

Choose the language

English

Italiano

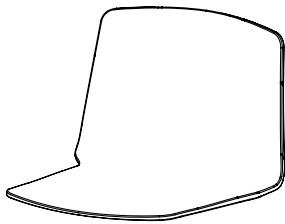
Deutsch

Français

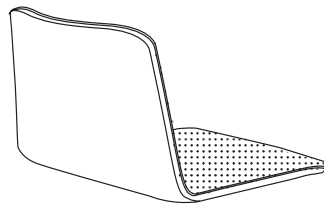
Español

RAMA

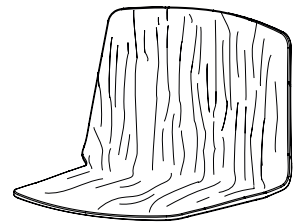
Components



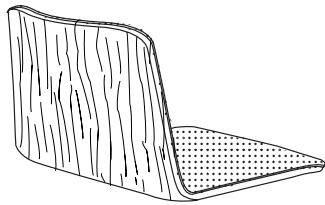
Polypropylene body



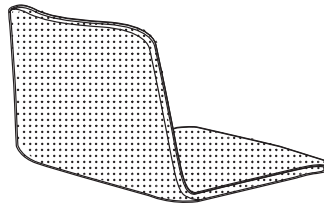
Front upholstered polypropylene body



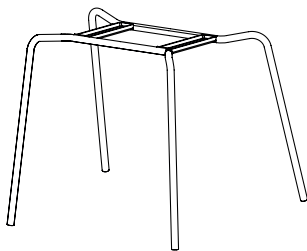
Wooden body



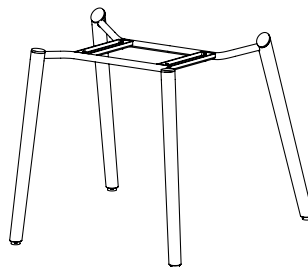
Front upholstered wooden body



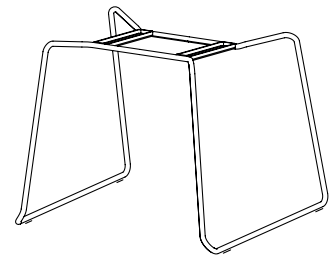
Fully upholstered body



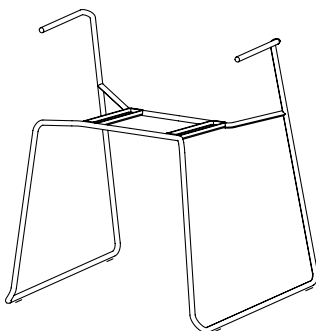
Four legs



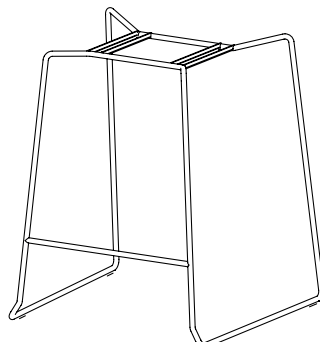
Four wooden and metal legs



Slide frame



Side frame with armrests



Stool

RAMA

Four legs

Base finish:

Polished chrome steel
Lacquered steel (in the same colour as the polypropylene)

Body finish:

White polypropylene (PP01)
Black polypropylene (PP03)
Beige polypropylene (PP05)
Light grey polypropylene (PP11)
Zinc yellow polypropylene (PP12)
Wood, european oak effect
Wood, black oak effect

Lips cushion cover finish:

A = COM (Customer fabric)
B = Field 2

Note:

Under-seat casing in plastic material in the following colours:
- lacquered steel base and polypropylene seat = casing in the same colour as the base.
- chrome steel base and polypropylene seat = casing in the same colour as the seat.
- lacquered steel base and wood seat = casing in the same colour as the base.
- chrome steel base and wood seat = black casing.

FEET:

Standard in hard plastic. On request we supply feet with felt insert for wooden floors.

STACKABILITY:

- Up to 10 pcs.
- On chair cart up to 12 pcs.

Lips cushion consumption: 0,5 ml (H. 140 cm).

Reinforced packaging, see inside cover.

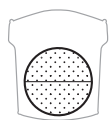
Code	Base	Body		pack	m ³	Kg
		Polypropylene	Wood			
05RAM13	Polished chrome steel, Lacquered steel		-	1	0,37	
05RAM35	Polished chrome steel, Lacquered steel	-				

4 chairs in each package (Kg. 28,2) / 3 chairs (Kg. 22,4) / 2 chairs (Kg. 16,6) / 1 chair (Kg. 10,8)

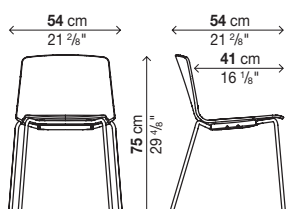
Optionals

Code	Description	Cover											pack	m ³	Kg
		A	B	C	D	E	F	G	H	L1	L2	L3			
20LIR01	LIPS-R removable cushion (not removable cover)			-	-	-	-	-	-	-	-	-	1	0,01	1
02IMP02	Stacking under-seat plate with joining element												1	0,02	1
02PIE06	Set of felt feet												-	-	-
20CAR03	Chair cart (black lacquered steel)												1	0,12	19

LIPS-R (20LIR01)

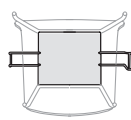


kg
0,6

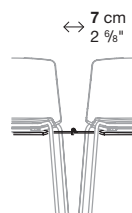


PP wood
kg kg
5,8 5,6

02IMP02



kg
+0,2



RAMA

Four legs - Front upholstered (not removable)

Base finish:

Polished chrome steel

Lacquered steel (in the same colour as the polypropylene)

Body finish:

White polypropylene (PP01)

Black polypropylene (PP03)

Beige polypropylene (PP05)

Light grey polypropylene (PP11)

Zinc yellow polypropylene (PP12)

Wood, european oak effect

Wood, black oak effect

Finish of cover:

A = Valencia (synthetic leather)

B = Field 2, COM (Customer fabric)

C = Merit, Remix 2, COL (Customer leather)

D = Clara 2, Patio, Curmi

E = Canvas 2, Hero, Regal, Scuba

F = Melange Nap, Steelcut Trio 3

G = Divina Melange 3, Hallingdal 65

H = Twill Weave

L1 = Coast (corrected grain leather)

L2 = Elmosoft (semi-aniline leather)

L3 = Elmotique (aniline leather)

Note:

Under-seat casing in plastic material in the following colours:

- lacquered steel base and polypropylene seat = casing in the same colour as the base.

- chrome steel base and polypropylene seat = casing in the same colour as the seat.

- lacquered steel base and wood seat = casing in the same colour as the base.

- chrome steel base and wood seat = black casing.

FEET:

Standard in hard plastic. On request we supply feet with felt insert for wooden floors.

STACKABILITY (only with stacking under-seat plate):

- Up to 4 pcs.

- On chair cart up to 4 pcs.

COM consumption: 0,45 ml (H. 140 cm).

COL consumption: 0,8 mq.

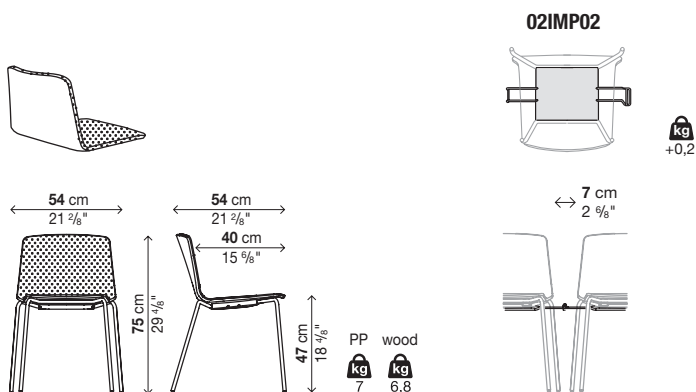
Reinforced packaging, see inside cover.

Code	Base	Body	Front cover										pack	m ³	Kg		
			A	B	C	D	E	F	G	H	L1	L2				L3	
05RAM14	Polished chrome steel, Lacquered steel	Polypropylene															
05RAM36	Polished chrome steel, Lacquered steel	Wood															1 0,37

2 chairs in each package (Kg. 19) / 1 chair (Kg. 12)

Optionals

Code	Description	pack	m ³	Kg
02IMP01	Stacking under-seat plate	-	-	-
02IMP02	Stacking under-seat plate with joining element	1	0,02	1
02PIE06	Set of felt feet	-	-	-
20CAR03	Chair cart (black lacquered steel)	1	0,12	19



RAMA

Four legs - Fully upholstered (not removable)

Base finish:

Polished chrome steel

Lacquered steel (in the same colour as the polypropylene)

Finish of cover:

A = Valencia (synthetic leather)

B = Field 2, COM (Customer fabric)

C = Merit, Remix 2, COL (Customer leather)

D = Clara 2, Patio, Curmi

E = Canvas 2, Hero, Regal, Scuba

F = Melange Nap, Steelcut Trio 3

G = Divina Melange 3, Hallingdal 65

H = Twill Weave

L1 = Coast (corrected grain leather)

L2 = Elmosoft (semi-aniline leather)

L3 = Elmotique (aniline leather)

Note:

Under-seat casing in plastic material in the following colours:

- lacquered steel base and entirely upholstered seat = casing in the same colour as the base.

- chrome steel base and entirely upholstered seat = black casing.

FEET:

Standard in hard plastic. On request we supply feet with felt insert for wooden floors.

STACKABILITY (only with stacking under-seat plate):

- Up to 4 pcs.

- On chair cart up to 4 pcs.

COM consumption: 0,9 ml (H. 140 cm).

COL consumption: 1,2 mq.

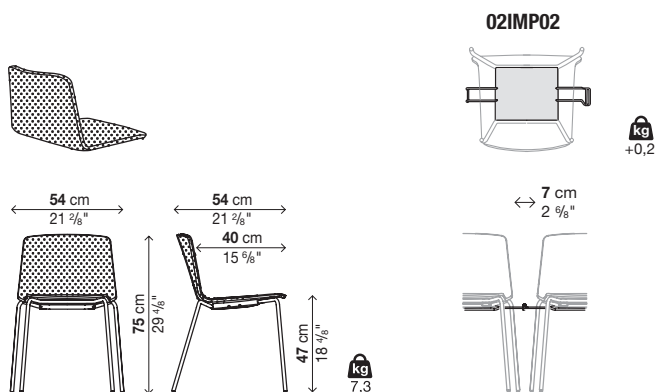
Reinforced packaging, see inside cover.

Code	Base	Cover											pack	m ³	Kg		
		A	B	C	D	E	F	G	H	L1	L2	L3					
05RAM37	Polished chrome steel, Lacquered steel															1	0,39

2 chairs in each package (Kg. 19,6) / 1 chair (Kg. 12,3)

Optionals

Code	Description	pack	m ³	Kg
02IMP01	Stacking under-seat plate	-	-	-
02IMP02	Stacking under-seat plate with joining element	1	0,02	1
02PIE06	Set of felt feet	-	-	-
20CAR03	Chair cart (black lacquered steel)	1	0,12	19



RAMA

Four wooden legs

Base finish:

Solid european oak
Lacquered solid wood (in the same colour as the polypropylene)

Body finish:

White polypropylene (PP01)
Black polypropylene (PP03)
Beige polypropylene (PP05)
Light grey polypropylene (PP11)
Zinc yellow polypropylene (PP12)
Wood, european oak effect
Wood, black oak effect

Lips cushion cover finish:

A = COM (Customer fabric)
B = Field 2

Note:

Under-seat casing in plastic material in the following colours:
- lacquered steel base and polypropylene seat = casing in the same colour as the base.
- chrome steel base and polypropylene seat = casing in the same colour as the seat.
- lacquered steel base and wood seat = casing in the same colour as the base.
- chrome steel base and wood seat = black casing.

FEET:

Standard in hard plastic. On request we supply feet with felt insert for wooden floors.

STACKABILITY:

- Up to 5 pcs.
- On chair cart up to 10 pcs.

Lips cushion consumption: 0,5 ml (H. 140 cm).

Reinforced packaging, see inside cover.

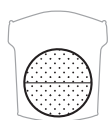
Code	Base	Body		pack	m³	Kg
		Polypropylene	Wood			
05RAM03	European oak, Lacquered wood		-	1	0,43	
05RAM29	European oak, Lacquered wood	-				

4 chairs in each package (Kg. 28,6) / 3 chairs (Kg. 22,7) / 2 chairs (Kg. 16,8) / 1 chair (Kg. 10,9)

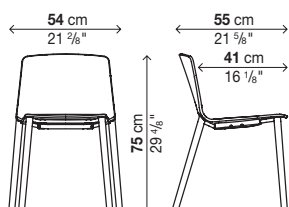
Optionals

Code	Description	Cover										pack	m³	Kg	
		A	B	C	D	E	F	G	H	L1	L2				L3
20LIR01	LIPS-R removable cushion (not removable cover)			-	-	-	-	-	-	-	-	-	1	0,01	1
02IMP02	Stacking under-seat plate with joining element												1	0,02	1
02PIE07	Set of felt feet												-	-	-
20CAR03	Chair cart (black lacquered steel)												1	0,12	19

LIPS-R (20LIR01)

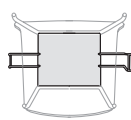


kg
0,6

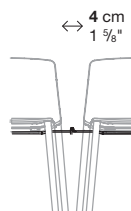


PP wood
kg 5,9 kg 5,7

02IMP02



kg
+0,2



RAMA

Four wooden legs - Front upholstered (not removable)

Base finish:

Solid european oak
Lacquered solid wood (in the same colour as the polypropylene)

Body finish:

White polypropylene (PP01)
Black polypropylene (PP03)
Beige polypropylene (PP05)
Light grey polypropylene (PP11)
Zinc yellow polypropylene (PP12)
Wood, european oak effect
Wood, black oak effect

Finish of cover:

A = Valencia (synthetic leather)
B = Field 2, COM (Customer fabric)
C = Merit, Remix 2, COL (Customer leather)
D = Clara 2, Patio, Curmi
E = Canvas 2, Hero, Regal, Scuba
F = Melange Nap, Steelcut Trio 3
G = Divina Melange 3, Hallingdal 65
H = Twill Weave
L1 = Coast (corrected grain leather)
L2 = Elmosoft (semi-aniline leather)
L3 = Elmotique (aniline leather)

Note:

Under-seat casing in plastic material in the following colours:
- lacquered steel base and polypropylene seat = casing in the same colour as the base.
- chrome steel base and polypropylene seat = casing in the same colour as the seat.
- lacquered steel base and wood seat = casing in the same colour as the base.
- chrome steel base and wood seat = black casing.

FEET:

Standard in hard plastic. On request we supply feet with felt insert for wooden floors.

STACKABILITY (only with stacking under-seat plate):

- Up to 4 pcs.
- On chair cart up to 4 pcs.

COM consumption: 0,45 ml (H. 140 cm).

COL consumption: 0,8 mq.

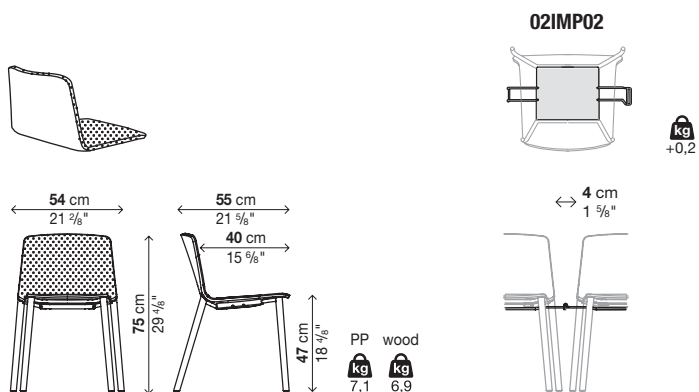
Reinforced packaging, see inside cover.

Code	Base	Body	Front cover											pack	m ³	Kg		
			A	B	C	D	E	F	G	H	L1	L2	L3					
05RAM04	European oak, Lacquered wood	Polypropylene																
05RAM30	European oak, Lacquered wood	Wood																1 0,43

2 chairs in each package (Kg. 19,2) / 1 chair (Kg. 12,1)

Optionals

Code	Description	pack	m ³	Kg
02IMP01	Stacking under-seat plate	-	-	-
02IMP02	Stacking under-seat plate with joining element	1	0,02	1
02PIE07	Set of felt feet	-	-	-
20CAR03	Chair cart (black lacquered steel)	1	0,12	19



RAMA

Four wooden legs - fully upholstered (not removable)

Base finish:

Solid european oak
Lacquered solid wood (in the same colour as the polypropylene)

Finish of cover:

A = Valencia (synthetic leather)
B = Field 2, COM (Customer fabric)
C = Merit, Remix 2, COL (Customer leather)
D = Clara 2, Patio, Curmi
E = Canvas 2, Hero, Regal, Scuba
F = Melange Nap, Steelcut Trio 3
G = Divina Melange 3, Hallingdal 65
H = Twill Weave
L1 = Coast (corrected grain leather)
L2 = Elmosoft (semi-aniline leather)
L3 = Elmotique (aniline leather)

Note:

Under-seat casing in plastic material in the following colours:
- lacquered steel base and entirely upholstered seat = casing in the same colour as the base.
- chrome steel base and entirely upholstered seat = black casing.

FEET:

Standard in hard plastic. On request we supply feet with felt insert for wooden floors.

STACKABILITY (only with stacking under-seat plate):

- Up to 4 pcs.
- On chair cart up to 4 pcs.

COM consumption: 0,9 ml (H. 140 cm).

COL consumption: 1,2 mq.

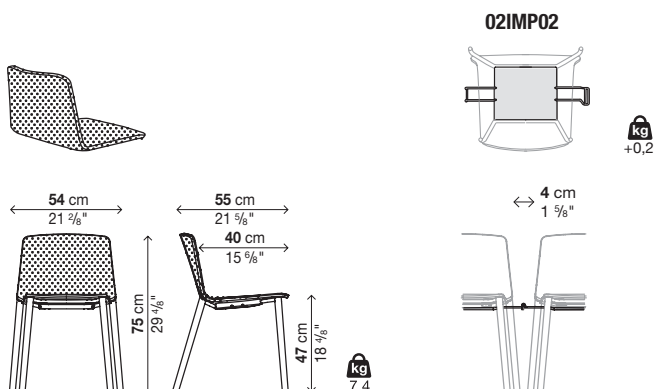
Reinforced packaging, see inside cover.

Code	Base	Cover											pack	m³	Kg	
		A	B	C	D	E	F	G	H	L1	L2	L3				
05RAM34	European oak, Lacquered wood														1	0,39

2 chairs in each package (Kg. 19,8) / 1 chair (Kg. 12,4)

Optionals

Code	Description	pack	m³	Kg
02IMP01	Stacking under-seat plate	-	-	-
02IMP02	Stacking under-seat plate with joining element	1	0,02	1
02PIE07	Set of felt feet	-	-	-
20CAR03	Chair cart (black lacquered steel)	1	0,12	19



RAMA

Slide frame

Base finish:

Polished chrome steel
Lacquered steel (in the same colour as the polypropylene)

Body finish:

White polypropylene (PP01)
Black polypropylene (PP03)
Beige polypropylene (PP05)
Light grey polypropylene (PP11)
Zinc yellow polypropylene (PP12)
Wood, european oak effect
Wood, black oak effect

Lips cushion cover finish:

A = COM (Customer fabric)
B = Field 2

Note:

Under-seat casing in plastic material in the following colours:
- lacquered steel base and polypropylene seat = casing in the same colour as the base.
- chrome steel base and polypropylene seat = casing in the same colour as the seat.
- lacquered steel base and wood seat = casing in the same colour as the base.
- chrome steel base and wood seat = black casing.

FEET:

Standard in hard plastic. On request we supply feet with felt insert for wooden floors.

STACKABILITY:

- Up to 10 pcs.
- On chair cart up to 15 pcs.

Lips cushion consumption: 0,5 ml (H. 140 cm).

Reinforced packaging, see inside cover.

Code	Base	Body		pack	m ³	Kg
		Polypropylene	Wood			
05RAM15	Lacquered steel		-	1	0,37	
	Polished chrome steel		-			
05RAM63	Lacquered steel	-				
	Polished chrome steel	-				

4 chairs in each package (Kg. 35,8) / 3 chairs (Kg. 28,1) / 2 chairs (Kg. 16,6) / 1 chair (Kg. 12,7)

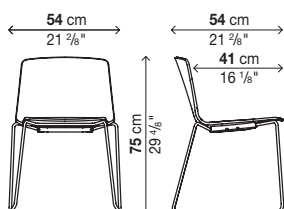
Optionals

Code	Description	Cover											pack	m ³	Kg	
		A	B	C	D	E	F	G	H	L1	L2	L3				
20LIR01	LIPS-R removable cushion (not removable cover)			-	-	-	-	-	-	-	-	-	-	1	0,01	1
02IMP02	Stacking under-seat plate with joining element													1	0,02	1
02PIE09	Set of felt feet													-	-	-
20CAR03	Chair cart (black lacquered steel)													1	0,12	19

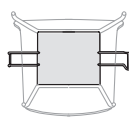
LIPS-R (20LIR01)



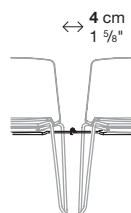
kg
0,6



02IMP02



kg
+0,2



PP wood
kg kg
7,7 7,5

RAMA

Slide frame - Front upholstered (not removable)

Base finish:

Polished chrome steel

Lacquered steel (in the same colour as the polypropylene)

Body finish:

White polypropylene (PP01)

Black polypropylene (PP03)

Beige polypropylene (PP05)

Light grey polypropylene (PP11)

Zinc yellow polypropylene (PP12)

Wood, european oak effect

Wood, black oak effect

Finish of cover:

A = Valencia (synthetic leather)

B = Field 2, COM (Customer fabric)

C = Merit, Remix 2, COL (Customer leather)

D = Clara 2, Patio, Curmi

E = Canvas 2, Hero, Regal, Scuba

F = Melange Nap, Steelcut Trio 3

G = Divina Melange 3, Hallingdal 65

H = Twill Weave

L1 = Coast (corrected grain leather)

L2 = Elmosoft (semi-aniline leather)

L3 = Elmotique (aniline leather)

Note:

Under-seat casing in plastic material in the following colours:

- lacquered steel base and polypropylene seat = casing in the same colour as the base.

- chrome steel base and polypropylene seat = casing in the same colour as the seat.

- lacquered steel base and wood seat = casing in the same colour as the base.

- chrome steel base and wood seat = black casing.

FEET:

Standard in hard plastic. On request we supply feet with felt insert for wooden floors.

STACKABILITY (only with stacking under-seat plate):

- Up to 4 pcs.

- On chair cart up to 4 pcs.

COM consumption: 0,45 ml (H. 140 cm).

COL consumption: 0,8 mq.

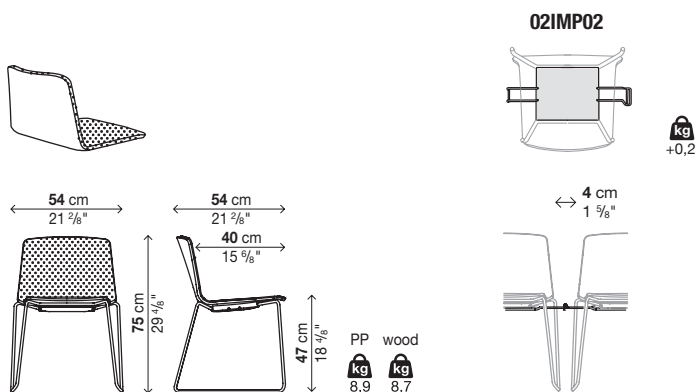
Reinforced packaging, see inside cover.

Code	Base	Body	Front cover											pack	m ³	Kg	
			A	B	C	D	E	F	G	H	L1	L2	L3				
05RAM16	Lacquered steel	Polypropylene															
	Polished chrome steel	Polypropylene															
05RAM38	Lacquered steel	Wood															1 0,37
	Polished chrome steel	Wood															

2 chairs in each package (Kg. 22,8) / 1 chair (Kg. 13,9)

Optionals

Code	Description	pack	m ³	Kg
02IMP01	Stacking under-seat plate	-	-	-
02IMP02	Stacking under-seat plate with joining element	1	0,02	1
02PIE09	Set of felt feet	-	-	-
20CAR03	Chair cart (black lacquered steel)	1	0,12	19



RAMA

Slide frame - Fully upholstered (not removable)

Base finish:

Polished chrome steel

Lacquered steel (in the same colour as the polypropylene)

Finish of cover:

A = Valencia (synthetic leather)

B = Field 2, COM (Customer fabric)

C = Merit, Remix 2, COL (Customer leather)

D = Clara 2, Patio, Curmi

E = Canvas 2, Hero, Regal, Scuba

F = Melange Nap, Steelcut Trio 3

G = Divina Melange 3, Hallingdal 65

H = Twill Weave

L1 = Coast (corrected grain leather)

L2 = Elmosoft (semi-aniline leather)

L3 = Elmotique (aniline leather)

Note:

Under-seat casing in plastic material in the following colours:

- lacquered steel base and entirely upholstered seat = casing in the same colour as the base.

- chrome steel base and entirely upholstered seat = black casing.

FEET:

Standard in hard plastic. On request we supply feet with felt insert for wooden floors.

STACKABILITY (only with stacking under-seat plate):

- Up to 4 pcs.

- On chair cart up to 4 pcs.

COM consumption: 0,9 ml (H. 140 cm).

COL consumption: 1,2 mq.

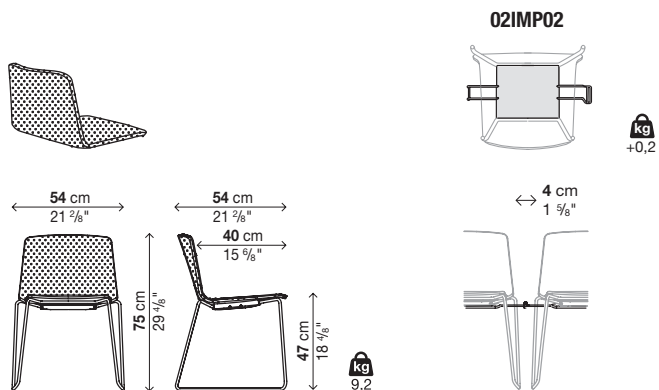
Reinforced packaging, see inside cover.

Code	Base	Cover											pack	m ²	Kg		
		A	B	C	D	E	F	G	H	L1	L2	L3					
05RAM39	Lacquered steel																
	Polished chrome steel																1 0,39

2 chairs in each package (Kg. 23,4) / 1 chair (Kg. 14,2)

Optionals

Code	Description	pack	m ²	Kg
02IMP01	Stacking under-seat plate	-	-	-
02IMP02	Stacking under-seat plate with joining element	1	0,02	1
02PIE09	Set of felt feet	-	-	-
20CAR03	Chair cart (black lacquered steel)	1	0,12	19



RAMA

Slide frame with armrests

Base finish:

Polished chrome steel
Lacquered steel (in the same colour as the polypropylene)

Body finish:

White polypropylene (PP01)
Black polypropylene (PP03)
Beige polypropylene (PP05)
Light grey polypropylene (PP11)
Zinc yellow polypropylene (PP12)
Wood, european oak effect
Wood, black oak effect

Lips cushion cover finish:

A = COM (Customer fabric)
B = Field 2

Note:

Under-seat casing and armrest in plastic material in the following colours:
- lacquered steel base and polypropylene seat = casing/armrest in the same colour as the base.
- chrome steel base and polypropylene seat = casing/armrest in the same colour as the seat.
- lacquered steel base and wood seat = casing/armrest in the same colour as the base.
- chrome steel base and wood seat = black casing/armrest.

FEET:

Standard in hard plastic. On request we supply feet with felt insert for wooden floors.

STACKABILITY:

- Up to 10 pcs.
- On chair cart up to 12 pcs.

Lips cushion consumption: 0,5 ml (H. 140 cm).

Reinforced packaging, see inside cover.

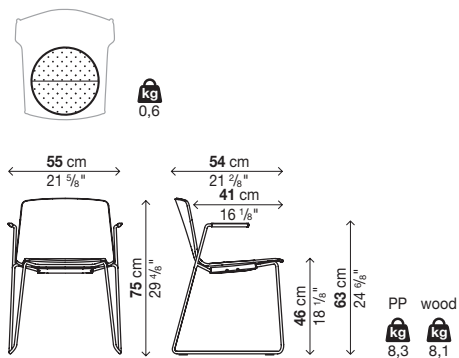
Code	Base	Body		pack	m ³	Kg
		Polypropylene	Wood			
05RAM48	Lacquered steel		-	1	0,37	
	Polished chrome steel		-			
05RAM50	Lacquered steel	-				
	Polished chrome steel	-				

4 chairs in each package (Kg. 38,2) / 3 chairs (Kg. 29,9) / 2 chairs (Kg. 21,6) / 1 chair (Kg. 13,3)

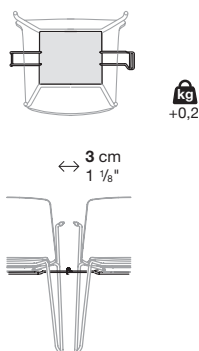
Optionals

Code	Description	Cover										pack	m ³	Kg	
		A	B	C	D	E	F	G	H	L1	L2				L3
20LIR01	LIPS-R removable cushion (not removable cover)			-	-	-	-	-	-	-	-	-	1	0,01	1
02IMP02	Stacking under-seat plate with joining element												1	0,02	1
02PIE09	Set of felt feet												-	-	-
20CAR03	Chair cart (black lacquered steel)												1	0,12	19

LIPS-R (20LIR01)



02IMP02



RAMA

Slide frame with armrests - Front upholstered (not removable)

Base finish:

Polished chrome steel
Lacquered steel (in the same colour as the polypropylene)

Body finish:

White polypropylene (PP01)
Black polypropylene (PP03)
Beige polypropylene (PP05)
Light grey polypropylene (PP11)
Zinc yellow polypropylene (PP12)
Wood, european oak effect
Wood, black oak effect

Finish of cover:

A = Valencia (synthetic leather)
B = Field 2, COM (Customer fabric)
C = Merit, Remix 2, COL (Customer leather)
D = Clara 2, Patio, Curmi
E = Canvas 2, Hero, Regal, Scuba
F = Melange Nap, Steelcut Trio 3
G = Divina Melange 3, Hallingdal 65
H = Twill Weave
L1 = Coast (corrected grain leather)
L2 = Elmosoft (semi-aniline leather)
L3 = Elmotique (aniline leather)

Note:

Under-seat casing and armrest in plastic material in the following colours:
- lacquered steel base and polypropylene seat = casing/armrest in the same colour as the base.
- chrome steel base and polypropylene seat = casing/armrest in the same colour as the seat.
- lacquered steel base and wood seat = casing/armrest in the same colour as the base.
- chrome steel base and wood seat = black casing/armrest.

FEET:

Standard in hard plastic. On request we supply feet with felt insert for wooden floors.

STACKABILITY (only with stacking under-seat plate):

- Up to 4 pcs.
- On chair cart up to 4 pcs.

COM consumption: 0,45 ml (H. 140 cm).

COL consumption: 0,8 mq.

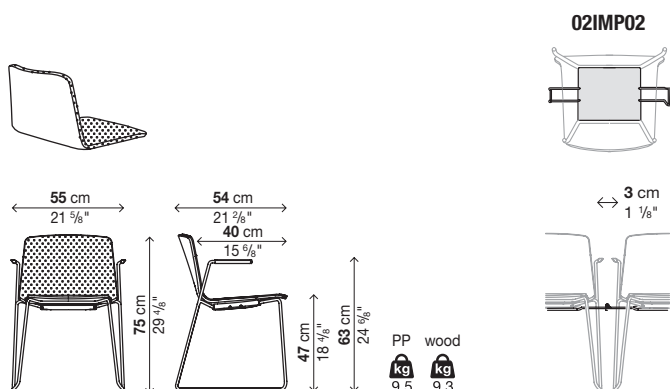
Reinforced packaging, see inside cover.

Code	Base	Body	Front cover										pack	m ³	Kg	
			A	B	C	D	E	F	G	H	L1	L2				L3
05RAM49	Lacquered steel	Polypropylene														
	Polished chrome steel	Polypropylene														
05RAM59	Lacquered steel	Wood														
	Polished chrome steel	Wood														

2 chairs in each package (Kg. 24) / 1 chair (Kg. 14,5)

Optionals

Code	Description	pack	m ³	Kg
02IMP01	Stacking under-seat plate	-	-	-
02IMP02	Stacking under-seat plate with joining element	1	0,02	1
02PIE09	Set of felt feet	-	-	-
20CAR03	Chair cart (black lacquered steel)	1	0,12	19



RAMA

Slide frame with armrests - Fully upholstered (not removable)

Base finish:

Polished chrome steel

Lacquered steel (in the same colour as the polypropylene)

Finish of cover:

A = Valencia (synthetic leather)

B = Field 2, COM (Customer fabric)

C = Merit, Remix 2, COL (Customer leather)

D = Clara 2, Patio, Curmi

E = Canvas 2, Hero, Regal, Scuba

F = Melange Nap, Steelcut Trio 3

G = Divina Melange 3, Hallingdal 65

H = Twill Weave

L1 = Coast (corrected grain leather)

L2 = Elmosoft (semi-aniline leather)

L3 = Elmotique (aniline leather)

Note:

Under-seat casing and armrest in plastic material in the following colours:

- lacquered steel base and entirely upholstered seat = casing/armrest in the same colour as the base.
- chrome steel base and entirely upholstered seat = black casing/armrest.

FEET:

Standard in hard plastic. On request we supply feet with felt insert for wooden floors.

STACKABILITY (only with stacking under-seat plate):

- Up to 4 pcs.
- On chair cart up to 4 pcs.

COM consumption: 0,9 ml (H. 140 cm).

COL consumption: 1,2 mq.

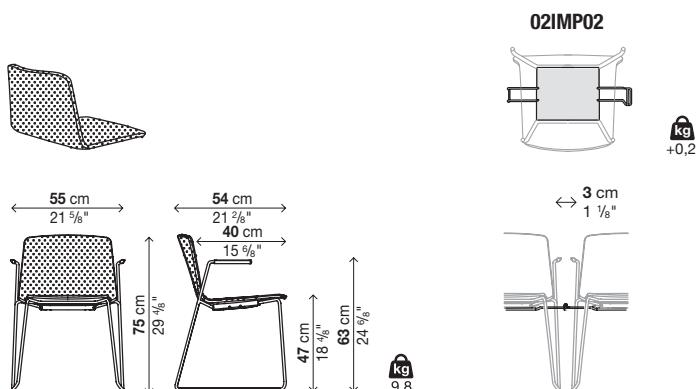
Reinforced packaging, see inside cover.

Code	Base	Cover											pack	m ²	Kg		
		A	B	C	D	E	F	G	H	L1	L2	L3					
05RAM60	Lacquered steel																
	Polished chrome steel																1 0,39

2 chairs in each package (Kg. 24,6) / 1 chair (Kg. 14,8)

Optionals

Code	Description	pack	m ²	Kg
02IMP01	Stacking under-seat plate	-	-	-
02IMP02	Stacking under-seat plate with joining element	1	0,02	1
02PIE09	Set of felt feet	-	-	-
20CAR03	Chair cart (black lacquered steel)	1	0,12	19



RAMA

Stool on slide frame

Base finish:

Polished chrome steel
Lacquered steel (in the same colour as the polypropylene)

Body finish:

White polypropylene (PP01)
Black polypropylene (PP03)
Beige polypropylene (PP05)
Light grey polypropylene (PP11)
Zinc yellow polypropylene (PP12)
Wood, european oak effect
Wood, black oak effect

Lips cushion cover finish:

A = COM (Customer fabric)
B = Field 2

Note:

FEET:
Standard in hard plastic. On request we supply feet with felt insert for wooden floors.

STACKABILITY:

- Up to 10 pcs.

SHIPPING INFO PRODUCTS DISASSEMBLED:

For orders with more than 8 units, the product is shipped unassembled: (only for stools without upholstered structure):
4 seats in polypropylene = 1 pack - Kg 17 / m³ 0,23.
4 4 wooden seats = 1 pack - Kg 19 / m³ 0,23.
4 bases H.66 = 1 pack - Kg 23 / m³ 0,24.
4 bases H.76 = 1 pack - Kg 25 / m³ 0,29.

Lips cushion consumption: 0,5 ml (H. 140 cm).

Reinforced packaging, see inside cover.

Low stool (seat height 66 cm)

Code	Base	Body		pack	m ³	Kg
		Polypropylene	Wood			
05RAM17	Lacquered steel		-	1	0,36	
	Polished chrome steel		-			
05RAM18	Lacquered steel	-				
	Polished chrome steel	-				

2 stools in each package (Kg. 21) / 1 stool (Kg. 12,5)

High stool (seat height 76 cm)

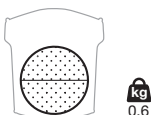
Code	Base	Body		pack	m ³	Kg
		Polypropylene	Wood			
05RAM40	Lacquered steel		-	1	0,40	
	Polished chrome steel		-			
05RAM44	Lacquered steel	-				
	Polished chrome steel	-				

2 stools in each package (Kg. 21,6) / 1 stool (Kg. 12,8)

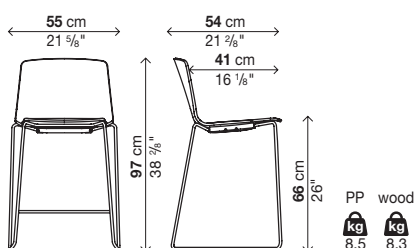
Optionals

Code	Description	Cover											pack	m ³	Kg	
		A	B	C	D	E	F	G	H	L1	L2	L3				
20LIR01	LIPS-R removable cushion (not removable cover)			-	-	-	-	-	-	-	-	-	-	1	0,01	1
02PIE09	Set of felt feet													-	-	-

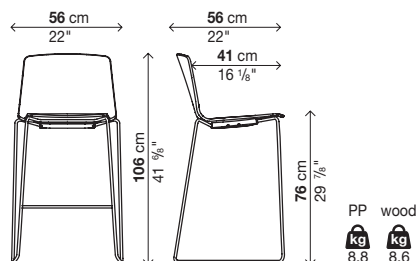
LIPS-R (20LIR01)



05RAM17/18



05RAM40/44



RAMA

Stool on slide frame - Front upholstered (not removable)

Base finish:

Polished chrome steel

Lacquered steel (in the same colour as the polypropylene)

Body finish:

White polypropylene (PP01)

Black polypropylene (PP03)

Beige polypropylene (PP05)

Light grey polypropylene (PP11)

Zinc yellow polypropylene (PP12)

Wood, european oak effect

Wood, black oak effect

Finish of cover:

A = Valencia (synthetic leather)

B = Field 2, COM (Customer fabric)

C = Merit, Remix 2, COL (Customer leather)

D = Clara 2, Patio, Curmi

E = Canvas 2, Hero, Regal, Scuba

F = Melange Nap, Steelcut Trio 3

G = Divina Melange 3, Hallingdal 65

H = Twill Weave

L1 = Coast (corrected grain leather)

L2 = Elmosoft (semi-aniline leather)

L3 = Elmotique (aniline leather)

Note:

Under-seat casing in plastic material in the following colours:

- lacquered steel base and polypropylene seat = casing in the same colour as the base.

- chrome steel base and polypropylene seat = casing in the same colour as the seat.

- lacquered steel base and wood seat = casing in the same colour as the base.

- chrome steel base and wood seat = black casing.

- lacquered steel base and entirely upholstered seat = casing in the same colour as the base.

- chrome steel base and entirely upholstered seat = black casing.

FEET:

Standard in hard plastic. On request we supply feet with felt insert for wooden floors.

STACKABILITY (only with stacking under-seat plate):

- Up to 4 pcs.

COM consumption: 0,45 ml (H. 140 cm).

COL consumption: 0,8 mq.

Reinforced packaging, see inside cover.

Low stool (seat height 66 cm)

Code	Base	Body	Front cover											pack	m ³	Kg		
			A	B	C	D	E	F	G	H	L1	L2	L3					
05RAM19	Lacquered steel	Polypropylene															1	0,37
	Polished chrome steel	Polypropylene																
05RAM20	Lacquered steel	Wood															1	0,37
	Polished chrome steel	Wood																

2 stools in each package (Kg. 23,4) / 1 stool (Kg. 13,7)

High stool (seat height 76 cm)

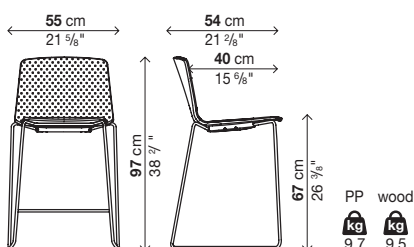
Code	Base	Body	Front cover											pack	m ³	Kg		
			A	B	C	D	E	F	G	H	L1	L2	L3					
05RAM45	Lacquered steel	Polypropylene															1	0,37
	Polished chrome steel	Polypropylene																
05RAM46	Lacquered steel	Wood															1	0,37
	Polished chrome steel	Wood																

2 stools in each package (Kg. 24) / 1 stool (Kg. 14)

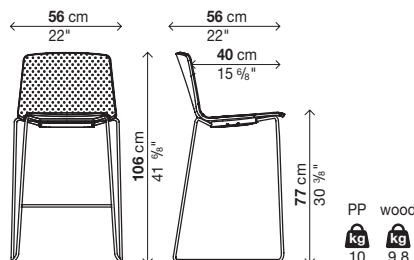
Optionals

Code	Description	pack	m ³	Kg
02IMP01	Stacking under-seat plate	-	-	-
02PIE09	Set of felt feet	-	-	-

05RAM19/20



05RAM45/46



RAMA

Stool on slide frame - Fully upholstered (not removable)

Base finish:

Polished chrome steel

Lacquered steel (in the same colour as the polypropylene)

Finish of cover:

A = Valencia (synthetic leather)

B = Field 2, COM (Customer fabric)

C = Merit, Remix 2, COL (Customer leather)

D = Clara 2, Patio, Curmi

E = Canvas 2, Hero, Regal, Scuba

F = Melange Nap, Steelcut Trio 3

G = Divina Melange 3, Hallingdal 65

H = Twill Weave

L1 = Coast (corrected grain leather)

L2 = Elmosoft (semi-aniline leather)

L3 = Elmotique (aniline leather)

Note:

Under-seat casing in plastic material in the following colours:

- lacquered steel base and entirely upholstered seat = casing in the same colour as the base.

- chrome steel base and entirely upholstered seat = black casing.

FEET:

Standard in hard plastic. On request we supply feet with felt insert for wooden floors.

STACKABILITY (only with stacking under-seat plate):

- Up to 4 pcs.

COM consumption: 0,9 ml (H. 140 cm).

COL consumption: 1,2 mq.

Reinforced packaging, see inside cover.

Low stool (seat height 66 cm)

Code	Base	Cover											pack	m ³	Kg			
		A	B	C	D	E	F	G	H	L1	L2	L3						
05RAM28	Lacquered steel																1	0,39
	Polished chrome steel																	

2 stools in each package (Kg. 24) / 1 stool (Kg. 14)

High stool (seat height 76 cm)

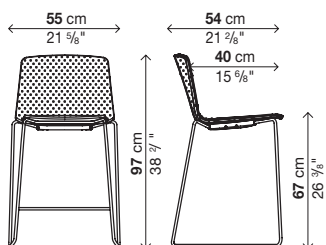
Code	Base	Cover											pack	m ³	Kg			
		A	B	C	D	E	F	G	H	L1	L2	L3						
05RAM47	Lacquered steel																1	0,39
	Polished chrome steel																	

2 stools in each package (Kg. 24,6) / 1 stool (Kg. 14,3)

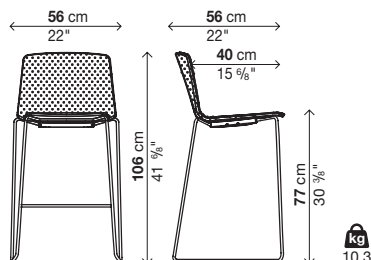
Optionals

Code	Description	pack	m ³	Kg
02IMPO1	Stacking under-seat plate	-	-	-
02PIE09	Set of felt feet	-	-	-

05RAM28

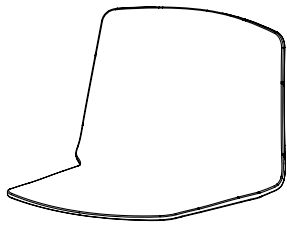


05RAM47

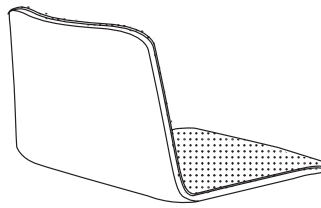


RAMA WOOD

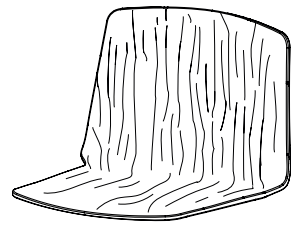
Components



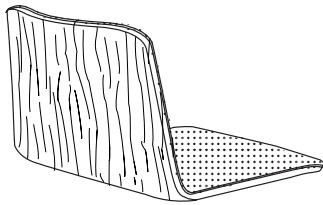
Polypropylene body



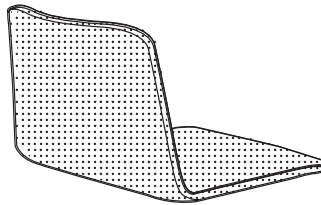
**Front upholstered
polypropylene body**



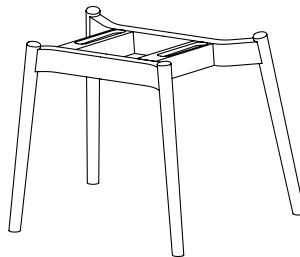
Wooden body



**Front upholstered
wooden body**



Fully upholstered body



Four solid wood legs

RAMA WOOD

Wooden base

Base finish:

Solid natural ash
European oak stained solid ash
Walnut stained solid ash
Black stained solid ash

Body finish:

White polypropylene (PP01)
Black polypropylene (PP03)
Beige polypropylene (PP05)
Light grey polypropylene (PP11)
Zinc yellow polypropylene (PP12)
Wood, ash effect
Wood, european oak effect
Wood, walnut effect
Wood, black oak effect

Lips cushion cover finish:

A = COM (Customer fabric)
B = Field 2

Note:

FEET:
Standard in hard plastic. On request we supply feet with felt insert for wooden floors.

STACKABILITY:

- Up to 4 pcs.
- On chair cart up to 4 pcs.

Lips cushion consumption: 0,5 ml (H. 140 cm).

Reinforced packaging, see inside cover.

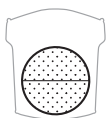
Code	Base	Body		pack	m ³	Kg
		Polypropylene	Wood			
05RAM05	Wood		-	1	0,38	
05RAM06	Wood	-				

2 chairs in each package (Kg. 14,2) / 1 chair (Kg. 8,6)

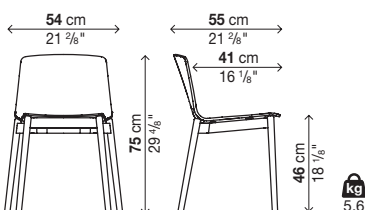
Optionals

Code	Description	Cover											pack	m ³	Kg
		A	B	C	D	E	F	G	H	L1	L2	L3			
20LIR01	LIPS-R removable cushion (not removable cover)			-	-	-	-	-	-	-	-	-	1	0,01	1
02PIE08	Set of felt feet												-	-	-
20CAR03	Chair cart (black lacquered steel)												1	0,12	19

LIPS-R (20LIR01)



0,6



RAMA WOOD

Wooden base - Front upholstered (not removable)

Base finish:

Solid natural ash
European oak stained solid ash
Walnut stained solid ash
Black stained solid ash

Body finish:

White polypropylene (PP01)
Black polypropylene (PP03)
Beige polypropylene (PP05)
Light grey polypropylene (PP11)
Zinc yellow polypropylene (PP12)
Wood, ash effect
Wood, european oak effect
Wood, walnut effect
Wood, black oak effect

Finish of cover:

A = Valencia (synthetic leather)
B = Field 2, COM (Customer fabric)
C = Merit, Remix 2, COL (Customer leather)
D = Clara 2, Patio, Curmi
E = Canvas 2, Hero, Regal, Scuba
F = Melange Nap, Steelcut Trio 3
G = Divina Melange 3, Hallingdal 65
H = Twill Weave
L1 = Coast (corrected grain leather)
L2 = Elmosoft (semi-aniline leather)
L3 = Elmotique (aniline leather)

Note:

FEET:
Standard in hard plastic. On request we supply feet with felt insert for wooden floors.

Seat NOT stackable.

COM consumption: 0,45 ml (H. 140 cm).
COL consumption: 0,8 mq.

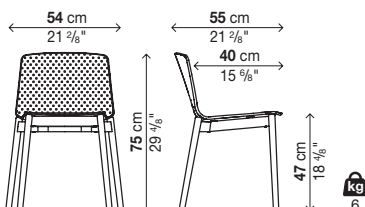
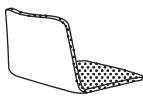
Reinforced packaging, see inside cover.

Code	Base	Body	Front cover											pack	m ³	Kg		
			A	B	C	D	E	F	G	H	L1	L2	L3					
05RAM07	Wood	Polypropylene															1	0,38
05RAM08	Wood	Wood																

2 chairs in each package (Kg. 15) / 1 chair (Kg. 9)

Optionals

Code	Description	pack	m ³	Kg
02PIE08	Set of felt feet	-	-	-



RAMA WOOD

Wooden base - Fully upholstered (not removable)

Base finish:

Solid natural ash
European oak stained solid ash
Walnut stained solid ash
Black stained solid ash

Finish of cover:

A = Valencia (synthetic leather)
B = Field 2, COM (Customer fabric)
C = Merit, Remix 2, COL (Customer leather)
D = Clara 2, Patio, Curmi
E = Canvas 2, Hero, Regal, Scuba
F = Melange Nap, Steelcut Trio 3
G = Divina Melange 3, Hallingdal 65
H = Twill Weave
L1 = Coast (corrected grain leather)
L2 = Elmosoft (semi-aniline leather)
L3 = Elmotique (aniline leather)

Note:

FEET:
Standard in hard plastic. On request we supply feet with felt insert for wooden floors.

Seat NOT stackable.

COM consumption: 0,9 ml (H. 140 cm).
COL consumption: 1,2 mq.

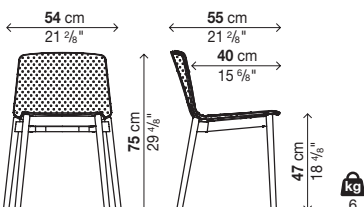
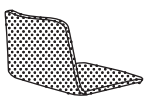
Reinforced packaging, see inside cover.

Code	Base	Cover											pack	m ²	Kg		
		A	B	C	D	E	F	G	H	L1	L2	L3					
05RAM09	Wood														1	0,38	

2 chairs in each package (Kg. 15) / 1 chair (Kg. 9)

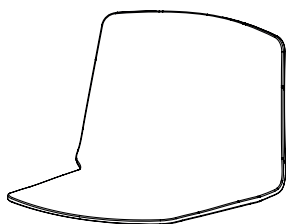
Optionals

Code	Description	pack	m ²	Kg
02PIE08	Set of felt feet	-	-	-

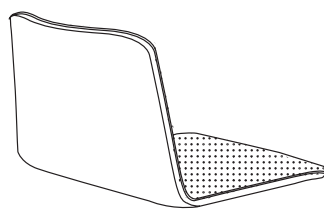


RAMA

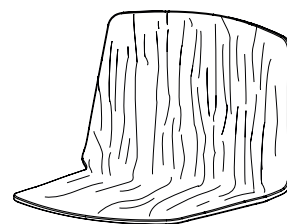
Legenda



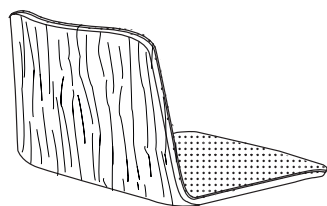
Scocca in polipropilene



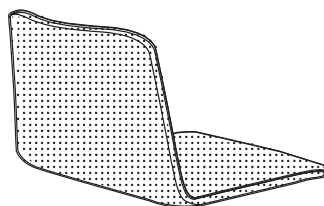
**Scocca in polipropilene
con rivestimento frontale**



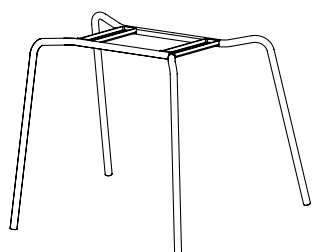
Scocca in legno



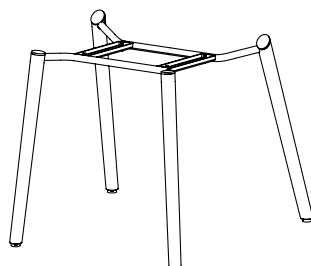
**Scocca in legno
con rivestimento frontale**



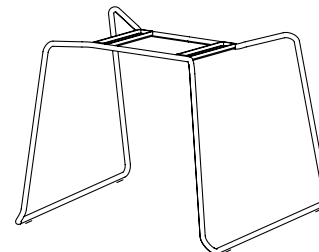
Scocca completamente rivestita



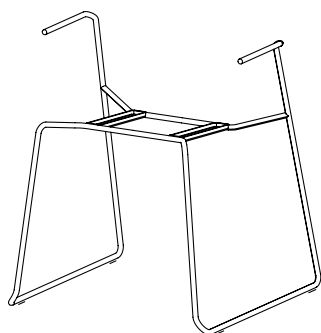
Quattro gambe



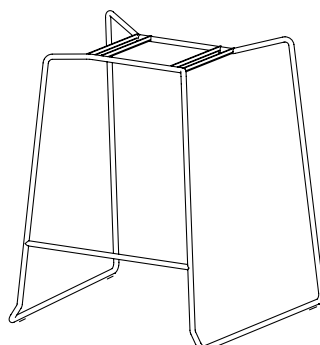
Quattro gambe legno e metallo



Slitta



Slitta con braccioli



Sgabello

RAMA

Quattro gambe

Finitura base:

Acciaio cromato
Acciaio verniciato (nei colori del polipropilene)

Finitura scocca:

Polipropilene bianco (PP01)
Polipropilene nero (PP03)
Polipropilene beige (PP05)
Polipropilene grigio chiaro (PP11)
Polipropilene giallo zinco (PP12)
Legno effetto frassino
Legno effetto rovere europeo
Legno effetto noce
Legno effetto rovere tinto nero

Finitura rivestimento cuscino Lips:

A = COM (tessuto Cliente)
B = Field 2

Note:

Carter sottosedile in materiale plastico nei seguenti colori:
- base acciaio verniciato e scocca polipropilene = carter in tinta con la base.
- base acciaio cromato e scocca polipropilene = carter in tinta con la scocca.
- base acciaio verniciato e scocca legno = carter in tinta con la base
- base acciaio cromato e scocca legno = carter nero.

PIEDINI:

Di serie in plastica dura. Su richiesta vengono forniti piedini con inserto in feltro per pavimenti in legno.

IMPILABILITÀ:

- Fino a 10 pz.
- Su carrello fino a 12 pz.

Consumo cuscino Lips: 0,5 ml (H. 140 cm).

Imballi rinforzati vedi interno di copertina.

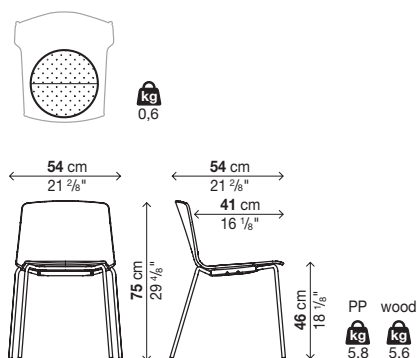
Codice	Base	Scocca		colli	m ³	Kg
		Polipropilene	Legno			
05RAM13	Acciaio cromato, Acciaio verniciato		-	1	0,37	
05RAM35	Acciaio cromato, Acciaio verniciato	-				

ogni collo contiene 4 sedie (Kg. 28,2) / 3 sedie (Kg. 22,4) / 2 sedie (Kg. 16,6) / 1 sedia (Kg. 10,8)

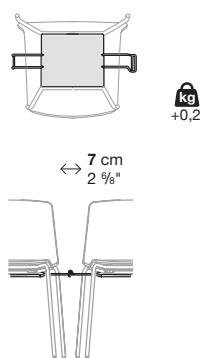
Optionals

Codice	Descrizione	Rivestimento											colli	m ³	Kg
		A	B	C	D	E	F	G	H	L1	L2	L3			
20LIR01	Cuscino rimovibile LIPS-R (non sfoderabile)			-	-	-	-	-	-	-	-	-	1	0,01	1
02IMPO2	Sottosedile di impilaggio con elemento di unione												1	0,02	1
02PIE06	Set di piedini in feltro												-	-	-
20CAR03	Carrello trasporto sedie (acciaio verniciato nero)												1	0,12	19

LIPS-R (20LIR01)



02IMPO2



RAMA

Quattro gambe - Rivestimento frontale (non sfoderabile)

Finitura base:

Acciaio cromato

Acciaio verniciato (nei colori del polipropilene)

Finitura scocca:

Polipropilene bianco (PP01)

Polipropilene nero (PP03)

Polipropilene beige (PP05)

Polipropilene grigio chiaro (PP11)

Polipropilene giallo zinco (PP12)

Legno effetto frassino

Legno effetto rovere europeo

Legno effetto noce

Legno effetto rovere tinto nero

Finitura rivestimento:

A = Valencia (pelle sintetica)

B = Field 2, COM (tessuto Cliente)

C = Merit, Remix 2, COL (pelle Cliente)

D = Clara 2, Curmi, Patio

E = Canvas 2, Hero, Regal, Scuba

F = Melange Nap, Steelcut Trio 3

G = Divina Melange 3, Hallingdal 65

H = Twill Weave

L1 = Coast (pelle fiore corretto)

L2 = Elmosoft (pelle semi-anilina)

L3 = Elmotique (pelle anilina)

Note:

Carter sottosedile in materiale plastico nei seguenti colori:

- base acciaio verniciato e scocca polipropilene = carter in tinta con la base.

- base acciaio cromato e scocca polipropilene = carter in tinta con la scocca.

- base acciaio verniciato e scocca legno = carter in tinta con la base

- base acciaio cromato e scocca legno = carter nero.

PIEDINI:

Di serie in plastica dura. Su richiesta vengono forniti piedini con inserto in feltro per pavimenti in legno.

IMPILABILITÀ (solo con sottosedile di impilaggio):

- Fino a 4 pz.

- Su carrello fino a 4 pz.

Consumo COM: 0,45 ml (H. 140 cm).

Consumo COL: 0,8 mq.

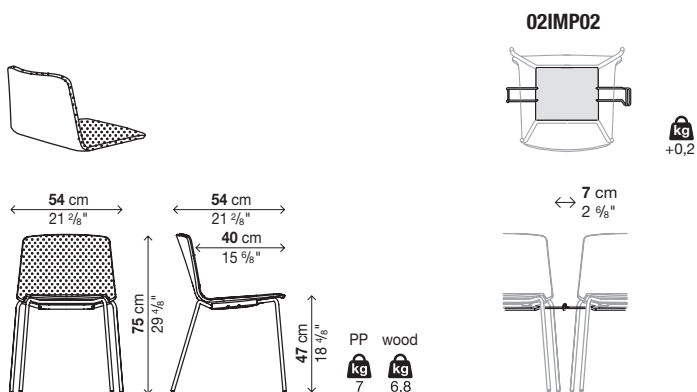
Imballi rinforzati vedi interno di copertina.

Codice	Base	Scocca	Rivestimento frontale										colli	m ²	Kg			
			A	B	C	D	E	F	G	H	L1	L2				L3		
05RAM14	Acciaio cromato, Acciaio verniciato	Polipropilene															1	0,37
05RAM36	Acciaio cromato, Acciaio verniciato	Legno																

ogni collo contiene 2 sedie (Kg. 19) / 1 sedia (Kg. 12)

Optionals

Codice	Descrizione	colli	m ²	Kg
02IMP01	Sottosedile di impilaggio	-	-	-
02IMP02	Sottosedile di impilaggio con elemento di unione	1	0,02	1
02PIE06	Set di piedini in feltro	-	-	-
20CAR03	Carrello trasporto sedie (acciaio verniciato nero)	1	0,12	19



RAMA

Quattro gambe - Completamente rivestita (non sfoderabile)

Finitura base:

Acciaio cromato

Acciaio verniciato (nei colori del polipropilene)

Finitura rivestimento:

A = Valencia (pelle sintetica)

B = Field 2, COM (tessuto Cliente)

C = Merit, Remix 2, COL (pelle Cliente)

D = Clara 2, Curmi, Patio

E = Canvas 2, Hero, Regal, Scuba

F = Melange Nap, Steelcut Trio 3

G = Divina Melange 3, Hallingdal 65

H = Twill Weave

L1 = Coast (pelle fiore corretto)

L2 = Elmosoft (pelle semi-anilina)

L3 = Elmotique (pelle anilina)

Note:

Carter sottosedile in materiale plastico nei seguenti colori:

- base acciaio verniciato e scocca completamente rivestita = carter in tinta con la base.

- base acciaio cromato e scocca completamente rivestita = carter nero.

PIEDINI:

Di serie in plastica dura. Su richiesta vengono forniti piedini con inserto in feltro per pavimenti in legno.

IMPILABILITÀ (solo con sottosedile di impilaggio):

- Fino a 4 pz.

- Su carrello fino a 4 pz.

Consumo COM: 0,9 ml (H. 140 cm).

Consumo COL: 1,2 mq.

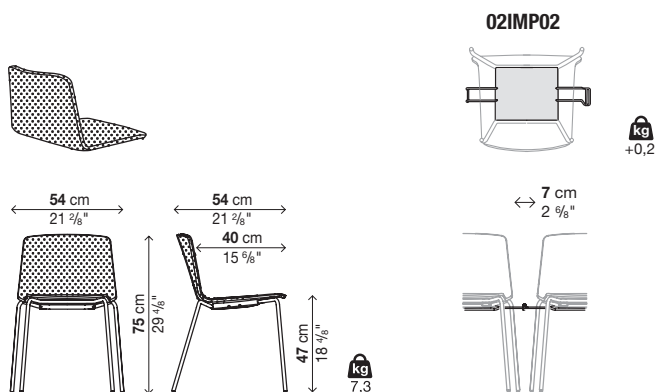
Imballi rinforzati vedi interno di copertina.

Codice	Base	Rivestimento											colli	m ³	Kg		
		A	B	C	D	E	F	G	H	L1	L2	L3					
05RAM37	Acciaio cromato, Acciaio verniciato															1	0,39

ogni collo contiene 2 sedie (Kg. 19,6) / 1 sedia (Kg. 12,3)

Optionals

Codice	Descrizione	colli	m ³	Kg
02IMP01	Sottosedile di impilaggio	-	-	-
02IMP02	Sottosedile di impilaggio con elemento di unione	1	0,02	1
02PIE06	Set di piedini in feltro	-	-	-
20CAR03	Carrello trasporto sedie (acciaio verniciato nero)	1	0,12	19



RAMA

Quattro gambe legno

Finitura base:

Legno massello di rovere europeo
Legno massello verniciato (nei colori del polipropilene)

Finitura scocca:

Polipropilene bianco (PP01)
Polipropilene nero (PP03)
Polipropilene beige (PP05)
Polipropilene grigio chiaro (PP11)
Polipropilene giallo zinco (PP12)
Legno effetto rovere europeo
Legno effetto rovere tinto nero

Finitura rivestimento cuscino Lips:

A = COM (tessuto Cliente)
B = Field 2

Note:

Carter sottosedile in materiale plastico nei seguenti colori:
- base legno naturale e scocca polipropilene = carter in tinta con la scocca.
- base legno verniciato e scocca polipropilene = carter in tinta con la base.
- base legno naturale e scocca legno = carter nero.
- base legno verniciato e scocca legno = carter in tinta con la base.

PIEDINI:

Di serie in plastica dura. Su richiesta vengono forniti piedini con inserto in feltro per pavimenti in legno.

IMPILABILITÀ:

- Fino a 5 pz.
- Su carrello fino a 10 pz.

Consumo cuscino Lips: 0,5 ml (H. 140 cm).

Imballi rinforzati vedi interno di copertina.

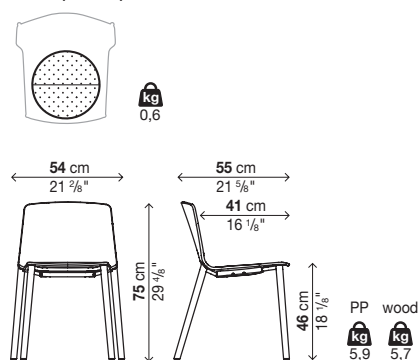
Codice	Base	Scocca		colli	m ³	Kg
		Polipropilene	Legno			
05RAM03	Rovere europeo, Legno verniciato		-	1	0,43	
05RAM29	Rovere europeo, Legno verniciato	-				

ogni collo contiene 4 sedie (Kg. 28,6) / 3 sedie (Kg. 22,7) / 2 sedie (Kg. 16,8) / 1 sedia (Kg. 10,9)

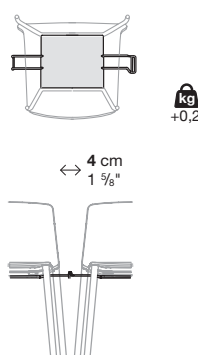
Optionals

Codice	Descrizione	Rivestimento										colli	m ³	Kg	
		A	B	C	D	E	F	G	H	L1	L2				L3
20LIR01	Cuscino rimovibile LIPS-R (non sfoderabile)			-	-	-	-	-	-	-	-	-	1	0,01	1
02IMP02	Sottosedile di impilaggio con elemento di unione												1	0,02	1
02PIE07	Set di piedini in feltro												-	-	-
20CAR03	Carrello trasporto sedie (acciaio verniciato nero)												1	0,12	19

LIPS-R (20LIR01)



02IMP02



RAMA

Quattro gambe legno - Rivestimento frontale (non sfoderabile)

Finitura base:

Legno massello di rovere europeo
 Legno massello verniciato (nei colori del polipropilene)

Finitura scocca:

Polipropilene bianco (PP01)
 Polipropilene nero (PP03)
 Polipropilene beige (PP05)
 Polipropilene grigio chiaro (PP11)
 Polipropilene giallo zinco (PP12)
 Legno effetto rovere europeo
 Legno effetto rovere tinto nero

Finitura rivestimento:

A = Valencia (pelle sintetica)
 B = Field 2, COM (tessuto Cliente)
 C = Merit, Remix 2, COL (pelle Cliente)
 D = Clara 2, Curmi, Patio
 E = Canvas 2, Hero, Regal, Scuba
 F = Melange Nap, Steelcut Trio 3
 G = Divina Melange 3, Hallingdal 65
 H = Twill Weave
 L1 = Coast (pelle fiore corretto)
 L2 = Elmosoft (pelle semi-anilina)
 L3 = Elmotique (pelle anilina)

Note:

Carter sottosedile in materiale plastico nei seguenti colori:
 - base legno naturale e scocca polipropilene = carter in tinta con la scocca.
 - base legno verniciato e scocca polipropilene = carter in tinta con la base.
 - base legno naturale e scocca legno = carter nero.
 - base legno verniciato e scocca legno = carter in tinta con la base.

PIEDINI:

Di serie in plastica dura. Su richiesta vengono forniti piedini con inserto in feltro per pavimenti in legno.

IMPILABILITÀ (solo con sottosedile di impilaggio):

- Fino a 4 pz.
 - Su carrello fino a 4 pz.

Consumo COM: 0,45 ml (H. 140 cm).

Consumo COL: 0,8 mq.

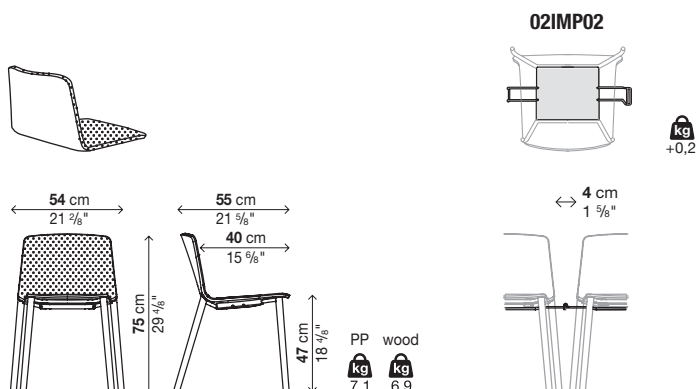
Imballi rinforzati vedi interno di copertina.

Codice	Base	Scocca	Rivestimento frontale											colli	m ³	Kg		
			A	B	C	D	E	F	G	H	L1	L2	L3					
05RAM04	Rovere europeo, Legno verniciato	Polipropilene															1	0,43
05RAM30	Rovere europeo, Legno verniciato	Legno																

ogni collo contiene 2 sedie (Kg. 19,2) / 1 sedia (Kg. 12,1)

Optionals

Codice	Descrizione	colli	m ³	Kg
02IMP01	Sottosedile di impilaggio	-	-	-
02IMP02	Sottosedile di impilaggio con elemento di unione	1	0,02	1
02PIE07	Set di piedini in feltro	-	-	-
20CAR03	Carrello trasporto sedie (acciaio verniciato nero)	1	0,12	19



RAMA

Quattro gambe legno - Completamente rivestita (non sfoderabile)

Finitura base:

Legno massello di rovere europeo

Legno massello verniciato (nei colori del polipropilene)

Finitura rivestimento:

A = Valencia (pelle sintetica)

B = Field 2, COM (tessuto Cliente)

C = Merit, Remix 2, COL (pelle Cliente)

D = Clara 2, Curmi, Patio

E = Canvas 2, Hero, Regal, Scuba

F = Melange Nap, Steelcut Trio 3

G = Divina Melange 3, Hallingdal 65

H = Twill Weave

L1 = Coast (pelle fiore corretto)

L2 = Elmosoft (pelle semi-anilina)

L3 = Elmotique (pelle anilina)

Note:

Carter sottosedile in materiale plastico nei seguenti colori:

- base legno naturale e scocca completamente rivestita = carter nero.

- base legno verniciato e scocca completamente rivestita = carter in tinta con la base.

PIEDINI:

Di serie in plastica dura. Su richiesta vengono forniti piedini con inserto in feltro per pavimenti in legno.

IMPILABILITÀ (solo con sottosedile di impilaggio):

- Fino a 4 pz.

- Su carrello fino a 4 pz.

Consumo COM: 0,9 ml (H. 140 cm).

Consumo COL: 1,2 mq.

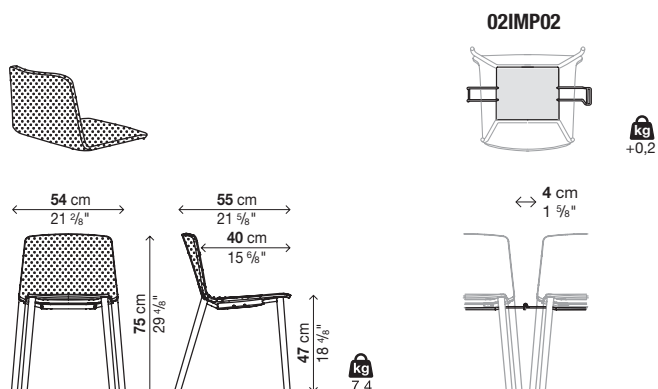
Imballi rinforzati vedi interno di copertina.

Codice	Base	Rivestimento											colli	m ³	Kg		
		A	B	C	D	E	F	G	H	L1	L2	L3					
05RAM34	Rovere europeo, Legno verniciato															1	0,39

ogni collo contiene 2 sedie (Kg. 19,8) / 1 sedia (Kg. 12,4)

Optionals

Codice	Descrizione	colli	m ³	Kg
02IMP01	Sottosedile di impilaggio	-	-	-
02IMP02	Sottosedile di impilaggio con elemento di unione	1	0,02	1
02PIE07	Set di piedini in feltro	-	-	-
20CAR03	Carrello trasporto sedie (acciaio verniciato nero)	1	0,12	19



RAMA

Slitta

Finitura base:

Acciaio cromato
Acciaio verniciato (nei colori del polipropilene)

Finitura scocca:

Polipropilene bianco (PP01)
Polipropilene nero (PP03)
Polipropilene beige (PP05)
Polipropilene grigio chiaro (PP11)
Polipropilene giallo zinco (PP12)
Legno effetto frassino
Legno effetto rovere europeo
Legno effetto noce
Legno effetto rovere tinto nero

Finitura rivestimento cuscino Lips:

A = COM (tessuto Cliente)
B = Field 2

Note:

Carter sottosedile in materiale plastico nei seguenti colori:
- base acciaio verniciato e scocca polipropilene = carter in tinta con la base.
- base acciaio cromato e scocca polipropilene = carter in tinta con la scocca.
- base acciaio verniciato e scocca legno = carter in tinta con la base
- base acciaio cromato e scocca legno = carter nero.

PIEDINI:

Di serie in plastica dura. Su richiesta vengono forniti piedini con inserto in feltro per pavimenti in legno.

IMPILABILITÀ:

- Fino a 10 pz.
- Su carrello fino a 15 pz.

Consumo cuscino Lips: 0,5 ml (H. 140 cm).

Imballi rinforzati vedi interno di copertina.

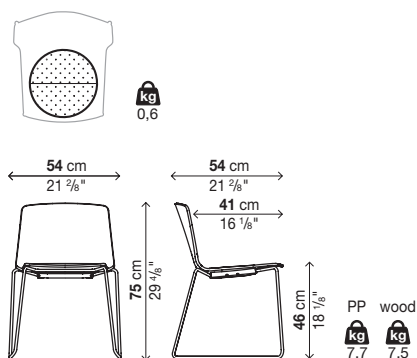
Codice	Base	Scocca		colli	m ³	Kg
		Polipropilene	Legno			
05RAM15	Acciaio verniciato		-	1	0,37	
	Acciaio cromato		-			
05RAM63	Acciaio verniciato	-				
	Acciaio cromato	-				

ogni collo contiene 4 sedie (Kg. 35,8) / 3 sedie (Kg. 28,1) / 2 sedie (Kg. 16,6) / 1 sedia (Kg. 12,7)

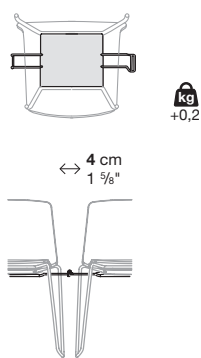
Optionals

Codice	Descrizione	Rivestimento											colli	m ³	Kg	
		A	B	C	D	E	F	G	H	L1	L2	L3				
20LIR01	Cuscino rimovibile LIPS-R (non sfoderabile)			-	-	-	-	-	-	-	-	-	-	1	0,01	1
02IMP02	Sottosedile di impilaggio con elemento di unione													1	0,02	1
02PIE09	Set di piedini in feltro													-	-	-
20CAR03	Carrello trasporto sedie (acciaio verniciato nero)													1	0,12	19

LIPS-R (20LIR01)



02IMP02



RAMA

Slitta - Rivestimento frontale (non sfoderabile)

Finitura base:

Acciaio cromato

Acciaio verniciato (nei colori del polipropilene)

Finitura scocca:

Polipropilene bianco (PP01)

Polipropilene nero (PP03)

Polipropilene beige (PP05)

Polipropilene grigio chiaro (PP11)

Polipropilene giallo zinco (PP12)

Legno effetto frassino

Legno effetto rovere europeo

Legno effetto noce

Legno effetto rovere tinto nero

Finitura rivestimento:

A = Valencia (pelle sintetica)

B = Field 2, COM (tessuto Cliente)

C = Merit, Remix 2, COL (pelle Cliente)

D = Clara 2, Curmi, Patio

E = Canvas 2, Hero, Regal, Scuba

F = Melange Nap, Steelcut Trio 3

G = Divina Melange 3, Hallingdal 65

H = Twill Weave

L1 = Coast (pelle fiore corretto)

L2 = Elmosoft (pelle semi-anilina)

L3 = Elmotique (pelle anilina)

Note:

Carter sottosedile in materiale plastico nei seguenti colori:

- base acciaio verniciato e scocca polipropilene = carter in tinta con la base.

- base acciaio cromato e scocca polipropilene = carter in tinta con la scocca.

- base acciaio verniciato e scocca legno = carter in tinta con la base

- base acciaio cromato e scocca legno = carter nero.

PIEDINI:

Di serie in plastica dura. Su richiesta vengono forniti piedini con inserto in feltro per pavimenti in legno.

IMPILABILITÀ (solo con sottosedile di impilaggio):

- Fino a 4 pz.

- Su carrello fino a 4 pz.

Consumo COM: 0,45 ml (H. 140 cm).

Consumo COL: 0,8 mq.

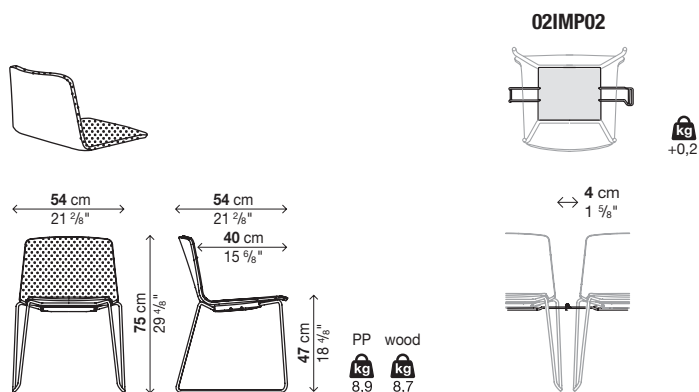
Imballi rinforzati vedi interno di copertina.

Codice	Base	Scocca	Rivestimento frontale											colli	m ³	Kg		
			A	B	C	D	E	F	G	H	L1	L2	L3					
05RAM16	Acciaio verniciato	Polipropilene															1	0,37
	Acciaio cromato	Polipropilene																
05RAM38	Acciaio verniciato	Legno															1	0,37
	Acciaio cromato	Legno																

ogni collo contiene 2 sedie (Kg. 22,8) / 1 sedia (Kg. 13,9)

Optionals

Codice	Descrizione	colli	m ³	Kg
02IMP01	Sottosedile di impilaggio	-	-	-
02IMP02	Sottosedile di impilaggio con elemento di unione	1	0,02	1
02PIE09	Set di piedini in feltro	-	-	-
20CAR03	Carrello trasporto sedie (acciaio verniciato nero)	1	0,12	19



RAMA

Slitta - Completamente rivestita (non sfoderabile)

Finitura base:

Acciaio cromato

Acciaio verniciato (nei colori del polipropilene)

Finitura rivestimento:

A = Valencia (pelle sintetica)

B = Field 2, COM (tessuto Cliente)

C = Merit, Remix 2, COL (pelle Cliente)

D = Clara 2, Curmi, Patio

E = Canvas 2, Hero, Regal, Scuba

F = Melange Nap, Steelcut Trio 3

G = Divina Melange 3, Hallingdal 65

H = Twill Weave

L1 = Coast (pelle fiore corretto)

L2 = Elmosoft (pelle semi-anilina)

L3 = Elmotique (pelle anilina)

Note:

Carter sottosedile in materiale plastico nei seguenti colori:

- base acciaio verniciato e scocca completamente rivestita = carter in tinta con la base.

- base acciaio cromato e scocca completamente rivestita = carter nero.

PIEDINI:

Di serie in plastica dura. Su richiesta vengono forniti piedini con inserto in feltro per pavimenti in legno.

IMPILABILITÀ (solo con sottosedile di impilaggio):

- Fino a 4 pz.

- Su carrello fino a 4 pz.

Consumo COM: 0,9 ml (H. 140 cm).

Consumo COL: 1,2 mq.

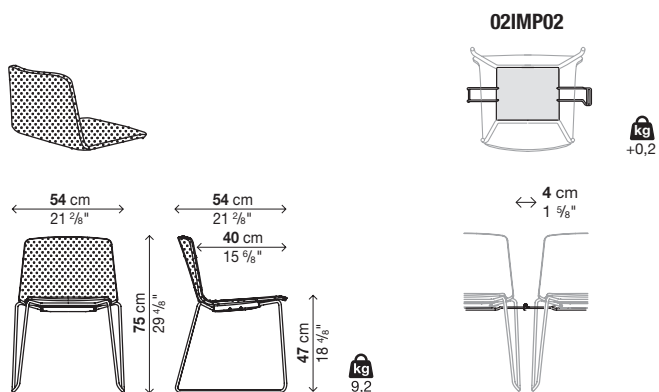
Imballi rinforzati vedi interno di copertina.

Codice	Base	Rivestimento											colli	m ²	Kg			
		A	B	C	D	E	F	G	H	L1	L2	L3						
05RAM39	Acciaio verniciato																1	0,39
	Acciaio cromato																	

ogni collo contiene 2 sedie (Kg. 23,4) / 1 sedia (Kg. 14,2)

Optionals

Codice	Descrizione	colli	m ²	Kg
02IMP01	Sottosedile di impilaggio	-	-	-
02IMP02	Sottosedile di impilaggio con elemento di unione	1	0,02	1
02PIE09	Set di piedini in feltro	-	-	-
20CAR03	Carrello trasporto sedie (acciaio verniciato nero)	1	0,12	19



RAMA

Slitta con braccioli

Finitura base:

Acciaio cromato
Acciaio verniciato (nei colori del polipropilene)

Finitura scocca:

Polipropilene bianco (PP01)
Polipropilene nero (PP03)
Polipropilene beige (PP05)
Polipropilene grigio chiaro (PP11)
Polipropilene giallo zinco (PP12)
Legno effetto frassino
Legno effetto rovere europeo
Legno effetto noce
Legno effetto rovere tinto nero

Finitura rivestimento cuscino Lips:

A = COM (tessuto Cliente)
B = Field 2

Note:

Carter sottosedile e bracciolo in materiale plastico nei seguenti colori:
- base acciaio verniciato e scocca polipropilene = carter/bracciolo in tinta con la base.
- base acciaio cromato e scocca polipropilene = carter/bracciolo in tinta con la scocca.
- base acciaio verniciato e scocca legno = carter/bracciolo in tinta con la base.
- base acciaio cromato e scocca legno = carter/bracciolo nero.

PIEDINI:

Di serie in plastica dura. Su richiesta vengono forniti piedini con inserto in feltro per pavimenti in legno.

IMPILABILITÀ:

- Fino a 10 pz.
- Su carrello fino a 12 pz.

Consumo cuscino Lips: 0,5 ml (H. 140 cm).

Imballi rinforzati vedi interno di copertina.

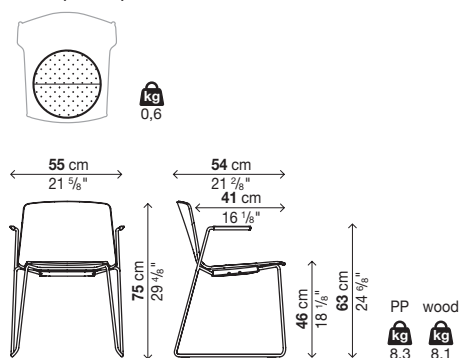
Codice	Base	Scocca		colli	m³	Kg
		Polipropilene	Legno			
05RAM48	Acciaio verniciato		-	1	0,37	
	Acciaio cromato		-			
05RAM50	Acciaio verniciato	-				
	Acciaio cromato	-				

ogni collo contiene 4 sedie (Kg. 38,2) / 3 sedie (Kg. 29,9) / 2 sedie (Kg. 21,6) / 1 sedia (Kg. 13,3)

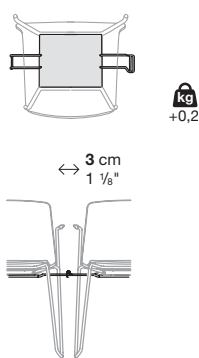
Optionals

Codice	Descrizione	Rivestimento											colli	m³	Kg
		A	B	C	D	E	F	G	H	L1	L2	L3			
20LIR01	Cuscino rimovibile LIPS-R (non sfoderabile)			-	-	-	-	-	-	-	-	-	1	0,01	1
02IMP02	Sottosedile di impilaggio con elemento di unione												1	0,02	1
02PIE09	Set di piedini in feltro												-	-	-
20CAR03	Carrello trasporto sedie (acciaio verniciato nero)												1	0,12	19

LIPS-R (20LIR01)



02IMP02



RAMA

Slitta con braccioli - Rivestimento frontale (non sfoderabile)

Finitura base:

Acciaio cromato
Acciaio verniciato (nei colori del polipropilene)

Finitura scocca:

Polipropilene bianco (PP01)
Polipropilene nero (PP03)
Polipropilene beige (PP05)
Polipropilene grigio chiaro (PP11)
Polipropilene giallo zinco (PP12)
Legno effetto frassino
Legno effetto rovere europeo
Legno effetto noce
Legno effetto rovere tinto nero

Finitura rivestimento:

A = Valencia (pelle sintetica)
B = Field 2, COM (tessuto Cliente)
C = Merit, Remix 2, COL (pelle Cliente)
D = Clara 2, Curmi, Patio
E = Canvas 2, Hero, Regal, Scuba
F = Melange Nap, Steelcut Trio 3
G = Divina Melange 3, Hallingdal 65
H = Twill Weave
L1 = Coast (pelle fiore corretto)
L2 = Elmosoft (pelle semi-anilina)
L3 = Elmotique (pelle anilina)

Note:

Carter sottosedile e bracciolo in materiale plastico nei seguenti colori:
- base acciaio verniciato e scocca polipropilene = carter/bracciolo in tinta con la base.
- base acciaio cromato e scocca polipropilene = carter/bracciolo in tinta con la scocca.
- base acciaio verniciato e scocca legno = carter/bracciolo in tinta con la base.
- base acciaio cromato e scocca legno = carter/bracciolo nero.

PIEDINI:

Di serie in plastica dura. Su richiesta vengono forniti piedini con inserto in feltro per pavimenti in legno.

IMPILABILITÀ (solo con sottosedile di impilaggio):

- Fino a 4 pz.
- Su carrello fino a 4 pz.

Consumo COM: 0,45 ml (H. 140 cm).

Consumo COL: 0,8 mq.

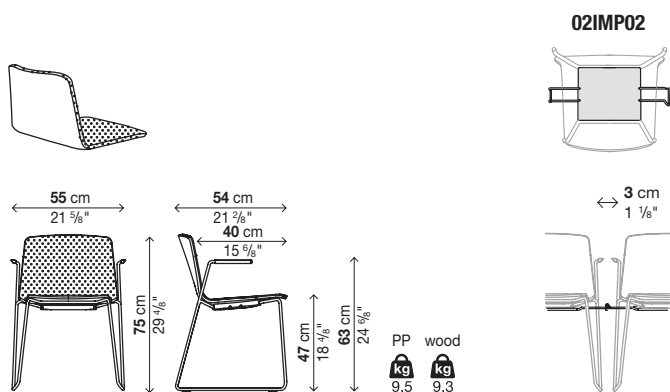
Imballi rinforzati vedi interno di copertina.

Codice	Base	Scocca	Rivestimento frontale										colli	m ³	Kg		
			A	B	C	D	E	F	G	H	L1	L2				L3	
05RAM49	Acciaio verniciato	Polipropilene															
	Acciaio cromato	Polipropilene															
05RAM59	Acciaio verniciato	Legno															
	Acciaio cromato	Legno															

ogni collo contiene 2 sedie (Kg. 24) / 1 sedia (Kg. 14,5)

Optionals

Codice	Descrizione	colli	m ³	Kg
02IMP01	Sottosedile di impilaggio	-	-	-
02IMP02	Sottosedile di impilaggio con elemento di unione	1	0,02	1
02PIE09	Set di piedini in feltro	-	-	-
20CAR03	Carrello trasporto sedie (acciaio verniciato nero)	1	0,12	19



RAMA

Slitta con braccioli - Completamente rivestita (non sfoderabile)

Finitura base:

Acciaio cromato

Acciaio verniciato (nei colori del polipropilene)

Finitura rivestimento:

A = Valencia (pelle sintetica)

B = Field 2, COM (tessuto Cliente)

C = Merit, Remix 2, COL (pelle Cliente)

D = Clara 2, Curmi, Patio

E = Canvas 2, Hero, Regal, Scuba

F = Melange Nap, Steelcut Trio 3

G = Divina Melange 3, Hallingdal 65

H = Twill Weave

L1 = Coast (pelle fiore corretto)

L2 = Elmosoft (pelle semi-anilina)

L3 = Elmotique (pelle anilina)

Note:

Carter sottosedile e bracciolo in materiale plastico nei seguenti colori:

- base acciaio verniciato e scocca completamente rivestita = carter/bracciolo in tinta con la base.

- base acciaio cromato e scocca completamente rivestita = carter/bracciolo nero.

PIEDINI:

Di serie in plastica dura. Su richiesta vengono forniti piedini con inserto in feltro per pavimenti in legno.

IMPILABILITÀ (solo con sottosedile di impilaggio):

- Fino a 4 pz.

- Su carrello fino a 4 pz.

Consumo COM: 0,9 ml (H. 140 cm).

Consumo COL: 1,2 mq.

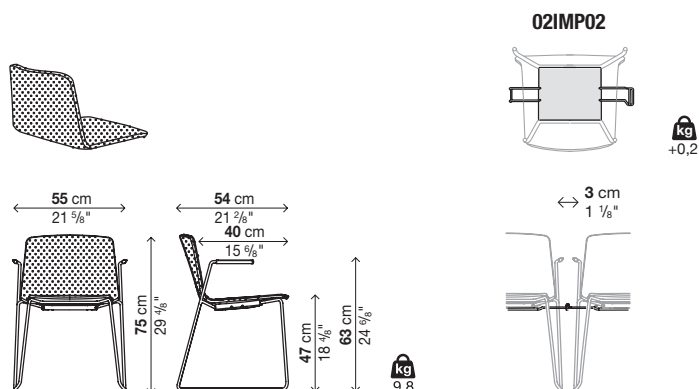
Imballi rinforzati vedi interno di copertina.

Codice	Base	Rivestimento											colli	m ²	Kg			
		A	B	C	D	E	F	G	H	L1	L2	L3						
05RAM60	Acciaio verniciato																1	0,39
	Acciaio cromato																	

ogni collo contiene 2 sedie (Kg. 24,6) / 1 sedia (Kg. 14,8)

Optionals

Codice	Descrizione	colli	m ²	Kg
02IMP01	Sottosedile di impilaggio	-	-	-
02IMP02	Sottosedile di impilaggio con elemento di unione	1	0,02	1
02PIE09	Set di piedini in feltro	-	-	-
20CAR03	Carrello trasporto sedie (acciaio verniciato nero)	1	0,12	19



RAMA

Sgabello su slitta

Finitura base:

Acciaio cromato
Acciaio verniciato (nei colori del polipropilene)

Finitura scocca:

Polipropilene bianco (PP01)
Polipropilene nero (PP03)
Polipropilene beige (PP05)
Polipropilene grigio chiaro (PP11)
Polipropilene giallo zinco (PP12)
Legno effetto frassino
Legno effetto rovere europeo
Legno effetto noce
Legno effetto rovere tinto nero

Finitura rivestimento cuscino Lips:

A = COM (tessuto Cliente)
B = Field 2

Note:

PIEDINI:
Di serie in plastica dura. Su richiesta vengono forniti piedini con inserto in feltro per pavimenti in legno.

IMPILABILITÀ:

- Fino a 10 pz.

INFO SPEDIZIONI SMONTATO:

Per ordini superiori alle 8 unità, il prodotto viene spedito smontato. (solo per gli sgabelli con scocca non rivestita):
4 scocche in polipropilene = 1 collo - Kg 17 / m³ 0,23.
4 scocche in legno = 1 collo - Kg 19 / m³ 0,23.
4 basi H.66 = 1 collo - Kg 23 / m³ 0,24.
4 basi H.76 = 1 collo - Kg 25 / m³ 0,29.

Consumo cuscino Lips: 0,5 ml (H. 140 cm).

Imballi rinforzati vedi interno di copertina.

Sgabello basso (altezza seduta 66 cm)

Codice	Base	Scocca		colli m ³ Kg
		Polipropilene	Legno	
05RAM17	Acciaio verniciato		-	1 0,36
	Acciaio cromato		-	
05RAM18	Acciaio verniciato	-		
	Acciaio cromato	-		

ogni collo contiene 2 sgabelli (Kg. 21) / 1 sgabello (Kg. 12,5)

Sgabello alto (altezza seduta 76 cm)

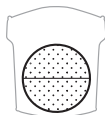
Codice	Base	Scocca		colli m ³ Kg
		Polipropilene	Legno	
05RAM40	Acciaio verniciato		-	1 0,40
	Acciaio cromato		-	
05RAM44	Acciaio verniciato	-		
	Acciaio cromato	-		

ogni collo contiene 2 sgabelli (Kg. 21,6) / 1 sgabello (Kg. 12,8)

Optionals

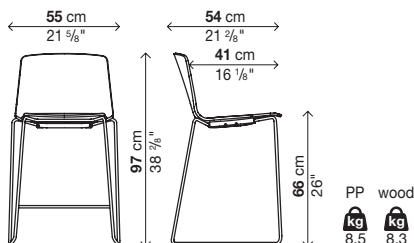
Codice	Descrizione	Rivestimento											colli m ³ Kg
		A	B	C	D	E	F	G	H	L1	L2	L3	
20LIR01	Cuscino rimovibile LIPS-R (non sfoderabile)			-	-	-	-	-	-	-	-	-	1 0,01 1
02PIE09	Set di piedini in feltro												- - -

LIPS-R (20LIR01)

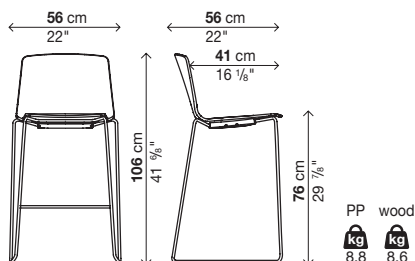


kg
0,6

05RAM17/18



05RAM40/44



RAMA

Sgabello su slitta - Rivestimento frontale (non sfoderabile)

Finitura base:

Acciaio cromato
Acciaio verniciato (nei colori del polipropilene)

Finitura scocca:

Polipropilene bianco (PP01)
Polipropilene nero (PP03)
Polipropilene beige (PP05)
Polipropilene grigio chiaro (PP11)
Polipropilene giallo zinco (PP12)
Legno effetto frassino
Legno effetto rovere europeo
Legno effetto noce
Legno effetto rovere tinto nero

Finitura rivestimento:

A = Valencia (pelle sintetica)
B = Field 2, COM (tessuto Cliente)
C = Merit, Remix 2, COL (pelle Cliente)
D = Clara 2, Curmi, Patio
E = Canvas 2, Hero, Regal, Scuba
F = Melange Nap, Steelcut Trio 3
G = Divina Melange 3, Hallingdal 65
H = Twill Weave
L1 = Coast (pelle fiore corretto)
L2 = Elmosoft (pelle semi-anilina)
L3 = Elmotique (pelle anilina)

Note:

Carter sottosedile in materiale plastico nei seguenti colori:
- base acciaio verniciato e scocca polipropilene = carter in tinta con la base.
- base acciaio cromato e scocca polipropilene = carter in tinta con la scocca.
- base acciaio verniciato e scocca legno = carter in tinta con la base
- base acciaio cromato e scocca legno = carter nero.

PIEDINI:

Di serie in plastica dura. Su richiesta vengono forniti piedini con inserto in feltro per pavimenti in legno.

IMPILABILITÀ (solo con sottosedile di impilaggio):

- Fino a 4 pz.

Consumo COM: 0,45 ml (H. 140 cm).

Consumo COL: 0,8 mq.

Imballi rinforzati vedi interno di copertina.

Sgabello basso (altezza seduta 66 cm)

Codice	Base	Scocca	Rivestimento frontale											colli	m ³	Kg		
			A	B	C	D	E	F	G	H	L1	L2	L3					
05RAM19	Acciaio verniciato	Polipropilene															1	0,37
	Acciaio cromato	Polipropilene																
05RAM20	Acciaio verniciato	Legno																
	Acciaio cromato	Legno																

ogni collo contiene 2 sgabelli (Kg. 23,4) / 1 sgabello (Kg. 13,7)

Sgabello alto (altezza seduta 76 cm)

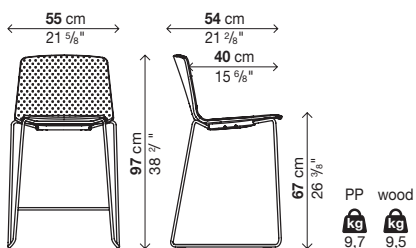
Codice	Base	Scocca	Rivestimento frontale											colli	m ³	Kg		
			A	B	C	D	E	F	G	H	L1	L2	L3					
05RAM45	Acciaio verniciato	Polipropilene															1	0,37
	Acciaio cromato	Polipropilene																
05RAM46	Acciaio verniciato	Legno																
	Acciaio cromato	Legno																

ogni collo contiene 2 sgabelli (Kg. 24) / 1 sgabello (Kg. 14)

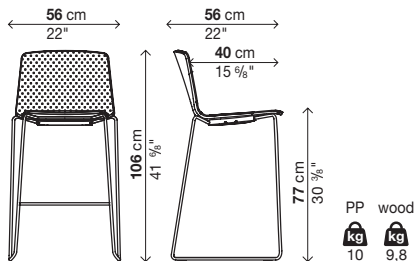
Optionals

Codice	Descrizione	colli	m ³	Kg
02IMP01	Sottosedile di impilaggio	-	-	-
02PIE09	Set di piedini in feltro	-	-	-

05RAM19/20



05RAM45/46



RAMA

Sgabello su slitta - Completamente rivestito (non sfoderabile)

Finitura base:

Acciaio cromato
Acciaio verniciato (nei colori del polipropilene)

Finitura rivestimento:

A = Valencia (pelle sintetica)
B = Field 2, COM (tessuto Cliente)
C = Merit, Remix 2, COL (pelle Cliente)
D = Clara 2, Curmi, Patio
E = Canvas 2, Hero, Regal, Scuba
F = Melange Nap, Steelcut Trio 3
G = Divina Melange 3, Hallingdal 65
H = Twill Weave
L1 = Coast (pelle fiore corretto)
L2 = Elmosoft (pelle semi-anilina)
L3 = Elmotique (pelle anilina)

Note:

Carter sottosedile in materiale plastico nei seguenti colori:
- base acciaio verniciato e scocca completamente rivestita = carter in tinta con la base.
- base acciaio cromato e scocca completamente rivestita = carter nero.

PIEDINI:

Di serie in plastica dura. Su richiesta vengono forniti piedini con inserto in feltro per pavimenti in legno.

IMPILABILITÀ (solo con sottosedile di impilaggio):

- Fino a 4 pz.

Consumo COM: 0,9 ml (H. 140 cm).

Consumo COL: 1,2 mq.

Imballi rinforzati vedi interno di copertina.

Sgabello basso (altezza seduta 66 cm)

Codice	Base	Rivestimento											colli	m ³	Kg			
		A	B	C	D	E	F	G	H	L1	L2	L3						
05RAM28	Acciaio verniciato																1	0,39
	Acciaio cromato																	

ogni collo contiene 2 sgabelli (Kg. 24) / 1 sgabello (Kg. 14)

Sgabello alto (altezza seduta 76 cm)

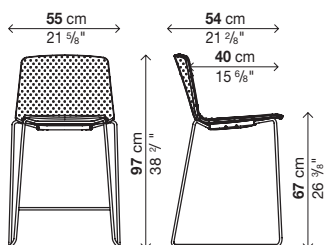
Codice	Base	Rivestimento											colli	m ³	Kg			
		A	B	C	D	E	F	G	H	L1	L2	L3						
05RAM47	Acciaio verniciato																1	0,39
	Acciaio cromato																	

ogni collo contiene 2 sgabelli (Kg. 24,6) / 1 sgabello (Kg. 14,3)

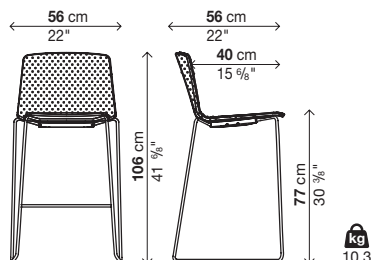
Optionals

Codice	Descrizione	colli	m ³	Kg
02IMPO1	Sottosedile di impilaggio	-	-	-
02PIE09	Set di piedini in feltro	-	-	-

05RAM28

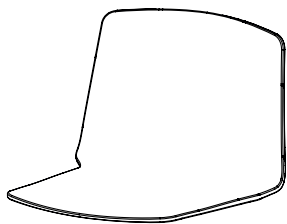


05RAM47

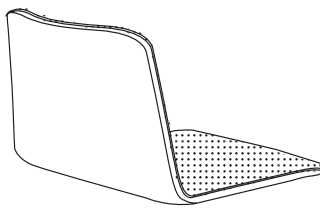


RAMA WOOD

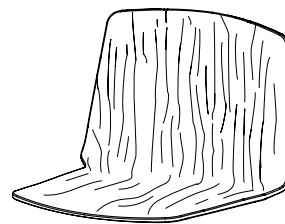
Legenda



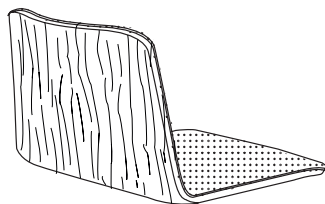
Scocca in polipropilene



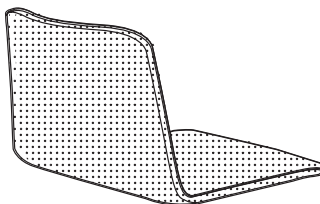
**Scocca in polipropilene
con rivestimento frontale**



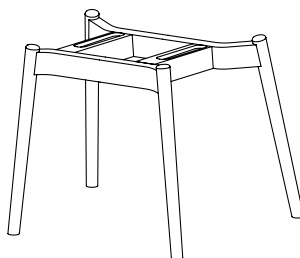
Scocca in legno



**Scocca in legno
con rivestimento frontale**



Scocca completamente rivestita



Quattro gambe legno massello

RAMA WOOD

Base legno

Finitura base:

Legno massello di frassino naturale
 Legno massello di frassino tinto rovere europeo
 Legno massello di frassino tinto noce
 Legno massello di frassino tinto nero

Finitura scocca:

Polipropilene bianco (PP01)
 Polipropilene nero (PP03)
 Polipropilene beige (PP05)
 Polipropilene grigio chiaro (PP11)
 Polipropilene giallo zinco (PP12)
 Legno effetto frassino
 Legno effetto rovere europeo
 Legno effetto noce
 Legno effetto rovere tinto nero

Finitura rivestimento cuscino Lips:

A = COM (tessuto Cliente)
 B = Field 2

Note:

PIEDINI:

Di serie in plastica dura. Su richiesta vengono forniti piedini con inserto in feltro per pavimenti in legno.

IMPILABILITÀ:

- Fino a 4 pz.
 - Su carrello fino a 4 pz.

Consumo cuscino Lips: 0,5 ml (H. 140 cm).

Imballi rinforzati vedi interno di copertina.

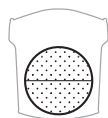
Codice	Base	Scocca		colli	m ³	Kg
		Polipropilene	Legno			
05RAM05	Legno		-	1	0,38	
05RAM06	Legno	-				

ogni collo contiene 2 sedie (Kg. 14,2) / 1 sedia (Kg. 8,6)

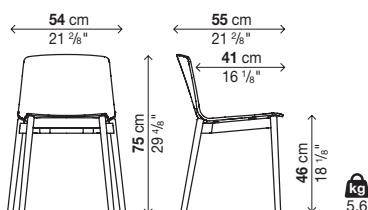
Optionals

Codice	Descrizione	Rivestimento											colli	m ³	Kg
		A	B	C	D	E	F	G	H	L1	L2	L3			
20LIR01	Cuscino rimovibile LIPS-R (non sfoderabile)			-	-	-	-	-	-	-	-	-	1	0,01	1
02PIE08	Set di piedini in feltro												-	-	-
20CAR03	Carrello trasporto sedie (acciaio verniciato nero)												1	0,12	19

LIPS-R (20LIR01)



kg
0,6



RAMA WOOD

Base legno - Rivestimento frontale (non sfoderabile)

Finitura base:

Legno massello di frassino naturale
 Legno massello di frassino tinto rovere europeo
 Legno massello di frassino tinto noce
 Legno massello di frassino tinto nero

Finitura scocca:

Polipropilene bianco (PP01)
 Polipropilene nero (PP03)
 Polipropilene beige (PP05)
 Polipropilene grigio chiaro (PP11)
 Polipropilene giallo zinco (PP12)
 Legno effetto frassino
 Legno effetto rovere europeo
 Legno effetto noce
 Legno effetto rovere tinto nero

Finitura rivestimento:

A = Valencia (pelle sintetica)
 B = Field 2, COM (tessuto Cliente)
 C = Merit, Remix 2, COL (pelle Cliente)
 D = Clara 2, Curmi, Patio
 E = Canvas 2, Hero, Regal, Scuba
 F = Melange Nap, Steelcut Trio 3
 G = Divina Melange 3, Hallingdal 65
 H = Twill Weave
 L1 = Coast (pelle fiore corretto)
 L2 = Elmosoft (pelle semi-anilina)
 L3 = Elmotique (pelle anilina)

Note:

PIEDINI:
 Di serie in plastica dura. Su richiesta vengono forniti piedini con inserto in feltro per pavimenti in legno.

Seduta NON impilabile.

Consumo COM: 0,45 ml (H. 140 cm).
 Consumo COL: 0,8 mq.

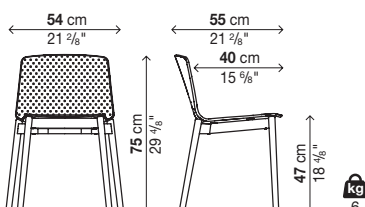
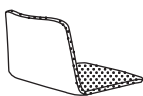
Imballi rinforzati vedi interno di copertina.

Codice	Base	Scocca	Rivestimento frontale											colli	m ³	Kg		
			A	B	C	D	E	F	G	H	L1	L2	L3					
05RAM07	Legno	Polipropilene														1	0,38	
05RAM08	Legno	Legno																

ogni collo contiene 2 sedie (Kg. 15) / 1 sedia (Kg. 9)

Optionals

Codice	Descrizione	colli	m ³	Kg
02PIE08	Set di piedini in feltro	-	-	-



RAMA WOOD

Base legno - Completamente rivestita (non sfoderabile)

Finitura base:

Legno massello di frassino naturale
 Legno massello di frassino tinto rovere europeo
 Legno massello di frassino tinto noce
 Legno massello di frassino tinto nero

Finitura rivestimento:

A = Valencia (pelle sintetica)
 B = Field 2, COM (tessuto Cliente)
 C = Merit, Remix 2, COL (pelle Cliente)
 D = Clara 2, Curmi, Patio
 E = Canvas 2, Hero, Regal, Scuba
 F = Melange Nap, Steelcut Trio 3
 G = Divina Melange 3, Hallingdal 65
 H = Twill Weave
 L1 = Coast (pelle fiore corretto)
 L2 = Elmosoft (pelle semi-anilina)
 L3 = Elmotique (pelle anilina)

Note:

PIEDINI:
 Di serie in plastica dura. Su richiesta vengono forniti piedini con inserto in feltro per pavimenti in legno.

Seduta NON impilabile.

Consumo COM: 0,9 ml (H. 140 cm).
 Consumo COL: 1,2 mq.

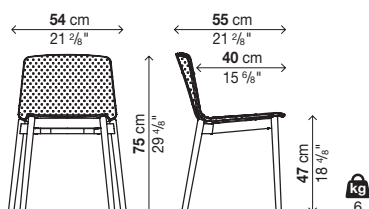
Imballi rinforzati vedi interno di copertina.

Codice	Base	Rivestimento											colli	m ²	Kg		
		A	B	C	D	E	F	G	H	L1	L2	L3					
05RAM09	Legno														1	0,38	

ogni collo contiene 2 sedie (Kg. 15) / 1 sedia (Kg. 9)

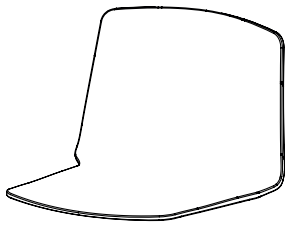
Optionals

Codice	Descrizione	colli	m ²	Kg
02PIE08	Set di piedini in feltro	-	-	-

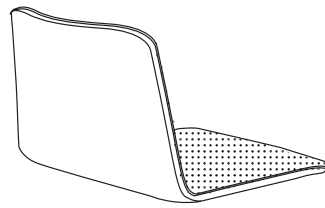


RAMA

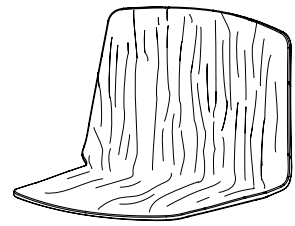
Übersicht



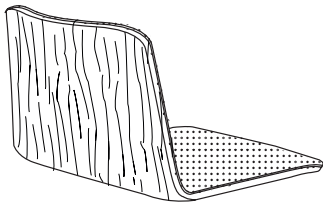
Aufbau aus Polypropylen



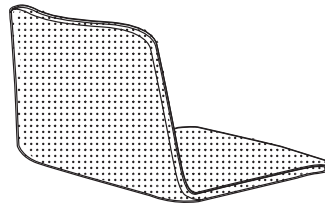
**Aufbau aus Polypropylen
mit Vorderer Bezug**



Aufbau aus Holz



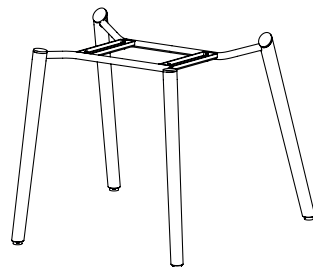
**Aufbau aus Holz
mit Vorderer Bezug**



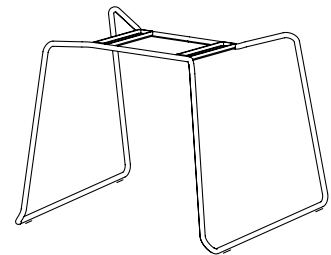
Aufbau vollständig bezogen



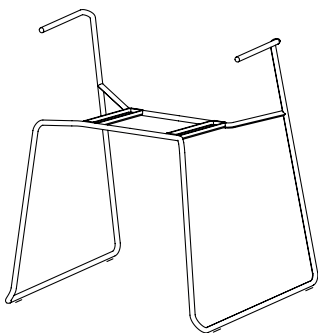
Vier Beine



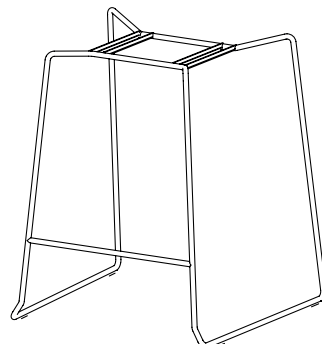
Vier Beine Holz und Metall



Kufengestell



Kufengestell mit Armlehnen



Hocker

RAMA

Vier Beine

Ausführung Gestell:

Verchromter Stahl
Lackierter Stahl (in den Polypropylen-Farben)

Ausführung Aufbau:

Polypropylen Weiß (PP01)
Polypropylen Schwarz (PP03)
Polypropylen Beige (PP05)
Polypropylen Hellgrau (PP11)
Polypropylen Zinkgelb (PP12)
Holz, Effekt Esche
Holz, Effekt europäische Eiche
Holz, Effekt Nussbaum
Holz, Effekt Eiche Farbe Schwarz

Ausführung Kissen Lips:

A = COM (Kundenstoff)
B = Field 2

Anmerkung:

Gehäuse unter der Sitzfläche aus Kunststoff in den folgenden Farben:
- Untergestell lackierter Stahl und Aufbau Polypropylen = Gehäuse in Farbe des Untergestells.
- Untergestell verchromter Stahl und Aufbau Polypropylen = Gehäuse in Farbe des Untergestells.
- Untergestell lackierter Stahl und Aufbau aus Holz = Gehäuse in Farbe des Untergestells.
- Untergestell verchromter Stahl und Aufbau Holz = schwarzes Gehäuse.

FÜßE:

Standard in Hartplastik. Auf Wunsch liefern wir Füße mit Filzeinlage für Holzböden.

STAPELBARKEIT:

- Bis zu etwas 10 St.
- Bei Stuhlkarre bis zu 12 St.

Verbrauch Kissen Lips: 0,5 ml (H. 140 cm).

Für verstärkte Verpackungen siehe Innenseite des Umschlags.

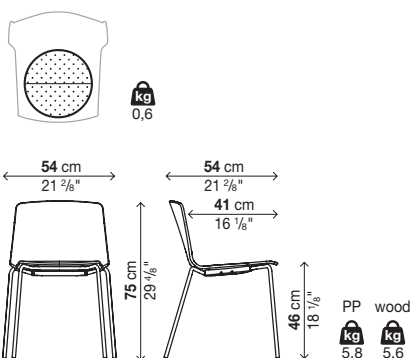
Art.-Nr.	Gestell	Aufbau		kolli	m ³	Kg
		Polypropylen	Holz			
05RAM13	Verchromter Stahl, Lackierter Stahl		-	1	0,37	
05RAM35	Verchromter Stahl, Lackierter Stahl	-				

jedes Frachtstück beinhaltet 4 Stühle (Kg. 28,2) / 3 Stühle (Kg. 22,4) / 2 Stühle (Kg. 16,6) / 1 Stuhl (Kg. 10,8)

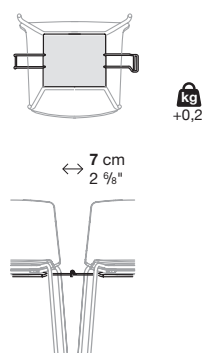
Optionen

Art.-Nr.	Beschreibung	Bezug											kolli	m ³	Kg
		A	B	C	D	E	F	G	H	L1	L2	L3			
20LIR01	Abnehmbares Kissen LIPS-R (nicht abziehbar)			-	-	-	-	-	-	-	-	-	1	0,01	1
02IMP02	Schutzkappe unter dem Sitz für stapelbaren Stuhl mit Verbindungselement												1	0,02	1
02PIE06	Set Filzfüße												-	-	-
20CAR03	Stuhlkarre (Stahl lackiert in schwarz)												1	0,12	19

LIPS-R (20LIR01)



02IMP02



RAMA

Vier Beine - Vorderer Bezug (nicht abziehbar)

Ausführung Gestell:

Verchromter Stahl
Lackierter Stahl (in den Polypropylen-Farben)

Ausführung Aufbau:

Polypropylen Weiß (PP01)
Polypropylen Schwarz (PP03)
Polypropylen Beige (PP05)
Polypropylen Hellgrau (PP11)
Polypropylen Zinkgelb (PP12)
Holz, Effekt Esche
Holz, Effekt europäische Eiche
Holz, Effekt Nussbaum
Holz, Effekt Eiche Farbe Schwarz

Ausführung des Bezugs:

A = Valencia (Synthetische Leder)
B = Field 2, COM (Kundenstoff)
C = Merit, Remix 2, COL (Kundenleder)
D = Clara 2, Curmi, Patio
E = Canvas 2, Hero, Regal, Scuba
F = Melange Nap, Steelcut Trio 3
G = Divina Melange 3, Hallingdal 65
H = Twill Weave
L1 = Coast (Nubukleder)
L2 = Elmosoft (Semianilinleder)
L3 = Elmotique (Anilinleder)

Anmerkung:

Gehäuse unter der Sitzfläche aus Kunststoff in den folgenden Farben:
- Untergestell lackierter Stahl und Aufbau Polypropylen = Gehäuse in Farbe des Untergestells.
- Untergestell verchromter Stahl und Aufbau Polypropylen = Gehäuse in Farbe des Untergestells.
- Untergestell lackierter Stahl und Aufbau aus Holz = Gehäuse in Farbe des Untergestells.
- Untergestell verchromter Stahl und Aufbau Holz = schwarzes Gehäuse.

FÜßE:

Standard in Hartplastik. Auf Wunsch liefern wir Füße mit Filzeinlage für Holzböden.

STAPELBARKEIT (nur mit Schutzkappe unter dem Sitz für stapelbaren Stuhl):

- Bis zu etwas 4 St.
- Bei Stuhlkarte bis zu 4 St.

Verbrauch COM: 0,45 ml (H. 140 cm).

Verbrauch COL: 0,8 mq.

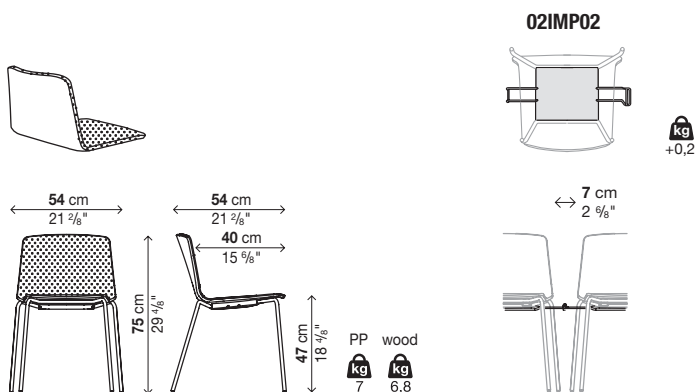
Für verstärkte Verpackungen siehe Innenseite des Umschlags.

Art.-Nr.	Gestell	Aufbau	Vorderer Bezug											kolli	m ²	Kg			
			A	B	C	D	E	F	G	H	L1	L2	L3						
05RAM14	Verchromter Stahl, Lackierter Stahl	Polypropylen															1	0,37	
05RAM36	Verchromter Stahl, Lackierter Stahl	Holz																	

jedes Frachtstück beinhaltet 2 Stühle (Kg. 19) / 1 Stuhl (Kg. 12)

Optionen

Art.-Nr.	Beschreibung	kolli	m ²	Kg
02IMP01	Schutzkappe unter dem Sitz für stapelbaren Stuhl	-	-	-
02IMP02	Schutzkappe unter dem Sitz für stapelbaren Stuhl mit Verbindungselement	1	0,02	1
02PIE06	Set Filzfüße	-	-	-
20CAR03	Stuhlkarte (Stahl lackiert in schwarz)	1	0,12	19



RAMA

Vier Beine - Vollständig bezogen (nicht abziehbar)

Ausführung Gestell:

Verchromter Stahl

Lackierter Stahl (in den Polypropylen-Farben)

Ausführung des Bezugs:

A = Valencia (Synthetische Leder)

B = Field 2, COM (Kundenstoff)

C = Merit, Remix 2, COL (Kundenleder)

D = Clara 2, Curmi, Patio

E = Canvas 2, Hero, Regal, Scuba

F = Melange Nap, Steelcut Trio 3

G = Divina Melange 3, Hallingdal 65

H = Twill Weave

L1 = Coast (Nubukleder)

L2 = Elmosoft (Semianilinleder)

L3 = Elmotique (Anilinleder)

Anmerkung:

Gehäuse unter der Sitzfläche aus Kunststoff in den folgenden Farben:

- Untergestell lackierter Stahl und vollständig bezogener Aufbau = Gehäuse in Farbe des Untergestells.

- Untergestell verchromter Stahl und vollständig bezogener Aufbau = schwarzes Gehäuse.

FÜßE:

Standard in Hartplastik. Auf Wunsch liefern wir Füße mit Filzeinlage für Holzböden.

STAPELBARKEIT (nur mit Schutzkappe unter dem Sitz für stapelbaren Stuhl):

- Bis zu etwas 4 St.

- Bei Stuhlkarre bis zu 4 St.

Verbrauch COM: 0,9 ml (H. 140 cm).

Verbrauch COL: 1,2 mq.

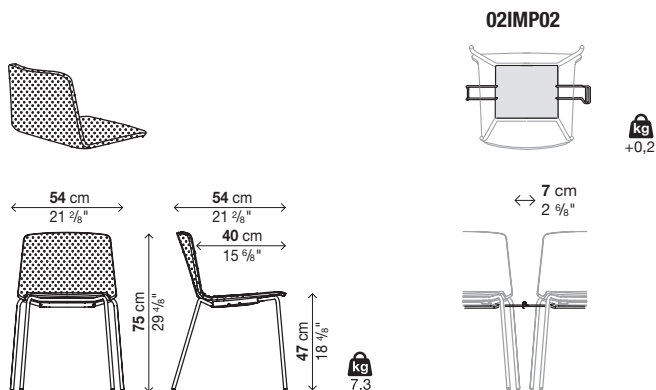
Für verstärkte Verpackungen siehe Innenseite des Umschlags.

Art.-Nr.	Gestell	Bezug											koll.	m ³	Kg		
		A	B	C	D	E	F	G	H	L1	L2	L3					
05RAM37	Verchromter Stahl, Lackierter Stahl															1	0,39

jedes Frachtstück beinhaltet 2 Stühle (Kg. 19,6) / 1 Stuhl (Kg. 12,3)

Optionen

Art.-Nr.	Beschreibung	koll.	m ³	Kg
02IMP01	Schutzkappe unter dem Sitz für stapelbaren Stuhl	-	-	-
02IMP02	Schutzkappe unter dem Sitz für stapelbaren Stuhl mit Verbindungselement	1	0,02	1
02PIE06	Set Filzfüße	-	-	-
20CAR03	Stuhlkarre (Stahl lackiert in schwarz)	1	0,12	19



RAMA

Vier Beine aus Holz

Ausführung Gestell:

Massives europäisches Eichenholz
 Massivholz lackiert (in den Polypropylen-Farben)

Ausführung Aufbau:

Polypropylen Weiß (PP01)
 Polypropylen Schwarz (PP03)
 Polypropylen Beige (PP05)
 Polypropylen Hellgrau (PP11)
 Polypropylen Zinkgelb (PP12)
 Holz, Effekt europäische Eiche
 Holz, Effekt Eiche Farbe Schwarz

Ausführung Kissen Lips:

A = COM (Kundenstoff)
 B = Field 2

Anmerkung:

Gehäuse unter der Sitzfläche aus Kunststoff in den folgenden Farben:
 - Untergestell Holz Farbe Natur und Aufbau Polypropylen = Gehäuse in Farbe des Aufbaus.
 - Untergestell lackiertes Holz und Aufbau Polypropylen = Gehäuse in Farbe des Untergestells.
 - Untergestell Holz Farbe Natur und Aufbau Holz = schwarzes Gehäuse.
 - Untergestell lackiertes Holz und Aufbau Holz = Gehäuse in Farbe des Untergestells.

FÜßE:

Standard in Hartplastik. Auf Wunsch liefern wir Füße mit Filzeinlage für Holzböden.

STAPELBARKEIT:

- Bis zu etwas 5 St.
 - Bei Stuhlkarre bis zu 10 St.

Verbrauch Kissen Lips: 0,5 ml (H. 140 cm).

Für verstärkte Verpackungen siehe Innenseite des Umschlags.

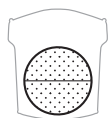
Art.-Nr.	Gestell	Aufbau		kolli	m³	Kg
		Polypropylen	Holz			
05RAM03	Europäische Eiche, Lackiertes Holz		-	1	0,43	
05RAM29	Europäische Eiche, Lackiertes Holz	-				

jedes Frachtstück beinhaltet 4 Stühle (Kg. 28,6) / 3 Stühle (Kg. 22,7) / 2 Stühle (Kg. 16,8) / 1 Stuhl (Kg. 10,9)

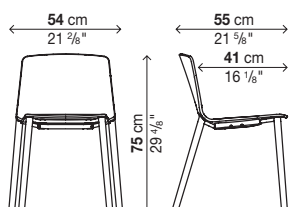
Optionen

Art.-Nr.	Beschreibung	Bezug											kolli	m³	Kg	
		A	B	C	D	E	F	G	H	L1	L2	L3				
20LIR01	Abnehmbares Kissen LIPS-R (nicht abziehbar)			-	-	-	-	-	-	-	-	-	-	1	0,01	1
02IMPO2	Schutzkappe unter dem Sitz für stapelbaren Stuhl mit Verbindungselement													1	0,02	1
02PIE07	Set Filzfüße													-	-	-
20CAR03	Stuhlkarre (Stahl lackiert in schwarz)													1	0,12	19

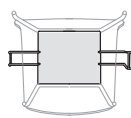
LIPS-R (20LIR01)



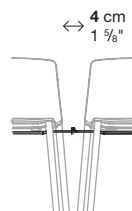
kg
0,6



02IMPO2



kg
+0,2



PP wood
kg 5,9 kg 5,7

RAMA

Vier Beine aus Holz - Vorderer Bezug (nicht abziehbar)

Ausführung Gestell:

Massives europäisches Eichenholz
 Massivholz lackiert (in den Polypropylen-Farben)

Ausführung Aufbau:

Polypropylen Weiß (PP01)
 Polypropylen Schwarz (PP03)
 Polypropylen Beige (PP05)
 Polypropylen Hellgrau (PP11)
 Polypropylen Zinkgelb (PP12)
 Holz, Effekt europäische Eiche
 Holz, Effekt Eiche Farbe Schwarz

Ausführung des Bezugs:

A = Valencia (Synthetische Leder)
 B = Field 2, COM (Kundenstoff)
 C = Merit, Remix 2, COL (Kundenleder)
 D = Clara 2, Curmi, Patio
 E = Canvas 2, Hero, Regal, Scuba
 F = Melange Nap, Steelcut Trio 3
 G = Divina Melange 3, Hallingdal 65
 H = Twill Weave
 L1 = Coast (Nubukleder)
 L2 = Elmosoft (Semianilinleder)
 L3 = Elmotique (Anilinleder)

Anmerkung:

Gehäuse unter der Sitzfläche aus Kunststoff in den folgenden Farben:
 - Untergestell Holz Farbe Natur und Aufbau Polypropylen = Gehäuse in Farbe des Aufbaus.
 - Untergestell lackiertes Holz und Aufbau Polypropylen = Gehäuse in Farbe des Untergestells.
 - Untergestell Holz Farbe Natur und Aufbau Holz = schwarzes Gehäuse.
 - Untergestell lackiertes Holz und Aufbau Holz = Gehäuse in Farbe des Untergestells.

FÜßE:

Standard in Hartplastik. Auf Wunsch liefern wir Füße mit Filzeinlage für Holzböden.

STAPELBARKEIT (nur mit Schutzkappe unter dem Sitz für stapelbaren Stuhl):

- Bis zu etwas 4 St.
- Bei Stuhlkarre bis zu 4 St.

Verbrauch COM: 0,45 ml (H. 140 cm).

Verbrauch COL: 0,8 mq.

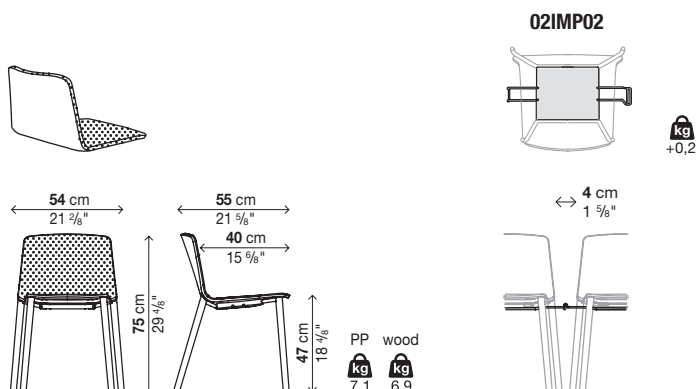
Für verstärkte Verpackungen siehe Innenseite des Umschlags.

Art.-Nr.	Gestell	Aufbau	Vorderer Bezug											kolli	m³	Kg			
			A	B	C	D	E	F	G	H	L1	L2	L3						
05RAM04	Europäische Eiche, Lackiertes Holz	Polypropylen															1	0,43	
05RAM30	Europäische Eiche, Lackiertes Holz	Holz																	

jedes Frachtstück beinhaltet 2 Stühle (Kg. 19,2) / 1 Stuhl (Kg. 12,1)

Optionen

Art.-Nr.	Beschreibung	kolli	m³	Kg
02IMP01	Schutzkappe unter dem Sitz für stapelbaren Stuhl	-	-	-
02IMP02	Schutzkappe unter dem Sitz für stapelbaren Stuhl mit Verbindungselement	1	0,02	1
02PIE07	Set Filzfüße	-	-	-
20CAR03	Stuhlkarre (Stahl lackiert in schwarz)	1	0,12	19



RAMA

Vier Beine aus Holz - Vollständig bezogen (nicht abziehbar)

Ausführung Gestell:

Massives europäisches Eichenholz
Massivholz lackiert (in den Polypropylen-Farben)

Ausführung des Bezugs:

A = Valencia (Synthetische Leder)
B = Field 2, COM (Kundenstoff)
C = Merit, Remix 2, COL (Kundenleder)
D = Clara 2, Curmi, Patio
E = Canvas 2, Hero, Regal, Scuba
F = Melange Nap, Steelcut Trio 3
G = Divina Melange 3, Hallingdal 65
H = Twill Weave
L1 = Coast (Nubukleder)
L2 = Elmosoft (Semianilinleder)
L3 = Elmotique (Anilinleder)

Anmerkung:

Gehäuse unter der Sitzfläche aus Kunststoff in den folgenden Farben:
- Untergestell Holz Farbe Natur und vollständig bezogener Aufbau = schwarzes Gehäuse.
- Untergestell lackiertes Holz und vollständig bezogener Aufbau = Gehäuse in Farbe des Untergestells.

FÜßE:

Standard in Hartplastik. Auf Wunsch liefern wir Füße mit Filzeinlage für Holzböden.

STAPELBARKEIT (nur mit Schutzkappe unter dem Sitz für stapelbaren Stuhl):

- Bis zu etwas 4 St.
- Bei Stuhlkarre bis zu 4 St.

Verbrauch COM: 0,9 ml (H. 140 cm).

Verbrauch COL: 1,2 mq.

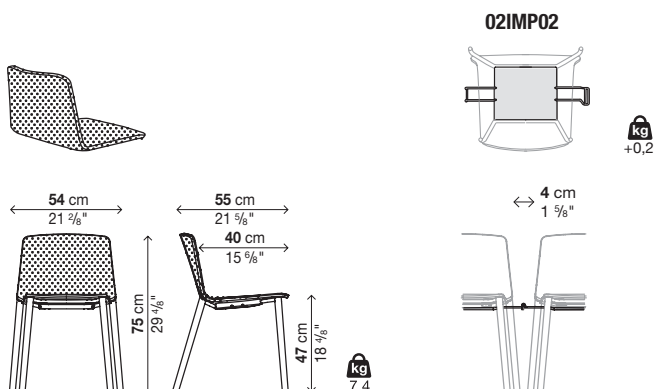
Für verstärkte Verpackungen siehe Innenseite des Umschlags.

Art.-Nr.	Gestell	Bezug											kolli	m³	Kg		
		A	B	C	D	E	F	G	H	L1	L2	L3					
05RAM34	Europäische Eiche, Lackiertes Holz															1	0,39

jedes Frachtstück beinhaltet 2 Stühle (Kg. 19,8) / 1 Stuhl (Kg. 12,4)

Optionen

Art.-Nr.	Beschreibung	kolli	m³	Kg
02IMP01	Schutzkappe unter dem Sitz für stapelbaren Stuhl	-	-	-
02IMP02	Schutzkappe unter dem Sitz für stapelbaren Stuhl mit Verbindungselement	1	0,02	1
02PIE07	Set Filzfüße	-	-	-
20CAR03	Stuhlkarre (Stahl lackiert in schwarz)	1	0,12	19



RAMA

Kufengestell

Ausführung Gestell:

Verchromter Stahl
Lackierter Stahl (in den Polypropylen-Farben)

Ausführung Aufbau:

Polypropylen Weiß (PP01)
Polypropylen Schwarz (PP03)
Polypropylen Beige (PP05)
Polypropylen Hellgrau (PP11)
Polypropylen Zinkgelb (PP12)
Holz, Effekt Esche
Holz, Effekt europäische Eiche
Holz, Effekt Nussbaum
Holz, Effekt Eiche Farbe Schwarz

Ausführung Kissen Lips:

A = COM (Kundenstoff)
B = Field 2

Anmerkung:

Gehäuse unter der Sitzfläche aus Kunststoff in den folgenden Farben:
- Untergestell Holz Farbe Natur und Aufbau Polypropylen = Gehäuse in Farbe des Aufbaus.
- Untergestell lackiertes Holz und Aufbau Polypropylen = Gehäuse in Farbe des Untergestells.
- Untergestell Holz Farbe Natur und Aufbau Holz = schwarzes Gehäuse.
- Untergestell lackiertes Holz und Aufbau Holz = Gehäuse in Farbe des Untergestells.

FÜßE:

Standard in Hartplastik. Auf Wunsch liefern wir Füße mit Filzeinlage für Holzböden.

STAPELBARKEIT:

- Bis zu etwas 10 St.
- Bei Stuhlkarre bis zu 15 St.

Verbrauch Kissen Lips: 0,5 ml (H. 140 cm).

Für verstärkte Verpackungen siehe Innenseite des Umschlags.

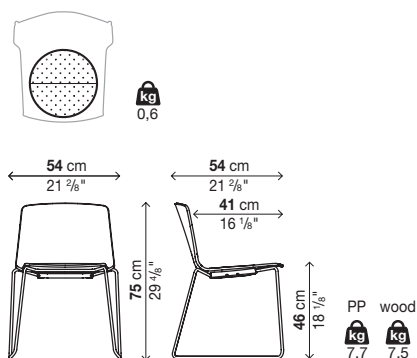
Art.-Nr.	Gestell	Aufbau		koli	m ³	Kg
		Polypropylen	Holz			
05RAM15	Lackierter Stahl		-	1	0,37	
	Verchromter Stahl		-			
05RAM63	Lackierter Stahl	-				
	Verchromter Stahl	-				

jedes Frachtstück beinhaltet 4 Stühle (Kg. 35,8) / 3 Stühle (Kg. 28,1) / 2 Stühle (Kg. 16,6) / 1 Stuhl (Kg. 12,7)

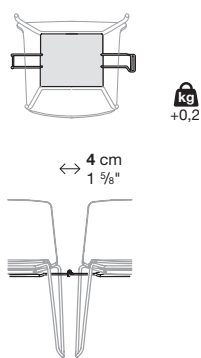
Optionen

Art.-Nr.	Beschreibung	Bezug											koli	m ³	Kg	
		A	B	C	D	E	F	G	H	L1	L2	L3				
20LIR01	Abnehmbares Kissen LIPS-R (nicht abziehbar)			-	-	-	-	-	-	-	-	-	-	1	0,01	1
02IMP02	Schutzkappe unter dem Sitz für stapelbaren Stuhl mit Verbindungselement													1	0,02	1
02PIE09	Set Filzfüße													-	-	-
20CAR03	Stuhlkarre (Stahl lackiert in schwarz)													1	0,12	19

LIPS-R (20LIR01)



02IMP02



RAMA

Kufengestell - Vorderer Bezug (nicht abziehbar)

Ausführung Gestell:

Verchromter Stahl
Lackierter Stahl (in den Polypropylen-Farben)

Ausführung Aufbau:

Polypropylen Weiß (PP01)
Polypropylen Schwarz (PP03)
Polypropylen Beige (PP05)
Polypropylen Hellgrau (PP11)
Polypropylen Zinkgelb (PP12)
Holz, Effekt Esche
Holz, Effekt europäische Eiche
Holz, Effekt Nussbaum
Holz, Effekt Eiche Farbe Schwarz

Ausführung des Bezugs:

A = Valencia (Synthetische Leder)
B = Field 2, COM (Kundenstoff)
C = Merit, Remix 2, COL (Kundenleder)
D = Clara 2, Curmi, Patio
E = Canvas 2, Hero, Regal, Scuba
F = Melange Nap, Steelcut Trio 3
G = Divina Melange 3, Hallingdal 65
H = Twill Weave
L1 = Coast (Nubukleder)
L2 = Elmosoft (Semianilinleder)
L3 = Elmotique (Anilinleder)

Anmerkung:

Gehäuse unter der Sitzfläche aus Kunststoff in den folgenden Farben:
- Untergestell Holz Farbe Natur und Aufbau Polypropylen = Gehäuse in Farbe des Aufbaus.
- Untergestell lackiertes Holz und Aufbau Polypropylen = Gehäuse in Farbe des Untergestells.
- Untergestell Holz Farbe Natur und Aufbau Holz = schwarzes Gehäuse.
- Untergestell lackiertes Holz und Aufbau Holz = Gehäuse in Farbe des Untergestells.

FÜßE:

Standard in Hartplastik. Auf Wunsch liefern wir Füße mit Filzeinlage für Holzböden.

STAPELBARKEIT (nur mit Schutzkappe unter dem Sitz für stapelbaren Stuhl):

- Bis zu etwas 4 St.
- Bei Stuhlkarre bis zu 4 St.

Verbrauch COM: 0,45 ml (H. 140 cm).

Verbrauch COL: 0,8 mq.

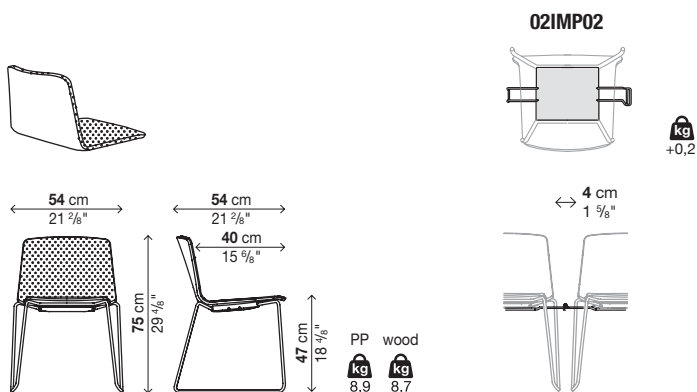
Für verstärkte Verpackungen siehe Innenseite des Umschlags.

Art.-Nr.	Gestell	Aufbau	Vorderer Bezug											kolli	m³	Kg		
			A	B	C	D	E	F	G	H	L1	L2	L3					
05RAM16	Lackierter Stahl	Polypropylen															1	0,37
	Verchromter Stahl	Polypropylen																
05RAM38	Lackierter Stahl	Holz																
	Verchromter Stahl	Holz																

jedes Frachtstück beinhaltet 2 Stühle (Kg. 22,8) / 1 Stuhl (Kg. 13,9)

Optionen

Art.-Nr.	Beschreibung	kolli	m³	Kg
02IMP01	Schutzkappe unter dem Sitz für stapelbaren Stuhl	-	-	-
02IMP02	Schutzkappe unter dem Sitz für stapelbaren Stuhl mit Verbindungselement	1	0,02	1
02PIE09	Set Filzfüße	-	-	-
20CAR03	Stuhlkarre (Stahl lackiert in schwarz)	1	0,12	19



RAMA

Kufengestell - Vollständig bezogen (nicht abziehbar)

Ausführung Gestell:

Verchromter Stahl
Lackierter Stahl (in den Polypropylen-Farben)

Ausführung des Bezugs:

A = Valencia (Synthetische Leder)
B = Field 2, COM (Kundenstoff)
C = Merit, Remix 2, COL (Kundenleder)
D = Clara 2, Curmi, Patio
E = Canvas 2, Hero, Regal, Scuba
F = Melange Nap, Steelcut Trio 3
G = Divina Melange 3, Hallingdal 65
H = Twill Weave
L1 = Coast (Nubukleder)
L2 = Elmosoft (Semianilinleder)
L3 = Elmotique (Anilinleder)

Anmerkung:

Gehäuse unter der Sitzfläche aus Kunststoff in den folgenden Farben:
- Untergestell Holz Farbe Natur und vollständig bezogener Aufbau = schwarzes Gehäuse.
- Untergestell lackiertes Holz und vollständig bezogener Aufbau = Gehäuse in Farbe des Untergestells.

FÜßE:

Standard in Hartplastik. Auf Wunsch liefern wir Füße mit Filzeinlage für Holzböden.

STAPELBARKEIT (nur mit Schutzkappe unter dem Sitz für stapelbaren Stuhl):

- Bis zu etwas 4 St.
- Bei Stuhlkarre bis zu 4 St.

Verbrauch COM: 0,9 ml (H. 140 cm).

Verbrauch COL: 1,2 mq.

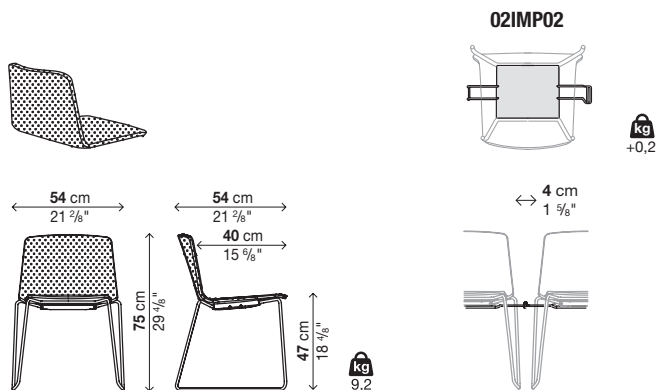
Für verstärkte Verpackungen siehe Innenseite des Umschlags.

Art.-Nr.	Gestell	Bezug											kolli	m ²	Kg		
		A	B	C	D	E	F	G	H	L1	L2	L3					
05RAM39	Lackierter Stahl																
	Verchromter Stahl																1 0,39

jedes Frachtstück beinhaltet 2 Stühle (Kg. 23,4) / 1 Stuhl (Kg. 14,2)

Optionen

Art.-Nr.	Beschreibung	kolli	m ²	Kg
02IMP01	Schutzkappe unter dem Sitz für stapelbaren Stuhl	-	-	-
02IMP02	Schutzkappe unter dem Sitz für stapelbaren Stuhl mit Verbindungselement	1	0,02	1
02PIE09	Set Filzfüße	-	-	-
20CAR03	Stuhlkarre (Stahl lackiert in schwarz)	1	0,12	19



RAMA

Kufengestell mit Armlehnen

Ausführung Gestell:

Verchromter Stahl
Lackierter Stahl (in den Polypropylen-Farben)

Ausführung Aufbau:

Polypropylen Weiß (PP01)
Polypropylen Schwarz (PP03)
Polypropylen Beige (PP05)
Polypropylen Hellgrau (PP11)
Polypropylen Zinkgelb (PP12)
Holz, Effekt Esche
Holz, Effekt europäische Eiche
Holz, Effekt Nussbaum
Holz, Effekt Eiche Farbe Schwarz

Ausführung Kissen Lips:

A = COM (Kundenstoff)
B = Field 2

Anmerkung:

Gehäuse unter der Sitzfläche und Armlehne aus Kunststoff in den folgenden Farben:
- Untergestell lackierter Stahl und Aufbau Polypropylen = Gehäuse/Armlehne in Farbe des Untergestells.
- Untergestell verchromter Stahl und Aufbau Polypropylen = Gehäuse/Armlehne in Farbe des Untergestells.
- Untergestell lackierter Stahl und Aufbau Holz = Gehäuse/Armlehne in Farbe des Untergestells.
- Untergestell verchromter Stahl und Aufbau Holz = schwarzes Gehäuse/Armlehne.

FÜßE:

Standard in Hartplastik. Auf Wunsch liefern wir Füße mit Filzeinlage für Holzböden.

STAPELBARKEIT:

- Bis zu etwas 10 St.
- Bei Stuhlkarre bis zu 12 St.

Verbrauch Kissen Lips: 0,5 ml (H. 140 cm).

Für verstärkte Verpackungen siehe Innenseite des Umschlags.

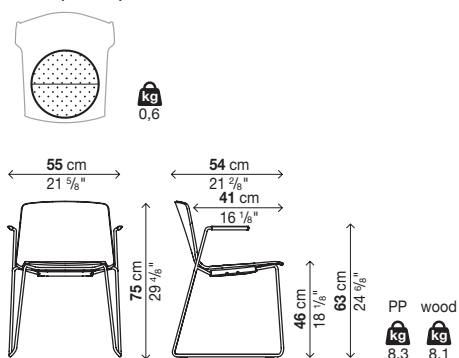
Art.-Nr.	Gestell	Aufbau		kolli	m³	Kg
		Polypropylen	Holz			
05RAM48	Lackierter Stahl		-	1	0,37	
	Verchromter Stahl		-			
05RAM50	Lackierter Stahl	-				
	Verchromter Stahl	-				

jedes Frachtstück beinhaltet 4 Stühle (Kg. 38,2) / 3 Stühle (Kg. 29,9) / 2 Stühle (Kg. 21,6) / 1 Stuhl (Kg. 13,3)

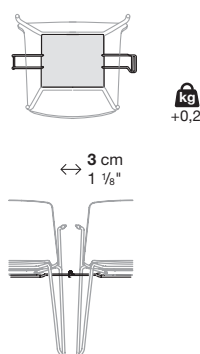
Optionen

Art.-Nr.	Beschreibung	Bezug											kolli	m³	Kg		
		A	B	C	D	E	F	G	H	L1	L2	L3					
20LIR01	Abnehmbares Kissen LIPS-R (nicht abziehbar)			-	-	-	-	-	-	-	-	-	-	-	1	0,01	1
02IMP02	Schutzkappe unter dem Sitz für stapelbaren Stuhl mit Verbindungselement														1	0,02	1
02PIE09	Set Filzfüße														-	-	-
20CAR03	Stuhlkarre (Stahl lackiert in schwarz)														1	0,12	19

LIPS-R (20LIR01)



02IMP02



RAMA

Kufengestell mit Armlehnen - Vorderer Bezug (nicht abziehbar)

Ausführung Gestell:

Verchromter Stahl
Lackierter Stahl (in den Polypropylen-Farben)

Ausführung Aufbau:

Polypropylen Weiß (PP01)
Polypropylen Schwarz (PP03)
Polypropylen Beige (PP05)
Polypropylen Hellgrau (PP11)
Polypropylen Zinkgelb (PP12)
Holz, Effekt Esche
Holz, Effekt europäische Eiche
Holz, Effekt Nussbaum
Holz, Effekt Eiche Farbe Schwarz

Ausführung des Bezugs:

A = Valencia (Synthetische Leder)
B = Field 2, COM (Kundenstoff)
C = Merit, Remix 2, COL (Kundenleder)
D = Clara 2, Curmi, Patio
E = Canvas 2, Hero, Regal, Scuba
F = Melange Nap, Steelcut Trio 3
G = Divina Melange 3, Hallingdal 65
H = Twill Weave
L1 = Coast (Nubukleder)
L2 = Elmosoft (Semianilinleder)
L3 = Elmotique (Anilinleder)

Anmerkung:

Gehäuse unter der Sitzfläche und Armlehne aus Kunststoff in den folgenden Farben:
- Untergestell lackierter Stahl und Aufbau Polypropylen = Gehäuse/Armlehne in Farbe des Untergestells.
- Untergestell verchromter Stahl und Aufbau Polypropylen = Gehäuse/Armlehne in Farbe des Untergestells.
- Untergestell lackierter Stahl und Aufbau Holz = Gehäuse/Armlehne in Farbe des Untergestells.
- Untergestell verchromter Stahl und Aufbau Holz = schwarzes Gehäuse/Armlehne.

FÜßE:

Standard in Hartplastik. Auf Wunsch liefern wir Füße mit Filzeinlage für Holzböden.

STAPELBARKEIT (nur mit Schutzkappe unter dem Sitz für stapelbaren Stuhl):

- Bis zu etwas 4 St.
- Bei Stuhlkarre bis zu 4 St.

Verbrauch COM: 0,45 ml (H. 140 cm).

Verbrauch COL: 0,8 mq.

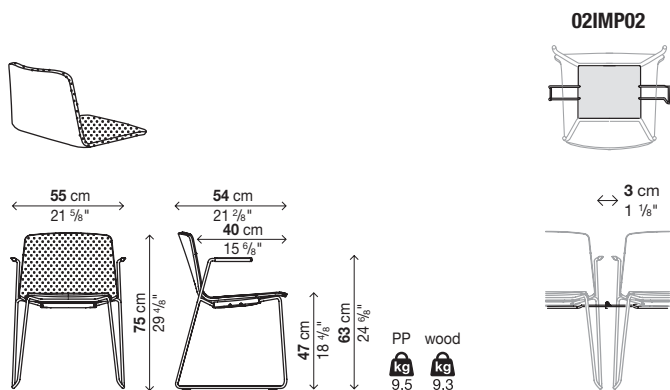
Für verstärkte Verpackungen siehe Innenseite des Umschlags.

Art.-Nr.	Gestell	Aufbau	Vorderer Bezug										kolli	m ³	Kg		
			A	B	C	D	E	F	G	H	L1	L2				L3	
05RAM49	Lackierter Stahl	Polypropylen															
	Verchromter Stahl	Polypropylen															
05RAM59	Lackierter Stahl	Holz															
	Verchromter Stahl	Holz															

jedes Frachtstück beinhaltet 2 Stühle (Kg. 24) / 1 Stuhl (Kg. 14,5)

Optionen

Art.-Nr.	Beschreibung	kolli	m ³	Kg
02IMP01	Schutzkappe unter dem Sitz für stapelbaren Stuhl	-	-	-
02IMP02	Schutzkappe unter dem Sitz für stapelbaren Stuhl mit Verbindungselement	1	0,02	1
02PIE09	Set Filzfüße	-	-	-
20CAR03	Stuhlkarre (Stahl lackiert in schwarz)	1	0,12	19



RAMA

Kufengestell mit Armlehnen - Vollständig bezogen (nicht abziehbar)

Ausführung Gestell:

Verchromter Stahl
Lackierter Stahl (in den Polypropylen-Farben)

Ausführung des Bezugs:

A = Valencia (Synthetische Leder)
B = Field 2, COM (Kundenstoff)
C = Merit, Remix 2, COL (Kundenleder)
D = Clara 2, Curmi, Patio
E = Canvas 2, Hero, Regal, Scuba
F = Melange Nap, Steelcut Trio 3
G = Divina Melange 3, Hallingdal 65
H = Twill Weave
L1 = Coast (Nubukleder)
L2 = Elmosoft (Semianilinleder)
L3 = Elmotique (Anilinleder)

Anmerkung:

Gehäuse unter der Sitzfläche und Armlehne aus Kunststoff in den folgenden Farben:
- Untergestell lackierter Stahl und vollständig bezogener Aufbau = Gehäuse in Farbe des Untergestells.
- Untergestell verchromter Stahl und vollständig bezogener Aufbau = schwarzes Gehäuse.

FÜßE:

Standard in Hartplastik. Auf Wunsch liefern wir Füße mit Filzeinlage für Holzböden.

STAPELBARKEIT (nur mit Schutzkappe unter dem Sitz für stapelbaren Stuhl):

- Bis zu etwa 4 St.
- Bei Stuhlarre bis zu 4 St.

Verbrauch COM: 0,9 ml (H. 140 cm).

Verbrauch COL: 1,2 mq.

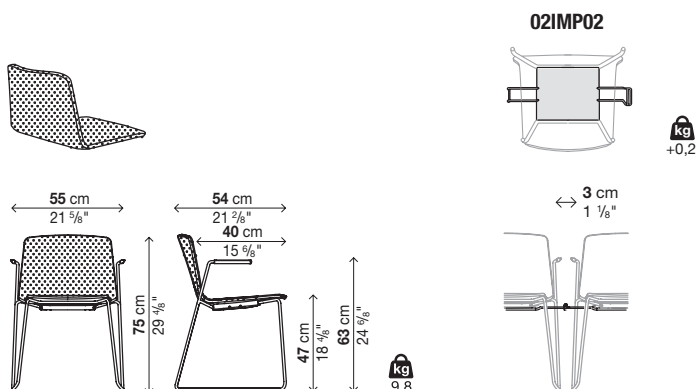
Für verstärkte Verpackungen siehe Innenseite des Umschlags.

Art.-Nr.	Gestell	Bezug											kolli	m ²	Kg			
		A	B	C	D	E	F	G	H	L1	L2	L3						
05RAM60	Lackierter Stahl																1	0,39
	Verchromter Stahl																	

jedes Frachtstück beinhaltet 2 Stühle (Kg. 24,6) / 1 Stuhl (Kg. 14,8)

Optionen

Art.-Nr.	Beschreibung	kolli	m ²	Kg
02IMP01	Schutzkappe unter dem Sitz für stapelbaren Stuhl	-	-	-
02IMP02	Schutzkappe unter dem Sitz für stapelbaren Stuhl mit Verbindungselement	1	0,02	1
02PIE09	Set Filzfüße	-	-	-
20CAR03	Stuhlarre (Stahl lackiert in schwarz)	1	0,12	19



RAMA

Hocker auf Kufengestell

Ausführung Gestell:

Verchromter Stahl
Lackierter Stahl (in den Polypropylen-Farben)

Ausführung Aufbau:

Polypropylen Weiß (PP01)
Polypropylen Schwarz (PP03)
Polypropylen Beige (PP05)
Polypropylen Hellgrau (PP11)
Polypropylen Zinkgelb (PP12)
Holz, Effekt Esche
Holz, Effekt europäische Eiche
Holz, Effekt Nussbaum
Holz, Effekt Eiche Farbe Schwarz

Ausführung Kissen Lips:

A = COM (Kundenstoff)
B = Field 2

Anmerkung:

FÜßE:
Standard in Hartplastik. Auf Wunsch liefern wir Füße mit Filzeinlage für Holzböden.

STAPELBARKEIT:

- Bis zu etwas 10 St.

VERSANDINFO DEMONTIERT:

Bei Bestellungen mit mehr als 8 Produkte, werden diese zerlegt geliefert - Sitz und Untergestell getrennt. (nur für Hocker mit nicht bezogenem Aufbau):

4 aufbau Polypropylen = 1 kolli - Kg 17 / m³ 0,23.

4 aufbau in legno = 1 kolli - Kg 19 / m³ 0,23.

4 untergestell H.66 = 1 kolli - Kg 23 / m³ 0,24.

4 untergestell H.76 = 1 kolli - Kg 25 / m³ 0,29.

Verbrauch Kissen Lips: 0,5 ml (H. 140 cm).

Für verstärkte Verpackungen siehe Innenseite des Umschlags.

Niedriger Hocker (Sitzhöhe 66 cm)

Art.-Nr.	Gestell	Aufbau		kolli	m ³	Kg
		Polypropylen	Holz			
05RAM17	Lackierter Stahl		-	1	0,36	
	Verchromter Stahl		-			
05RAM18	Lackierter Stahl	-				
	Verchromter Stahl	-				

jedes Frachtstück beinhaltet 2 Hocker (Kg. 21) / 1 Hocker (Kg. 12,5)

Hoher Hocker (Sitzhöhe 76 cm)

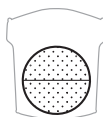
Art.-Nr.	Gestell	Aufbau		kolli	m ³	Kg
		Polypropylen	Holz			
05RAM40	Lackierter Stahl		-	1	0,40	
	Verchromter Stahl		-			
05RAM44	Lackierter Stahl	-				
	Verchromter Stahl	-				

jedes Frachtstück beinhaltet 2 Hocker (Kg. 21,6) / 1 Hocker (Kg. 12,8)

Optionen

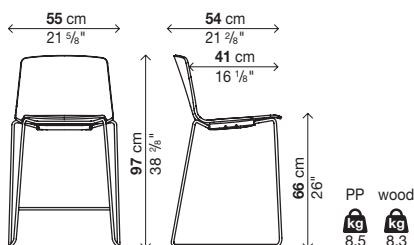
Art.-Nr.	Beschreibung	Bezug											kolli	m ²	Kg
		A	B	C	D	E	F	G	H	L1	L2	L3			
20LIR01	Abnehmbares Kissen LIPS-R (nicht abziehbar)			-	-	-	-	-	-	-	-	-	1	0,01	1
02PIE09	Set Filzfüße												-	-	-

LIPS-R (20LIR01)

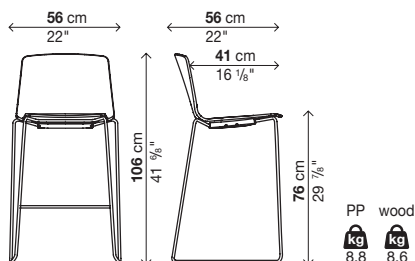


kg
0,6

05RAM17/18



05RAM40/44



RAMA

Hocker auf Kufengestell - Vorderer Bezug (nicht abziehbar)

Ausführung Gestell:

Verchromter Stahl
Lackierter Stahl (in den Polypropylen-Farben)

Ausführung Aufbau:

Polypropylen Weiß (PP01)
Polypropylen Schwarz (PP03)
Polypropylen Beige (PP05)
Polypropylen Hellgrau (PP11)
Polypropylen Zinkgelb (PP12)
Holz, Effekt Esche
Holz, Effekt europäische Eiche
Holz, Effekt Nussbaum
Holz, Effekt Eiche Farbe Schwarz

Ausführung des Bezugs:

A = Valencia (Synthetische Leder)
B = Field 2, COM (Kundenstoff)
C = Merit, Remix 2, COL (Kundenleder)
D = Clara 2, Curmi, Patio
E = Canvas 2, Hero, Regal, Scuba
F = Melange Nap, Steelcut Trio 3
G = Divina Melange 3, Hallingdal 65
H = Twill Weave
L1 = Coast (Nubukleder)
L2 = Elmosoft (Semianilinleder)
L3 = Elmotique (Anilinleder)

Anmerkung:

Gehäuse unter der Sitzfläche aus Kunststoff in den folgenden Farben:
- Untergestell Holz Farbe Natur und Aufbau Polypropylen = Gehäuse in Farbe des Aufbaus.
- Untergestell lackiertes Holz und Aufbau Polypropylen = Gehäuse in Farbe des Untergestells.
- Untergestell Holz Farbe Natur und Aufbau Holz = schwarzes Gehäuse.
- Untergestell lackiertes Holz und Aufbau Holz = Gehäuse in Farbe des Untergestells.

FÜßE:

Standard in Hartplastik. Auf Wunsch liefern wir Füße mit Filzeinlage für Holzböden.

STAPELBARKEIT (nur mit Schutzkappe unter dem Sitz für stapelbaren Stuhl):

- Bis zu etwas 4 St.

Verbrauch COM: 0,45 ml (H. 140 cm).

Verbrauch COL: 0,8 mq.

Für verstärkte Verpackungen siehe Innenseite des Umschlags.

Niedriger Hocker (Sitzhöhe 66 cm)

Art.-Nr.	Gestell	Aufbau	Vorderer Bezug											kolli	m ³	Kg	
			A	B	C	D	E	F	G	H	L1	L2	L3				
05RAM19	Lackierter Stahl	Polypropylen															
	Verchromter Stahl	Polypropylen															
05RAM20	Lackierter Stahl	Holz															
	Verchromter Stahl	Holz															

jedes Frachtstück beinhaltet 2 Hocker (Kg. 23,4) / 1 Hocker (Kg. 13,7)

Hoher Hocker (Sitzhöhe 76 cm)

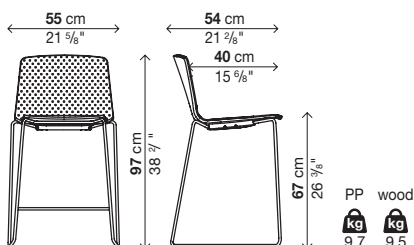
Art.-Nr.	Gestell	Aufbau	Vorderer Bezug											kolli	m ³	Kg	
			A	B	C	D	E	F	G	H	L1	L2	L3				
05RAM45	Lackierter Stahl	Polypropylen															
	Verchromter Stahl	Polypropylen															
05RAM46	Lackierter Stahl	Holz															
	Verchromter Stahl	Holz															

jedes Frachtstück beinhaltet 2 Hocker (Kg. 24) / 1 Hocker (Kg. 14)

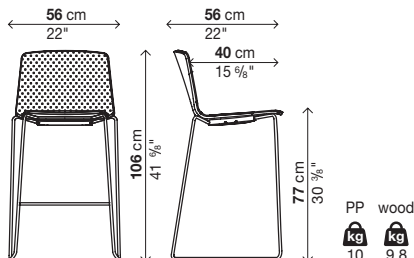
Optionen

Art.-Nr.	Beschreibung	kolli	m ³	Kg
02IMP01	Schutzkappe unter dem Sitz für stapelbaren Stuhl	-	-	-
02PIE09	Set Filzfüße	-	-	-

05RAM19/20



05RAM45/46



RAMA

Hocker auf Kufengestell - Vollständig bezogen (nicht abziehbar)

Ausführung Gestell:

Verchromter Stahl
Lackierter Stahl (in den Polypropylen-Farben)

Ausführung des Bezugs:

A = Valencia (Synthetische Leder)
B = Field 2, COM (Kundenstoff)
C = Merit, Remix 2, COL (Kundenleder)
D = Clara 2, Curmi, Patio
E = Canvas 2, Hero, Regal, Scuba
F = Melange Nap, Steelcut Trio 3
G = Divina Melange 3, Hallingdal 65
H = Twill Weave
L1 = Coast (Nubukleder)
L2 = Elmosoft (Semianilinleder)
L3 = Elmotique (Anilinleder)

Anmerkung:

Gehäuse unter der Sitzfläche aus Kunststoff in den folgenden Farben:
- Untergestell Holz Farbe Natur und vollständig bezogener Aufbau = schwarzes Gehäuse.
- Untergestell lackiertes Holz und vollständig bezogener Aufbau = Gehäuse in Farbe des Untergestells.

FÜßE:

Standard in Hartplastik. Auf Wunsch liefern wir Füße mit Filzeinlage für Holzböden.

STAPELBARKEIT (nur mit Schutzkappe unter dem Sitz für stapelbaren Stuhl):

- Bis zu etwas 4 St.

Verbrauch COM: 0,9 ml (H. 140 cm).

Verbrauch COL: 1,2 mq.

Für verstärkte Verpackungen siehe Innenseite des Umschlags.

Niedriger Hocker (Sitzhöhe 66 cm)

Art.-Nr.	Gestell	Bezug											kolli	m ³	Kg			
		A	B	C	D	E	F	G	H	L1	L2	L3						
05RAM28	Lackierter Stahl																1	0,39
	Verchromter Stahl																	

jedes Frachtstück beinhaltet 2 Hocker (Kg. 24) / 1 Hocker (Kg. 14)

Hoher Hocker (Sitzhöhe 76 cm)

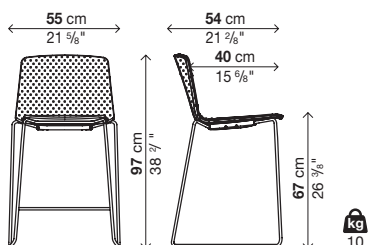
Art.-Nr.	Gestell	Bezug											kolli	m ³	Kg			
		A	B	C	D	E	F	G	H	L1	L2	L3						
05RAM47	Lackierter Stahl																1	0,39
	Verchromter Stahl																	

jedes Frachtstück beinhaltet 2 Hocker (Kg. 24,6) / 1 Hocker (Kg. 14,3)

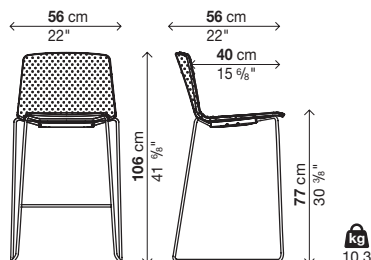
Optionen

Art.-Nr.	Beschreibung	kolli	m ³	Kg
02IMP01	Schutzkappe unter dem Sitz für stapelbaren Stuhl	-	-	-
02PIE09	Set Filzfüße	-	-	-

05RAM28

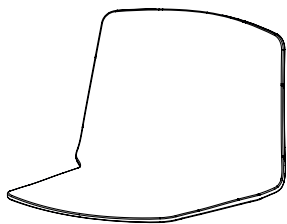


05RAM47

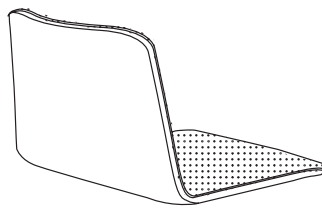


RAMA WOOD

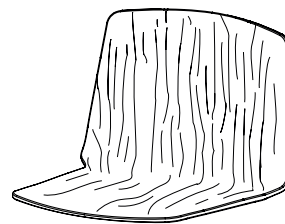
Übersicht



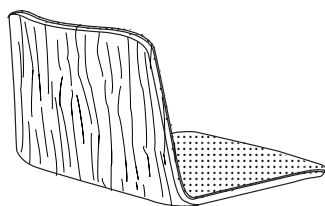
Aufbau aus Polypropylen



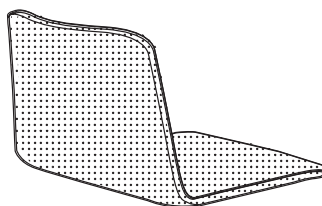
**Aufbau aus Polypropylen
mit Vorderer Bezug**



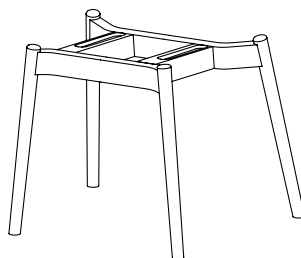
Aufbau aus Holz



**Aufbau aus Holz
mit Vorderer Bezug**



Aufbau vollständig bezogen



Vier Beine Massivholz

RAMA WOOD

Untergestell aus Holz

Ausführung Gestell:

Massives Eschenholz
 Europäische Eiche gebeiztes massives Eschenholz
 Nussbaum gebeiztes massives Eschenholz
 Schwarz gebeiztes massives Eschenholz

Ausführung Aufbau:

Polypropylen Weiß (PP01)
 Polypropylen Schwarz (PP03)
 Polypropylen Beige (PP05)
 Polypropylen Hellgrau (PP11)
 Polypropylen Zinkgelb (PP12)
 Holz, Effekt Esche
 Holz, Effekt europäische Eiche
 Holz, Effekt Nussbaum
 Holz, Effekt Eiche Farbe Schwarz

Ausführung Kissen Lips:

A = COM (Kundenstoff)
 B = Field 2

Anmerkung:

FÜßE:
 Standard in Hartplastik. Auf Wunsch liefern wir Füße mit Filzeinlage für Holzböden.

STAPELBARKEIT:

- Bis zu etwas 4 St.
 - Bei Stuhlkarre bis zu 4 St.

Verbrauch Kissen Lips: 0,5 ml (H. 140 cm).

Für verstärkte Verpackungen siehe Innenseite des Umschlags.

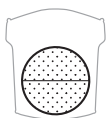
Art.-Nr.	Gestell	Aufbau		kolli	m ³	Kg
		Polypropylen	Holz			
05RAM05	Holz		-	1	0,38	
05RAM06	Holz	-				

jedes Frachtstück beinhaltet 2 Stühle (Kg. 14,2) / 1 Stuhl (Kg. 8,6)

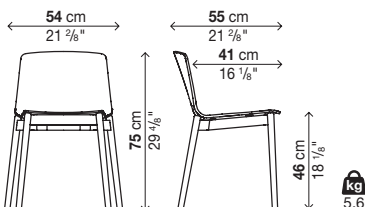
Optionen

Art.-Nr.	Beschreibung	Bezug											kolli	m ³	Kg
		A	B	C	D	E	F	G	H	L1	L2	L3			
20LIR01	Abnehmbares Kissen LIPS-R (nicht abziehbar)			-	-	-	-	-	-	-	-	-	1	0,01	1
02PIE08	Set Filzfüße												-	-	-
20CAR03	Stuhlkarre (Stahl lackiert in schwarz)												1	0,12	19

LIPS-R (20LIR01)



kg
0,6



RAMA WOOD

Untergestell aus Holz - Vorderer Bezug (nicht abziehbar)

Ausführung Gestell:

Massives Eschenholz
 Europäische Eiche gebeiztes massives Eschenholz
 Nussbaum gebeiztes massives Eschenholz
 Schwarz gebeiztes massives Eschenholz

Ausführung Aufbau:

Polypropylen Weiß (PP01)
 Polypropylen Schwarz (PP03)
 Polypropylen Beige (PP05)
 Polypropylen Hellgrau (PP11)
 Polypropylen Zinkgelb (PP12)
 Holz, Effekt Esche
 Holz, Effekt europäische Eiche
 Holz, Effekt Nussbaum
 Holz, Effekt Eiche Farbe Schwarz

Ausführung des Bezugs:

A = Valencia (Synthetische Leder)
 B = Field 2, COM (Kundenstoff)
 C = Merit, Remix 2, COL (Kundenleder)
 D = Clara 2, Curmi, Patio
 E = Canvas 2, Hero, Regal, Scuba
 F = Melange Nap, Steelcut Trio 3
 G = Divina Melange 3, Hallingdal 65
 H = Twill Weave
 L1 = Coast (Nubukleder)
 L2 = Elmosoft (Semianilinleder)
 L3 = Elmotique (Anilinleder)

Anmerkung:

FÜßE:
 Standard in Hartplastik. Auf Wunsch liefern wir Füße mit Filzeinlage für Holzböden.

NICHT stapelbar.

Verbrauch COM: 0,45 ml (H. 140 cm).
 Verbrauch COL: 0,8 mq.

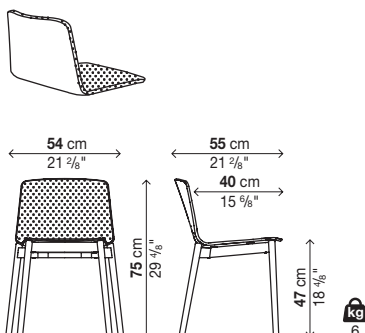
Für verstärkte Verpackungen siehe Innenseite des Umschlags.

Art.-Nr.	Gestell	Aufbau	Vorderer Bezug											kolli	m³	Kg			
			A	B	C	D	E	F	G	H	L1	L2	L3						
05RAM07	Holz	Polypropylen															1	0,38	
05RAM08	Holz	Holz																	

jedes Frachtstück beinhaltet 2 Stühle (Kg. 15) / 1 Stuhl (Kg. 9)

Optionen

Art.-Nr.	Beschreibung	kolli	m³	Kg
02PIE08	Set Filzfüße	-	-	-



RAMA WOOD

Untergestell aus Holz - Vollständig bezogen (nicht abziehbar)

Ausführung Gestell:

Massives Eschenholz
 Europäische Eiche gebeiztes massives Eschenholz
 Nussbaum gebeiztes massives Eschenholz
 Schwarz gebeiztes massives Eschenholz

Ausführung des Bezugs:

A = Valencia (Synthetische Leder)
 B = Field 2, COM (Kundenstoff)
 C = Merit, Remix 2, COL (Kundenleder)
 D = Clara 2, Curmi, Patio
 E = Canvas 2, Hero, Regal, Scuba
 F = Melange Nap, Steelcut Trio 3
 G = Divina Melange 3, Hallingdal 65
 H = Twill Weave
 L1 = Coast (Nubukleder)
 L2 = Elmosoft (Semianilinleder)
 L3 = Elmotique (Anilinleder)

Anmerkung:

FÜßE:
 Standard in Hartplastik. Auf Wunsch liefern wir Füße mit Filzeinlage für Holzböden.

NICHT stapelbar.

Verbrauch COM: 0,9 ml (H. 140 cm).
 Verbrauch COL: 1,2 mq.

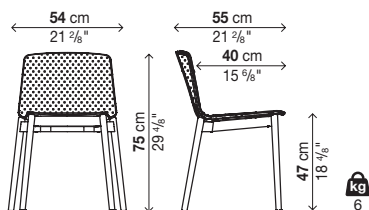
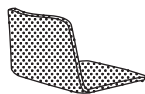
Für verstärkte Verpackungen siehe Innenseite des Umschlags.

Art.-Nr.	Gestell	Bezug											kolli	m ²	Kg		
		A	B	C	D	E	F	G	H	L1	L2	L3					
05RAM09	Holz														1	0,38	

jedes Frachtstück beinhaltet 2 Stühle (Kg. 15) / 1 Stuhl (Kg. 9)

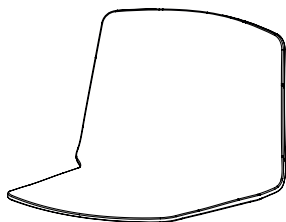
Optionen

Art.-Nr.	Beschreibung	kolli	m ²	Kg
02PIE08	Set Filzfüße	-	-	-

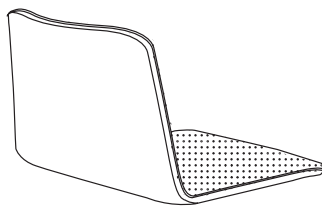


RAMA

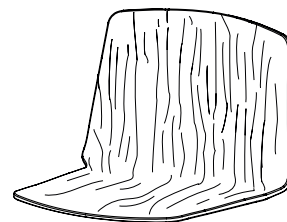
Légende



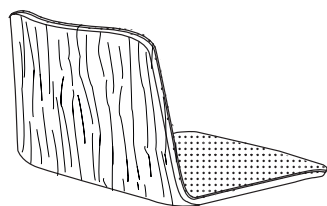
Coque en polypropylène



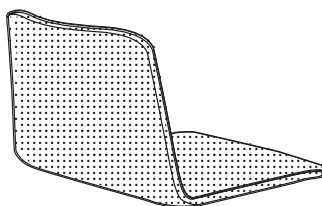
**Coque en polypropylène
avec revêtement avant**



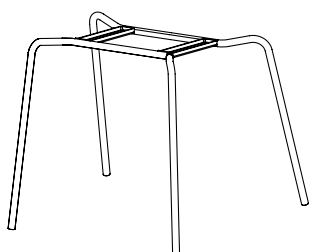
Coque en bois



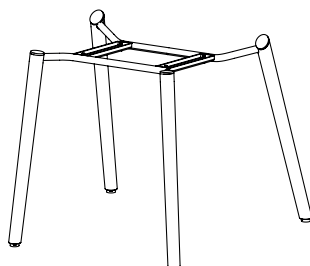
**Coque en bois
avec revêtement avant**



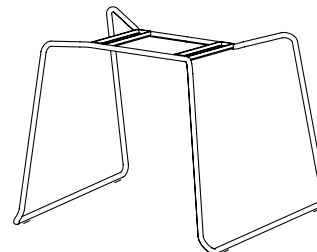
Coque entièrement revêtue



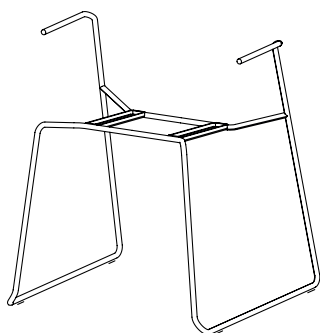
Quatre pieds



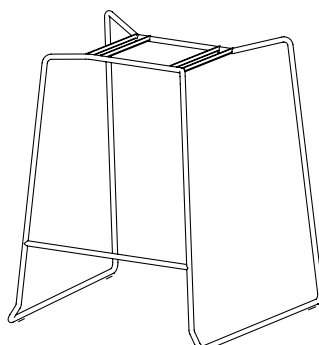
Quatre pieds en bois et métal



Luge



Luge avec accoudoirs



Tabouret

RAMA

Quatre pieds

Finition piètement:

Acier chromé
Acier laqué (coloris assortis au polypropylène)

Finition coque:

Polypropylène blanc (PP01)
Polypropylène noir (PP03)
Polypropylène beige (PP05)
Polypropylène gris clair (PP11)
Polypropylène jaune zinc (PP12)
Bois aspect frêne
Bois aspect chêne européen
Bois aspect noyer
Bois aspect chêne teinté noir

Finition revêtement coussin Lips:

A = COM (tissu Client)
B = Field 2

Notes:

Protection sous-assise en plastique disponible dans les coloris suivants:
- piètement acier laqué et coque polypropylène = coloris protection assorti au piètement.
- piètement acier chromé et coque polypropylène = coloris protection assorti à la coque.
- piètement acier laqué et coque bois = coloris protection assorti au piètement.
- piètement acier chromé et coque bois = coloris protection noir.

PIEDS:

Standard en plastique dur. Sur demande, nous fournissons des pieds avec insert en feutre pour sols en bois.

GERBABILITÉ:

- Allant jusqu'à 10 pz.
- Sur le chariot allant jusqu'à 12 pz.

Consommation coussin Lips: 0,5 ml (H. 140 cm).

Emballages renforcés, voir intérieur de la couverture.

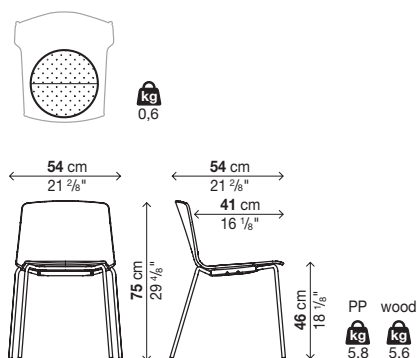
Code	Pietàlement	Coque		colis m ³	Kg
		Polypropylène	Bois		
05RAM13	Acier chromé, Acier laqué		-	1	0,37
05RAM35	Acier chromé, Acier laqué	-			

chaque colis 4 chaises (Kg. 28,2) / 3 chaises (Kg. 22,4) / 2 chaises (Kg. 16,6) / 1 chaise (Kg. 10,8)

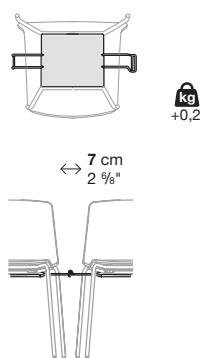
Optionals

Code	Description	Revêtement											colis m ³	Kg	
		A	B	C	D	E	F	G	H	L1	L2	L3			
20LIR01	Coussin amovible LIPS-R (non déhoussable)			-	-	-	-	-	-	-	-	-	1	0,01	1
02IMP02	Couvercle sous-assise pour l'empilage, avec élément d'union												1	0,02	1
02PIE06	Lot de patins en feutre												-	-	-
20CAR03	Chariot pour transport chaises (acier laqué noir)												1	0,12	19

LIPS-R (20LIR01)



02IMP02



RAMA

Quatre pieds - Revêtement avant (non déhoussable)

Finition piètement:

Acier chromé

Acier laqué (coloris assortis au polypropylène)

Finition coque:

Polypropylène blanc (PP01)

Polypropylène noir (PP03)

Polypropylène beige (PP05)

Polypropylène gris clair (PP11)

Polypropylène jaune zinc (PP12)

Bois aspect frêne

Bois aspect chêne européen

Bois aspect noyer

Bois aspect chêne teinté noir

Finition du revêtement:

A = Valencia (cuir synthétique)

B = Field 2, COM (tissu Client)

C = Merit, Remix 2, COL (cuir du Client)

D = Clara 2, Curmi, Patio

E = Canvas 2, Hero, Regal, Scuba

F = Melange Nap, Steelcut Trio 3

G = Divina Melange 3, Hallingdal 65

H = Twill Weave

L1 = Coast (cuir fleur corrigé)

L2 = Elmosoft (cuir semi-aniline)

L3 = Elmotique (cuir aniline)

Notes:

Protection sous-assise en plastique disponible dans les coloris suivants:

- piètement acier laqué et coque polypropylène = coloris protection assorti au piètement.
- piètement acier chromé et coque polypropylène = coloris protection assorti à la coque.
- piètement acier laqué et coque bois = coloris protection assorti au piètement.
- piètement acier chromé et coque bois = coloris protection noir.

PIEDS:

Standard en plastique dur. Sur demande, nous fournissons des pieds avec insert en feutre pour sols en bois.

GERBABILITÉ (seulement avec couvercle sous-assise pour l'empilage):

- Allant jusqu'à 4 pz.
- Sur le chariot allant jusqu'à 4 pz.

Consommation COM: 0,45 ml (H. 140 cm).

Consommation COL: 0,8 mq.

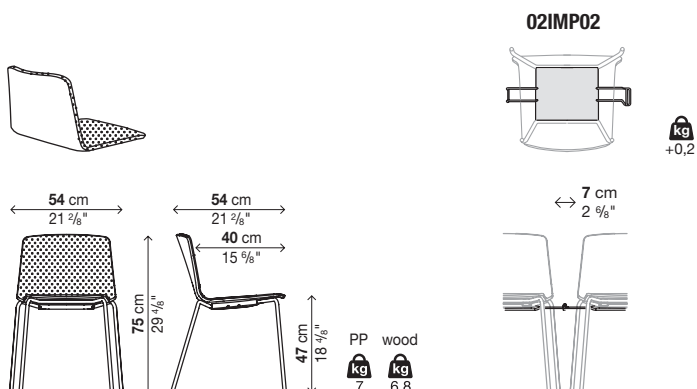
Emballages renforcés, voir intérieur de la couverture.

Code	Piètement	Coque	Revêtement avant										colis	m ²	Kg			
			A	B	C	D	E	F	G	H	L1	L2				L3		
05RAM14	Acier chromé, Acier laqué	Polypropylène															1	0,37
05RAM36	Acier chromé, Acier laqué	Bois																

chaque colis 2 chaises (Kg. 19) / 1 chaise (Kg. 12)

Optionals

Code	Description	colis	m ²	Kg
02IMP01	Couvercle sous-assise pour l'empilage	-	-	-
02IMP02	Couvercle sous-assise pour l'empilage, avec élément d'union	1	0,02	1
02PIE06	Lot de patins en feutre	-	-	-
20CAR03	Chariot pour transport chaises (acier laqué noir)	1	0,12	19



RAMA

Quatre pieds - Entièrement revêtue (non déhoussable)

Finition piètement:

Acier chromé

Acier laqué (coloris assortis au polypropylène)

Finition du revêtement:

A = Valencia (cuir synthétique)

B = Field 2, COM (tissu Client)

C = Merit, Remix 2, COL (cuir du Client)

D = Clara 2, Curmi, Patio

E = Canvas 2, Hero, Regal, Scuba

F = Melange Nap, Steelcut Trio 3

G = Divina Melange 3, Hallingdal 65

H = Twill Weave

L1 = Coast (cuir fleur corrigé)

L2 = Elmosoft (cuir semi-aniline)

L3 = Elmotique (cuir aniline)

Notes:

Protection sous-assise en plastique disponible dans les coloris suivants:

- piètement acier laqué et coque entièrement revêtue = protection coloris assorti au piètement.

- piètement acier chromé et coque entièrement revêtue = protection noir.

PIEDS:

Standard en plastique dur. Sur demande, nous fournissons des pieds avec insert en feutre pour sols en bois.

GERBABILITÉ (seulement avec couvercle sous-assise pour l'empilage):

- Allant jusqu'à 4 pz.

- Sur le chariot allant jusqu'à 4 pz.

Consommation COM: 0,9 ml (H. 140 cm).

Consommation COL: 1,2 mq.

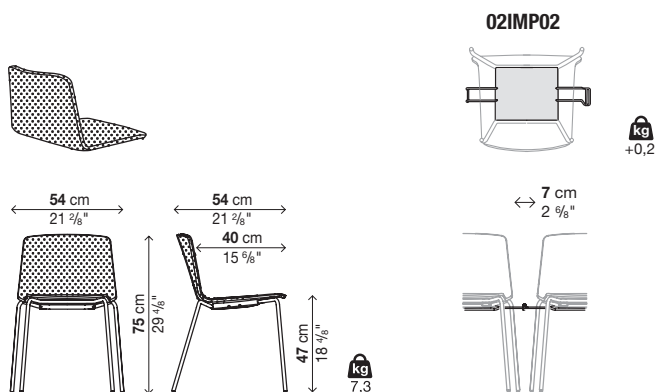
Emballages renforcés, voir intérieur de la couverture.

Code	Piètement	Revêtement											colis m³	Kg			
		A	B	C	D	E	F	G	H	L1	L2	L3					
05RAM37	Acier chromé, Acier laqué															1	0,39

chaque colis 2 chaises (Kg. 19,6) / 1 chaise (Kg. 12,3)

Optionals

Code	Description	colis m³	Kg
02IMP01	Couvercle sous-assise pour l'empilage	-	-
02IMP02	Couvercle sous-assise pour l'empilage, avec élément d'union	1	0,02 1
02PIE06	Lot de patins en feutre	-	-
20CAR03	Chariot pour transport chaises (acier laqué noir)	1	0,12 19



RAMA

Quatre pieds bois

Finition piètement:

Bois massif chêne européen
Bois massif laqué (coloris assortis au polypropylène)

Finition coque:

Polypropylène blanc (PP01)
Polypropylène noir (PP03)
Polypropylène beige (PP05)
Polypropylène gris clair (PP11)
Polypropylène jaune zinc (PP12)
Bois aspect chêne européen
Bois aspect chêne teinté noir

Finition revêtement coussin Lips:

A = COM (tissu Client)
B = Field 2

Notes:

Protection sous-assise en plastique disponible dans les coloris suivants:
- piètement acier laqué et coque polypropylène = coloris protection assorti au piètement.
- piètement acier chromé et coque polypropylène = coloris protection assorti à la coque.
- piètement acier laqué et coque bois = coloris protection assorti au piètement.
- piètement acier chromé et coque bois = coloris protection noir.

PIEDS:

Standard en plastique dur. Sur demande, nous fournissons des pieds avec insert en feutre pour sols en bois.

GERBABILITÉ:

- Allant jusqu'à 5 pz.
- Sur le chariot allant jusqu'à 10 pz.

Consommation coussin Lips: 0,5 ml (H. 140 cm).

Emballages renforcés, voir intérieur de la couverture.

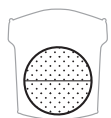
Code	Piètement	Coque		colis	m ³	Kg
		Polypropylène	Bois			
05RAM03	Chêne européen, Bois laqué		-	1	0,43	
05RAM29	Chêne européen, Bois laqué	-				

chaque colis 4 chaises (Kg. 28,6) / 3 chaises (Kg. 22,7) / 2 chaises (Kg. 16,8) / 1 chaise (Kg. 10,9)

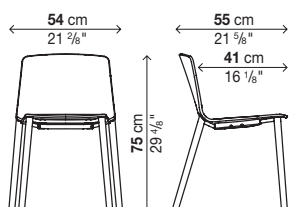
Optionals

Code	Description	Revêtement											colis	m ³	Kg	
		A	B	C	D	E	F	G	H	L1	L2	L3				
20LIR01	Coussin amovible LIPS-R (non déhoussable)			-	-	-	-	-	-	-	-	-	-	1	0,01	1
02IMP02	Couvercle sous-assise pour l'empilage, avec élément d'union													1	0,02	1
02PIE07	Lot de patins en feutre													-	-	-
20CAR03	Chariot pour transport chaises (acier laqué noir)													1	0,12	19

LIPS-R (20LIR01)

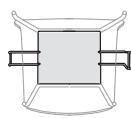


kg
0,6

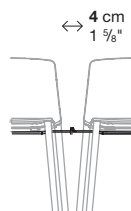


PP wood
kg 5,9 kg 5,7

02IMP02



kg
+0,2



RAMA

Quatre pieds bois - Entièrement revêtue (non déhoussable)

Finition piètement:

Bois massif chêne européen
Bois massif laqué (coloris assortis au polypropylène)

Finition du revêtement:

A = Valencia (cuir synthétique)
B = Field 2, COM (tissu Client)
C = Merit, Remix 2, COL (cuir du Client)
D = Clara 2, Curmi, Patio
E = Canvas 2, Hero, Regal, Scuba
F = Melange Nap, Steelcut Trio 3
G = Divina Melange 3, Hallingdal 65
H = Twill Weave
L1 = Coast (cuir fleur corrigé)
L2 = Elmosoft (cuir semi-aniline)
L3 = Elmotique (cuir aniline)

Notes:

Protection sous-assise en plastique disponible dans les coloris suivants:
- piètement acier laqué et coque entièrement revêtue = protection coloris assorti au piètement.
- piètement acier chromé et coque entièrement revêtue = protection noir.

PIEDS:

Standard en plastique dur. Sur demande, nous fournissons des pieds avec insert en feutre pour sols en bois.

GERBABILITÉ (seulement avec couvercle sous-assise pour l'empilage):

- Allant jusqu'à 4 pz.
- Sur le chariot allant jusqu'à 4 pz.

Consommation COM: 0,9 ml (H. 140 cm).

Consommation COL: 1,2 mq.

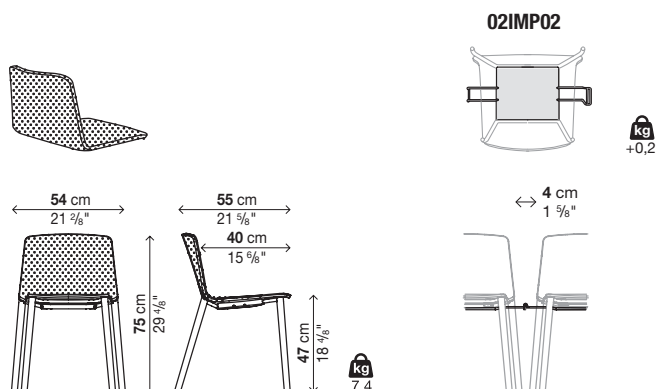
Emballages renforcés, voir intérieur de la couverture.

Code	Piètement	Revêtement											colis	m³	Kg		
		A	B	C	D	E	F	G	H	L1	L2	L3					
05RAM34	Chêne européen, Bois laqué															1	0,39

chaque colis 2 chaises (Kg. 19,8) / 1 chaise (Kg. 12,4)

Optionals

Code	Description	colis	m³	Kg
02IMP01	Couvercle sous-assise pour l'empilage	-	-	-
02IMP02	Couvercle sous-assise pour l'empilage, avec élément d'union	1	0,02	1
02PIE07	Lot de patins en feutre	-	-	-
20CAR03	Chariot pour transport chaises (acier laqué noir)	1	0,12	19



RAMA

Luge

Finition piètement:

Acier chromé

Acier laqué (coloris assortis au polypropylène)

Finition coque:

Polypropylène blanc (PP01)

Polypropylène noir (PP03)

Polypropylène beige (PP05)

Polypropylène gris clair (PP11)

Polypropylène jaune zinc (PP12)

Bois aspect frêne

Bois aspect chêne européen

Bois aspect noyer

Bois aspect chêne teinté noir

Finition revêtement coussin Lips:

A = COM (tissu Client)

B = Field 2

Notes:

Protection sous-assise en plastique disponible dans les coloris suivants:

- piètement acier laqué et coque polypropylène = coloris protection assorti au piètement.

- piètement acier chromé et coque polypropylène = coloris protection assorti à la coque.

- piètement acier laqué et coque bois = coloris protection assorti au piètement.

- piètement acier chromé et coque bois = coloris protection noir.

PIEDS:

Standard en plastique dur. Sur demande, nous fournissons des pieds avec insert en feutre pour sols en bois.

GERBABILITÉ:

- Allant jusqu'à 10 pz.

- Sur le chariot allant jusqu'à 15 pz.

Consommation coussin Lips: 0,5 ml (H. 140 cm).

Emballages renforcés, voir intérieur de la couverture.

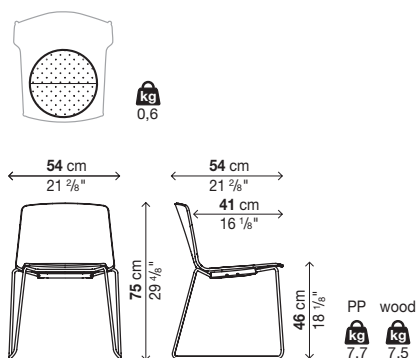
Code	Pietàment	Coque		colis m ³	Kg
		Polypropylène	Bois		
05RAM15	Acier laqué		-	1	0,37
	Acier chromé		-		
05RAM63	Acier laqué	-			
	Acier chromé	-			

chaque colis 4 chaises (Kg. 35,8) / 3 chaises (Kg. 28,1) / 2 chaises (Kg. 16,6) / 1 chaise (Kg. 12,7)

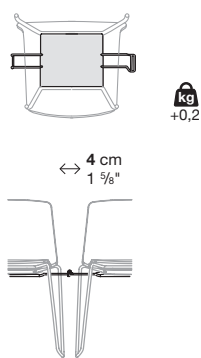
Optionals

Code	Description	Revêtement											colis m ³	Kg	
		A	B	C	D	E	F	G	H	L1	L2	L3			
20LIR01	Coussin amovible LIPS-R (non déhoussable)			-	-	-	-	-	-	-	-	-	1	0,01	1
02IMP02	Couvercle sous-assise pour l'empilage, avec élément d'union												1	0,02	1
02PIE09	Lot de patins en feutre												-	-	-
20CAR03	Chariot pour transport chaises (acier laqué noir)												1	0,12	19

LIPS-R (20LIR01)



02IMP02



RAMA

Luge - Revêtement avant (non déhoussable)

Finition piètement:

Acier chromé

Acier laqué (coloris assortis au polypropylène)

Finition coque:

Polypropylène blanc (PP01)

Polypropylène noir (PP03)

Polypropylène beige (PP05)

Polypropylène gris clair (PP11)

Polypropylène jaune zinc (PP12)

Bois aspect frêne

Bois aspect chêne européen

Bois aspect noyer

Bois aspect chêne teinté noir

Finition du revêtement:

A = Valencia (cuir synthétique)

B = Field 2, COM (tissu Client)

C = Merit, Remix 2, COL (cuir du Client)

D = Clara 2, Curmi, Patio

E = Canvas 2, Hero, Regal, Scuba

F = Melange Nap, Steelcut Trio 3

G = Divina Melange 3, Hallingdal 65

H = Twill Weave

L1 = Coast (cuir fleur corrigé)

L2 = Elmosoft (cuir semi-aniline)

L3 = Elmotique (cuir aniline)

Notes:

Protection sous-assise en plastique disponible dans les coloris suivants:

- piètement acier laqué et coque polypropylène = coloris protection assorti au piètement.
- piètement acier chromé et coque polypropylène = coloris protection assorti à la coque.
- piètement acier laqué et coque bois = coloris protection assorti au piètement.
- piètement acier chromé et coque bois = coloris protection noir.

PIEDS:

Standard en plastique dur. Sur demande, nous fournissons des pieds avec insert en feutre pour sols en bois.

GERBABILITÉ (seulement avec couvercle sous-assise pour l'empilage):

- Allant jusqu'à 4 pz.
- Sur le chariot allant jusqu'à 4 pz.

Consommation COM: 0,45 ml (H. 140 cm).

Consommation COL: 0,8 mq.

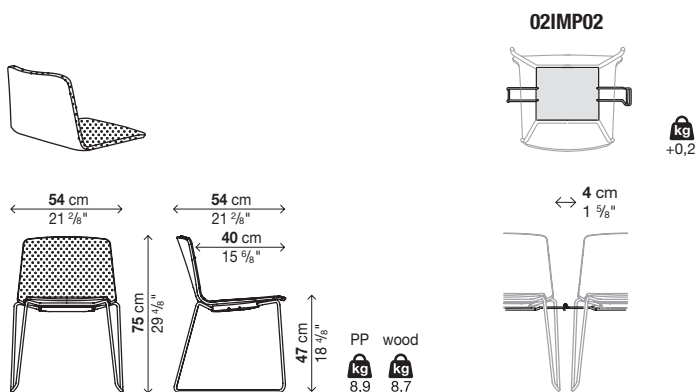
Emballages renforcés, voir intérieur de la couverture.

Code	Piètement	Coque	Revêtement avant											colis	m ³	Kg		
			A	B	C	D	E	F	G	H	L1	L2	L3					
05RAM16	Acier laqué	Polypropylène															1	0,37
	Acier chromé	Polypropylène																
05RAM38	Acier laqué	Bois															1	0,37
	Acier chromé	Bois																

chaque colis 2 chaises (Kg. 22,8) / 1 chaise (Kg. 13,9)

Optionals

Code	Description	colis	m ³	Kg
02IMP01	Couvercle sous-assise pour l'empilage	-	-	-
02IMP02	Couvercle sous-assise pour l'empilage, avec élément d'union	1	0,02	1
02PIE09	Lot de patins en feutre	-	-	-
20CAR03	Chariot pour transport chaises (acier laqué noir)	1	0,12	19



RAMA

Luge - Entièrement revêtue (non déhoussable)

Finition piètement:

Acier chromé

Acier laqué (coloris assortis au polypropylène)

Finition du revêtement:

A = Valencia (cuir synthétique)

B = Field 2, COM (tissu Client)

C = Merit, Remix 2, COL (cuir du Client)

D = Clara 2, Curmi, Patio

E = Canvas 2, Hero, Regal, Scuba

F = Melange Nap, Steelcut Trio 3

G = Divina Melange 3, Hallingdal 65

H = Twill Weave

L1 = Coast (cuir fleur corrigé)

L2 = Elmosoft (cuir semi-aniline)

L3 = Elmotique (cuir aniline)

Notes:

Protection sous-assise en plastique disponible dans les coloris suivants:

- piètement acier laqué et coque entièrement revêtue = protection coloris assorti au piètement.

- piètement acier chromé et coque entièrement revêtue = protection noir.

PIEDS:

Standard en plastique dur. Sur demande, nous fournissons des pieds avec insert en feutre pour sols en bois.

GERBABILITÉ (seulement avec couvercle sous-assise pour l'empilage):

- Allant jusqu'à 4 pz.

- Sur le chariot allant jusqu'à 4 pz.

Consommation COM: 0,9 ml (H. 140 cm).

Consommation COL: 1,2 mq.

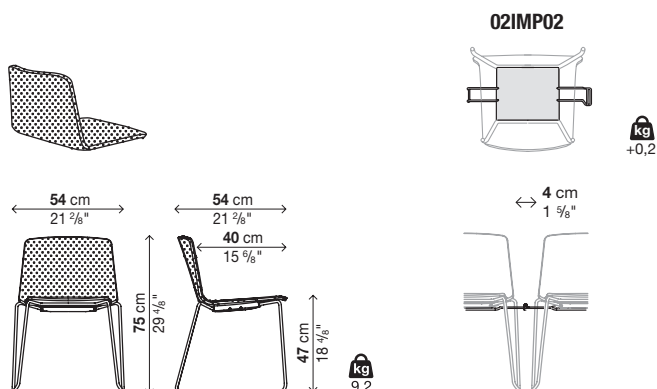
Emballages renforcés, voir intérieur de la couverture.

Code	Piètement	Revêtement											colis	m ³	Kg			
		A	B	C	D	E	F	G	H	L1	L2	L3						
05RAM39	Acier laqué																1	0,39
	Acier chromé																	

chaque colis 2 chaises (Kg. 23,4) / 1 chaise (Kg. 14,2)

Optionals

Code	Description	colis	m ³	Kg
02IMP01	Couvercle sous-assise pour l'empilage	-	-	-
02IMP02	Couvercle sous-assise pour l'empilage, avec élément d'union	1	0,02	1
02PIE09	Lot de patins en feutre	-	-	-
20CAR03	Chariot pour transport chaises (acier laqué noir)	1	0,12	19



RAMA

Luge avec accoudoirs

Finition piètement:

Acier chromé

Acier laqué (coloris assortis au polypropylène)

Finition coque:

Polypropylène blanc (PP01)

Polypropylène noir (PP03)

Polypropylène beige (PP05)

Polypropylène gris clair (PP11)

Polypropylène jaune zinc (PP12)

Bois aspect frêne

Bois aspect chêne européen

Bois aspect noyer

Bois aspect chêne teinté noir

Finition revêtement coussin Lips:

A = COM (tissu Client)

B = Field 2

Notes:

Protection sous-assise et accoudoir en plastique disponibles dans les coloris suivants:

- piètement acier laqué et coque polypropylène = coloris protection/accoudoir assorti au piètement.
- piètement acier chromé et coque polypropylène = protection/accoudoir: coloris assorti à la coque.
- piètement acier laqué et coque bois = coloris protection/accoudoir assorti au piètement.
- piètement acier chromé et coque bois = coloris protection/accoudoir noir.

PIEDS:

Standard en plastique dur. Sur demande, nous fournissons des pieds avec insert en feutre pour sols en bois.

GERBABILITÉ:

- Allant jusqu'à 10 pz.

- Sur le chariot allant jusqu'à 12 pz.

Consommation coussin Lips: 0,5 ml (H. 140 cm).

Emballages renforcés, voir intérieur de la couverture.

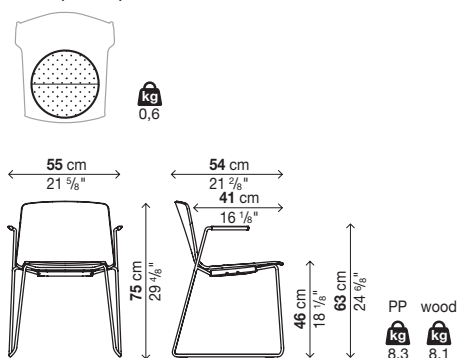
Code	Piètement	Coque		colis	m³	Kg
		Polypropylène	Bois			
05RAM48	Acier laqué		-	1	0,37	
	Acier chromé		-			
05RAM50	Acier laqué	-				
	Acier chromé	-				

chaque colis 4 chaises (Kg. 38,2) / 3 chaises (Kg. 29,9) / 2 chaises (Kg. 21,6) / 1 chaise (Kg. 13,3)

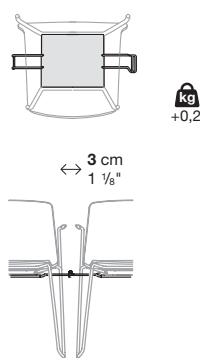
Optionals

Code	Description	Revêtement											colis	m³	Kg		
		A	B	C	D	E	F	G	H	L1	L2	L3					
20LIR01	Coussin amovible LIPS-R (non déhoussable)			-	-	-	-	-	-	-	-	-	-	-	1	0,01	1
02IMP02	Couvercle sous-assise pour l'empilage, avec élément d'union														1	0,02	1
02PIE09	Lot de patins en feutre														-	-	-
20CAR03	Chariot pour transport chaises (acier laqué noir)														1	0,12	19

LIPS-R (20LIR01)



02IMP02



RAMA

Luge avec accoudoirs - Revêtement avant (non déhoussable)

Finition piètement:

Acier chromé

Acier laqué (coloris assortis au polypropylène)

Finition coque:

Polypropylène blanc (PP01)

Polypropylène noir (PP03)

Polypropylène beige (PP05)

Polypropylène gris clair (PP11)

Polypropylène jaune zinc (PP12)

Bois aspect frêne

Bois aspect chêne européen

Bois aspect noyer

Bois aspect chêne teinté noir

Finition du revêtement:

A = Valencia (cuir synthétique)

B = Field 2, COM (tissu Client)

C = Merit, Remix 2, COL (cuir du Client)

D = Clara 2, Curmi, Patio

E = Canvas 2, Hero, Regal, Scuba

F = Melange Nap, Steelcut Trio 3

G = Divina Melange 3, Hallingdal 65

H = Twill Weave

L1 = Coast (cuir fleur corrigé)

L2 = Elmosoft (cuir semi-aniline)

L3 = Elmotique (cuir aniline)

Notes:

Protection sous-assise et accoudoir en plastique disponibles dans les coloris suivants:

- piètement acier laqué et coque polypropylène = coloris protection/accoudoir assorti au piètement.

- piètement acier chromé et coque polypropylène = protection/accoudoir: coloris assorti à la coque.

- piètement acier laqué et coque bois = coloris protection/accoudoir assorti au piètement.

- piètement acier chromé et coque bois = coloris protection/accoudoir noir.

PIEDS:

Standard en plastique dur. Sur demande, nous fournissons des pieds avec insert en feutre pour sols en bois.

GERBABILITÉ (seulement avec couvercle sous-assise pour l'empilage):

- Allant jusqu'à 4 pz.

- Sur le chariot allant jusqu'à 4 pz.

Consommation COM: 0,45 ml (H. 140 cm).

Consommation COL: 0,8 mq.

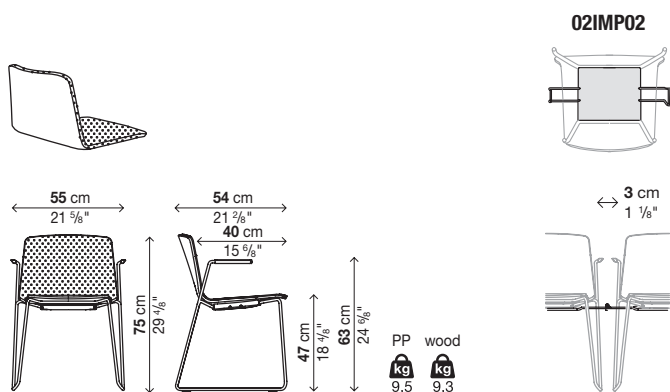
Emballages renforcés, voir intérieur de la couverture.

Code	Piètement	Coque	Revêtement avant											colis	m ³	Kg		
			A	B	C	D	E	F	G	H	L1	L2	L3					
05RAM49	Acier laqué	Polypropylène															1	0,37
	Acier chromé	Polypropylène																
05RAM59	Acier laqué	Bois																
	Acier chromé	Bois																

chaque colis 2 chaises (Kg. 24) / 1 chaise (Kg. 14,5)

Optionals

Code	Description	colis	m ³	Kg
02IMP01	Couvercle sous-assise pour l'empilage	-	-	-
02IMP02	Couvercle sous-assise pour l'empilage, avec élément d'union	1	0,02	1
02PIE09	Lot de patins en feutre	-	-	-
20CAR03	Chariot pour transport chaises (acier laqué noir)	1	0,12	19



RAMA

Luge avec accoudoirs - Entièrement revêtue (non déhoussable)

Finition piètement:

Acier chromé

Acier laqué (coloris assortis au polypropylène)

Finition du revêtement:

A = Valencia (cuir synthétique)

B = Field 2, COM (tissu Client)

C = Merit, Remix 2, COL (cuir du Client)

D = Clara 2, Curmi, Patio

E = Canvas 2, Hero, Regal, Scuba

F = Melange Nap, Steelcut Trio 3

G = Divina Melange 3, Hallingdal 65

H = Twill Weave

L1 = Coast (cuir fleur corrigé)

L2 = Elmosoft (cuir semi-aniline)

L3 = Elmotique (cuir aniline)

Notes:

Protection sous-assise et accoudoir en plastique disponibles dans les coloris suivants:

- piètement acier laqué et coque entièrement revêtue = coloris

protection/accoudoir assorti au piètement.

- piètement acier chromé et coque entièrement revêtue = protection/accoudoir noir.

PIEDS:

Standard en plastique dur. Sur demande, nous fournissons des pieds avec insert en feutre pour sols en bois.

GERBABILITÉ (seulement avec couvercle sous-assise pour l'empilage):

- Allant jusqu'à 4 pz.

- Sur le chariot allant jusqu'à 4 pz.

Consommation COM: 0,9 ml (H. 140 cm).

Consommation COL: 1,2 mq.

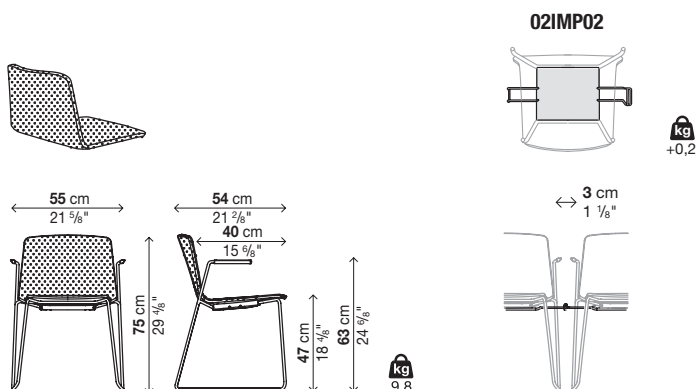
Emballages renforcés, voir intérieur de la couverture.

Code	Piètement	Revêtement											colis	m ³	Kg			
		A	B	C	D	E	F	G	H	L1	L2	L3						
05RAM60	Acier laqué																1	0,39
	Acier chromé																	

chaque colis 2 chaises (Kg. 24,6) / 1 chaise (Kg. 14,8)

Optionals

Code	Description	colis	m ³	Kg
02IMP01	Couvercle sous-assise pour l'empilage	-	-	-
02IMP02	Couvercle sous-assise pour l'empilage, avec élément d'union	1	0,02	1
02PIE09	Lot de patins en feutre	-	-	-
20CAR03	Chariot pour transport chaises (acier laqué noir)	1	0,12	19



RAMA

Tabouret piètement luge

Finition piètement:

Acier chromé

Acier laqué (coloris assortis au polypropylène)

Finition coque:

Polypropylène blanc (PP01)

Polypropylène noir (PP03)

Polypropylène beige (PP05)

Polypropylène gris clair (PP11)

Polypropylène jaune zinc (PP12)

Bois aspect frêne

Bois aspect chêne européen

Bois aspect noyer

Bois aspect chêne teinté noir

Finition revêtement coussin Lips:

A = COM (tissu Client)

B = Field 2

Notes:

PIEDS:

Standard en plastique dur. Sur demande, nous fournissons des pieds avec insert en feutre pour sols en bois.

GERBABILITÉ:

- Allant jusqu'à 10 pz.

INFORMATIONS SUR L'EXPÉDITION DÉMONTÉES:

Pour des commandes de plus de 8 articles, les chaises seront livrées démontées.

(uniquement pour tabourets avec coque sans revêtement):

4 coques en polypropylène = 1 colis - Kg 17 / m³ 0,23.

4 coques en bois = 1 colis - Kg 19 / m³ 0,23.

4 piètements H.66 = 1 colis - Kg 23 / m³ 0,24.

4 piètements H.76 = 1 colis - Kg 25 / m³ 0,29.

Consommation coussin Lips: 0,5 ml (H. 140 cm).

Emballages renforcés, voir intérieur de la couverture.

Tabouret bas (hauteur assise 66 cm)

Code	Piètement	Coque		colis	m ³	Kg
		Polypropylène	Bois			
05RAM17	Acier laqué		-	1	0,36	
	Acier chromé		-			
05RAM18	Acier laqué	-				
	Acier chromé	-				

chaque colis contient 2 tabourets (Kg. 21) / 1 tabouret (Kg. 12,5)

Tabouret haut (hauteur assise 76 cm)

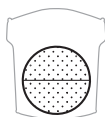
Code	Piètement	Coque		colis	m ³	Kg
		Polypropylène	Bois			
05RAM40	Acier laqué		-	1	0,40	
	Acier chromé		-			
05RAM44	Acier laqué	-				
	Acier chromé	-				

chaque colis contient 2 tabourets (Kg. 21,6) / 1 tabouret (Kg. 12,8)

Optionals

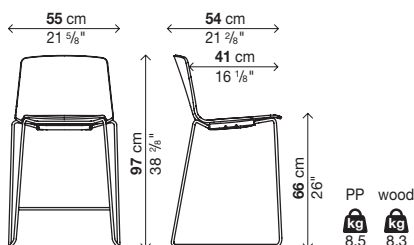
Code	Description	Revêtement											colis	m ³	Kg
		A	B	C	D	E	F	G	H	L1	L2	L3			
20LIR01	Coussin amovible LIPS-R (non déhoussable)			-	-	-	-	-	-	-	-	-	1	0,01	1
02PIE09	Lot de patins en feutre												-	-	-

LIPS-R (20LIR01)

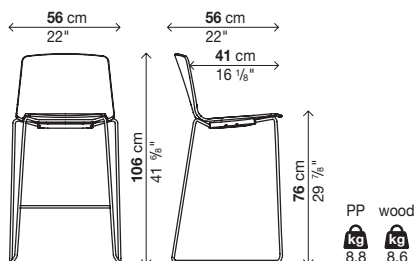


kg
0,6

05RAM17/18



05RAM40/44



RAMA

Tabouret piètement luge - Revêtement avant (non déhoussable)

Finition piètement:

Acier chromé
Acier laqué (coloris assortis au polypropylène)

Finition coque:

Polypropylène blanc (PP01)
Polypropylène noir (PP03)
Polypropylène beige (PP05)
Polypropylène gris clair (PP11)
Polypropylène jaune zinc (PP12)
Bois aspect frêne
Bois aspect chêne européen
Bois aspect noyer
Bois aspect chêne teinté noir

Finition du revêtement:

A = Valencia (cuir synthétique)
B = Field 2, COM (tissu Client)
C = Merit, Remix 2, COL (cuir du Client)
D = Clara 2, Curmi, Patio
E = Canvas 2, Hero, Regal, Scuba
F = Melange Nap, Steelcut Trio 3
G = Divina Melange 3, Hallingdal 65
H = Twill Weave
L1 = Coast (cuir fleur corrigé)
L2 = Elmosoft (cuir semi-aniline)
L3 = Elmotique (cuir aniline)

Notes:

Protection sous-assise en plastique disponible dans les coloris suivants:
- piètement acier laqué et coque polypropylène = coloris protection assorti au piètement.
- piètement acier chromé et coque polypropylène = coloris protection assorti à la coque.
- piètement acier laqué et coque bois = coloris protection assorti au piètement.
- piètement acier chromé et coque bois = coloris protection noir.

PIEDS:

Standard en plastique dur. Sur demande, nous fournissons des pieds avec insert en feutre pour sols en bois.

GERBABILITÉ (seulement avec couvercle sous-assise pour l'empilage):

- Allant jusqu'à 4 pz.

Consommation COM: 0,45 ml (H. 140 cm).

Consommation COL: 0,8 mq.

Emballages renforcés, voir intérieur de la couverture.

Tabouret bas (hauteur assise 66 cm)

Code	Piètement	Coque	Revêtement avant											colis	m ³	Kg		
			A	B	C	D	E	F	G	H	L1	L2	L3					
05RAM19	Acier laqué	Polypropylène															1	0,37
	Acier chromé	Polypropylène																
05RAM20	Acier laqué	Bois																
	Acier chromé	Bois																

chaque colis contient 2 tabourets (Kg. 23,4) / 1 tabouret (Kg. 13,7)

Tabouret haut (hauteur assise 76 cm)

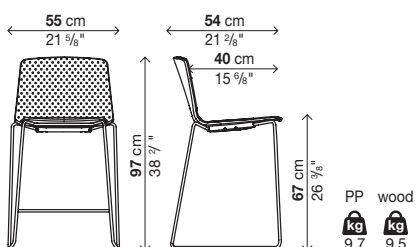
Code	Piètement	Coque	Revêtement avant											colis	m ³	Kg		
			A	B	C	D	E	F	G	H	L1	L2	L3					
05RAM45	Acier laqué	Polypropylène															1	0,37
	Acier chromé	Polypropylène																
05RAM46	Acier laqué	Bois																
	Acier chromé	Bois																

chaque colis contient 2 tabourets (Kg. 24) / 1 tabouret (Kg. 14)

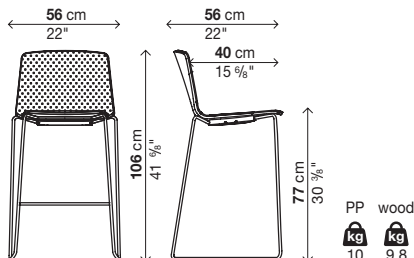
Optionals

Code	Description	colis	m ³	Kg
02IMP01	Couvercle sous-assise pour l'empilage	-	-	-
02PIE09	Lot de patins en feutre	-	-	-

05RAM19/20



05RAM45/46



RAMA

Tabouret piètement luge - Entièrement revêtue (non déhoussable)

Finition piètement:

Acier chromé

Acier laqué (coloris assortis au polypropylène)

Finition du revêtement:

A = Valencia (cuir synthétique)

B = Field 2, COM (tissu Client)

C = Merit, Remix 2, COL (cuir du Client)

D = Clara 2, Curmi, Patio

E = Canvas 2, Hero, Regal, Scuba

F = Melange Nap, Steelcut Trio 3

G = Divina Melange 3, Hallingdal 65

H = Twill Weave

L1 = Coast (cuir fleur corrigé)

L2 = Elmosoft (cuir semi-aniline)

L3 = Elmotique (cuir aniline)

Notes:

Protection sous-assise en plastique disponible dans les coloris suivants:

- piètement acier laqué et coque entièrement revêtue = protection coloris assorti au piètement.

- piètement acier chromé et coque entièrement revêtue = protection noir.

PIEDS:

Standard en plastique dur. Sur demande, nous fournissons des pieds avec insert en feutre pour sols en bois.

GERBABILITÉ (seulement avec couvercle sous-assise pour l'empilage):

- Allant jusqu'à 4 pz.

Consommation COM: 0,9 ml (H. 140 cm).

Consommation COL: 1,2 mq.

Emballages renforcés, voir intérieur de la couverture.

Tabouret bas (hauteur assise 66 cm)

Code	Piètement	Revêtement											colis m ³ Kg			
		A	B	C	D	E	F	G	H	L1	L2	L3				
05RAM28	Acier laqué															1 0,39
	Acier chromé															

chaque colis contient 2 tabourets (Kg. 24) / 1 tabouret (Kg. 14)

Tabouret haut (hauteur assise 76 cm)

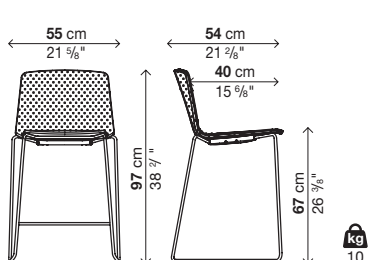
Code	Piètement	Revêtement											colis m ³ Kg			
		A	B	C	D	E	F	G	H	L1	L2	L3				
05RAM47	Acier laqué															1 0,39
	Acier chromé															

chaque colis contient 2 tabourets (Kg. 24,6) / 1 tabouret (Kg. 14,3)

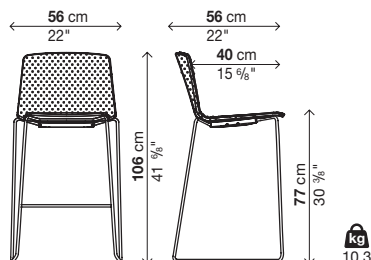
Optionals

Code	Description	colis m ³ Kg
02IMPO1	Couvercle sous-assise pour l'empilage	- - -
02PIE09	Lot de patins en feutre	- - -

05RAM28

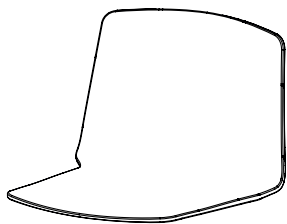


05RAM47

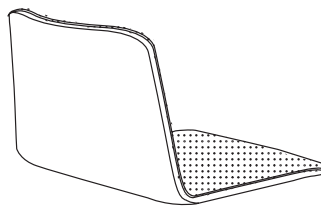


RAMA WOOD

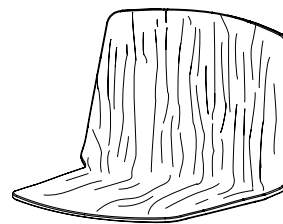
Légende



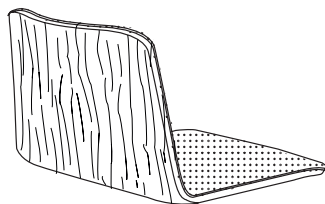
Coque en polypropylène



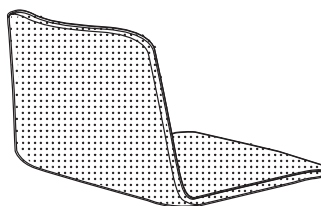
**Coque en polypropylène
avec revêtement avant**



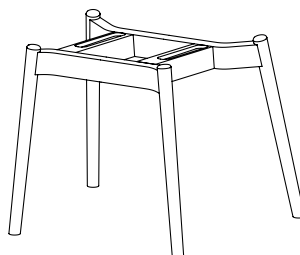
Coque en bois



**Coque en bois
avec revêtement avant**



Coque entièrement revêtue



Quatre pieds en bois massif

RAMA WOOD

Piètement bois

Finition piètement:

Bois massif frêne naturel
 Bois massif frêne teinté chêne européen
 Bois massif frêne teinté noyer
 Bois massif frêne teinté noir

Finition coque:

Polypropylène blanc (PP01)
 Polypropylène noir (PP03)
 Polypropylène beige (PP05)
 Polypropylène gris clair (PP11)
 Polypropylène jaune zinc (PP12)
 Bois aspect frêne
 Bois aspect chêne européen
 Bois aspect noyer
 Bois aspect chêne teinté noir

Finition revêtement coussin Lips:

A = COM (tissu Client)
 B = Field 2

Notes:

PIEDS:
 Standard en plastique dur. Sur demande, nous fournissons des pieds avec insert en feutre pour sols en bois.

GERBABILITÉ:

- Allant jusqu'à 4 pz.
 - Sur le chariot allant jusqu'à 4 pz.

Consommation coussin Lips: 0,5 ml (H. 140 cm).

Emballages renforcés, voir intérieur de la couverture.

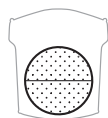
Code	Piètement	Coque		colis m ³ Kg
		Polypropylène	Bois	
05RAM05	Bois		-	1 0,38
05RAM06	Bois	-		

chaque colis 2 chaises (Kg. 14,2) / 1 chaise (Kg. 8,6)

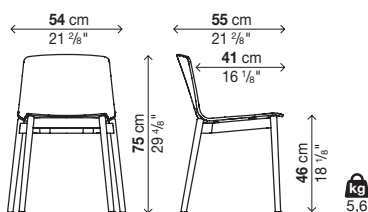
Optionals

Code	Description	Revêtement											colis m ³ Kg
		A	B	C	D	E	F	G	H	L1	L2	L3	
20LIR01	Coussin amovible LIPS-R (non déhoussable)			-	-	-	-	-	-	-	-	-	1 0,01 1
02PIE08	Lot de patins en feutre												- - -
20CAR03	Chariot pour transport chaises (acier laqué noir)												1 0,12 19

LIPS-R (20LIR01)



kg
0,6



RAMA WOOD

Piètement bois - Revêtement avant (non déhoussable)

Finition piètement:

Bois massif frêne naturel
 Bois massif frêne teinté chêne européen
 Bois massif frêne teinté noyer
 Bois massif frêne teinté noir

Finition coque:

Polypropylène blanc (PP01)
 Polypropylène noir (PP03)
 Polypropylène beige (PP05)
 Polypropylène gris clair (PP11)
 Polypropylène jaune zinc (PP12)
 Bois aspect frêne
 Bois aspect chêne européen
 Bois aspect noyer
 Bois aspect chêne teinté noir

Finition du revêtement:

A = Valencia (cuir synthétique)
 B = Field 2, COM (tissu Client)
 C = Merit, Remix 2, COL (cuir du Client)
 D = Clara 2, Curmi, Patio
 E = Canvas 2, Hero, Regal, Scuba
 F = Melange Nap, Steelcut Trio 3
 G = Divina Melange 3, Hallingdal 65
 H = Twill Weave
 L1 = Coast (cuir fleur corrigé)
 L2 = Elmosoft (cuir semi-aniline)
 L3 = Elmotique (cuir aniline)

Notes:

PIEDS:
 Standard en plastique dur. Sur demande, nous fournissons des pieds avec insert en feutre pour sols en bois.

Siège NON empilable.

Consommation COM: 0,45 ml (H. 140 cm).
 Consommation COL: 0,8 mq.

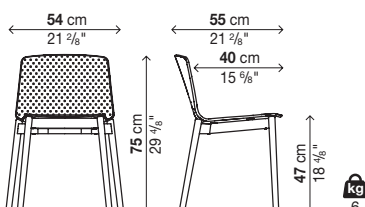
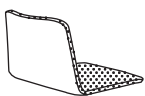
Emballages renforcés, voir intérieur de la couverture.

Code	Piètement	Coque	Revêtement avant											colis	m ³	Kg		
			A	B	C	D	E	F	G	H	L1	L2	L3					
05RAM07	Bois	Polypropylène																
05RAM08	Bois	Bois																1 0,38

chaque colis 2 chaises (Kg. 15) / 1 chaise (Kg. 9)

Optionals

Code	Description	colis	m ³	Kg
02PIE08	Lot de patins en feutre	-	-	-



RAMA WOOD

Piètement bois - Entièrement revêtue (non déhoussable)

Finition piètement:

Bois massif frêne naturel
 Bois massif frêne teinté chêne européen
 Bois massif frêne teinté noyer
 Bois massif frêne teinté noir

Finition du revêtement:

A = Valencia (cuir synthétique)
 B = Field 2, COM (tissu Client)
 C = Merit, Remix 2, COL (cuir du Client)
 D = Clara 2, Curmi, Patio
 E = Canvas 2, Hero, Regal, Scuba
 F = Melange Nap, Steelcut Trio 3
 G = Divina Melange 3, Hallingdal 65
 H = Twill Weave
 L1 = Coast (cuir fleur corrigé)
 L2 = Elmosoft (cuir semi-aniline)
 L3 = Elmotique (cuir aniline)

Notes:

PIEDS:
 Standard en plastique dur. Sur demande, nous fournissons des pieds avec insert en feutre pour sols en bois.

Siège NON empilable.

Consommation COM: 0,9 ml (H. 140 cm).
 Consommation COL: 1,2 mq.

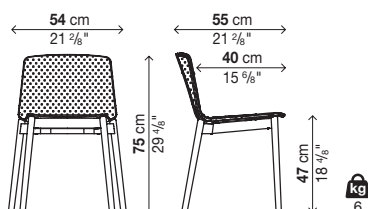
Emballages renforcés, voir intérieur de la couverture.

Code	Piètement	Revêtement											colis	m ³	Kg	
		A	B	C	D	E	F	G	H	L1	L2	L3				
05RAM09	Bois													1	0,38	

chaque colis 2 chaises (Kg. 15) / 1 chaise (Kg. 9)

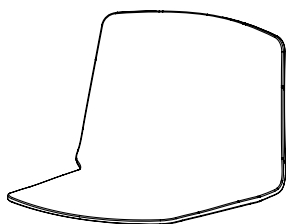
Optionals

Code	Description	colis	m ³	Kg
02PIE08	Lot de patins en feutre	-	-	-

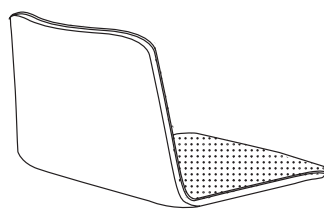


RAMA

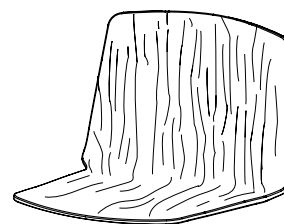
Leyenda



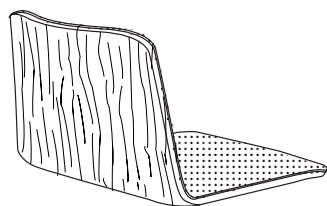
Bastidor de polipropileno



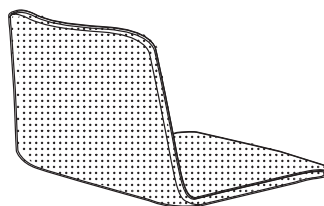
Bastidor de polipropileno con revestimiento frontal



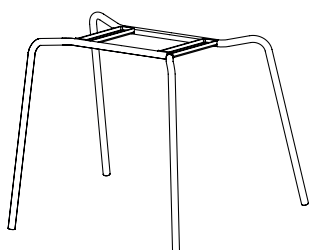
Bastidor de madera



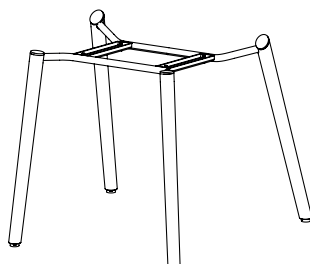
Bastidor de madera con revestimiento frontal



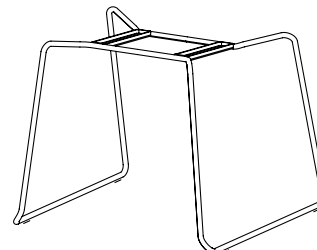
Bastidor completamente revestida



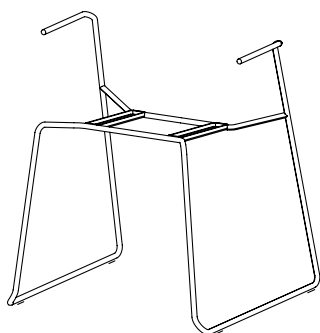
Cuatro patas



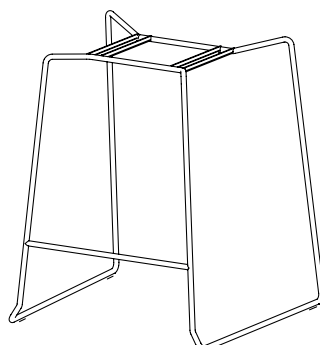
Cuatro patas madera y metal



Trineo



Trineo con brazos



Taburete

RAMA

Cuatro patas

Acabado base:

Acero cromado
Acero barnizado (en los colores del polipropileno)

Acabado asiento:

Polipropileno blanco (PP01)
Polipropileno negro (PP03)
Polipropileno beige (PP05)
Polipropileno gris claro (PP11)
Polipropileno amarillo cinc (PP12)
Madera efecto ceniza
Madera efecto roble europeo
Madera efecto nogal
Madera efecto roble teñido negro

Acabado revestimiento cojín Lips:

A = COM (tejido Cliente)
B = Field 2

Notas:

Cárter debajo del asiento de material plástico en los siguientes colores:
- base acero barnizado y bastidor polipropileno = cárter a juego con la base.
- base acero cromado y bastidor polipropileno = cárter a juego con el bastidor.
- base acero barnizado y bastidor madera = cárter a juego con la base.
- base acero cromado y bastidor madera = cárter negro.

PATAS:

Estándar en plástico duro. Bajo pedido se suministran pies con inserto de fieltro para pisos de madera.

APILAR:

- Hasta 10 pza.
- En carro fino a 12 pza.

Consumo cojín Lips: 0,5 ml (H. 140 cm).

Embalajes reforzados, ver lado interno de la portada.

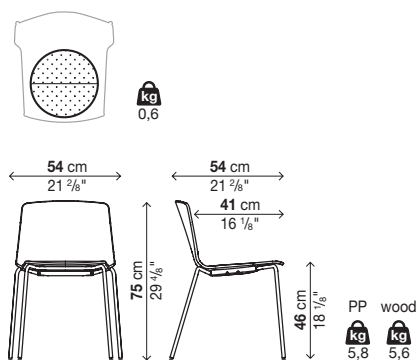
Código	Base	Asiento		pack	m ³	Kg
		Polipropileno	Madera			
05RAM13	Acero cromado, Acero barnizado		-	1	0,37	
05RAM35	Acero cromado, Acero barnizado	-				

cada bulto contiene 4 sillas (Kg. 28,2) / 3 sillas (Kg. 22,4) / 2 sillas (Kg. 16,6) / 1 silla (Kg. 10,8)

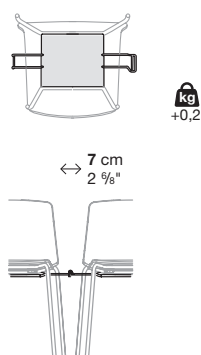
Opcionales

Código	Descripción	Revestimiento											pack	m ³	Kg
		A	B	C	D	E	F	G	H	L1	L2	L3			
20LIR01	Cojín extraíble LIPS-R (no desenfundable)			-	-	-	-	-	-	-	-	-	1	0,01	1
02IMP02	Cárter de apilamiento debajo del asiento con elemento de unión												1	0,02	1
02PIE06	Juego de almohadillas de fieltro												-	-	-
20CAR03	Carro de transporte sillas (acero barnizado negro)												1	0,12	19

LIPS-R (20LIR01)



02IMP02



RAMA

Cuatro patas - Revestimiento frontal (no desenfundable)

Acabado base:

Acero cromado
Acero barnizado (en los colores del polipropileno)

Acabado asiento:

Polipropileno blanco (PP01)
Polipropileno negro (PP03)
Polipropileno beige (PP05)
Polipropileno gris claro (PP11)
Polipropileno amarillo cinc (PP12)
Madera efecto ceniza
Madera efecto roble europeo
Madera efecto nogal
Madera efecto roble teñido negro

Acabado revestimiento:

A = Valencia (piel sintética)
B = Field 2, COM (tejido Cliente)
C = Merit, Remix 2, COL (piel del Cliente)
D = Clara 2, Curmi, Patio
E = Canvas 2, Hero, Regal, Scuba
F = Melange Nap, Steelcut Trio 3
G = Divina Melange 3, Hallingdal 65
H = Twill Weave
L1 = Coast (piel flor corregida)
L2 = Elmosoft (piel semi-anilina)
L3 = Elmotique (piel anilina)

Notas:

Cárter debajo del asiento de material plástico en los siguientes colores:
- base acero barnizado y bastidor polipropileno = cárter a juego con la base.
- base acero cromado y bastidor polipropileno = cárter a juego con el bastidor.
- base acero barnizado y bastidor madera = cárter a juego con la base.
- base acero cromado y bastidor madera = cárter negro.

PATAS:

Estándar en plástico duro. Bajo pedido se suministran pies con inserto de fieltro para pisos de madera.

APILAR (solo con cárter de apilamiento debajo del asiento):

- Hasta 4 pza.
- En carro fino a 4 pza.

Consumo COM: 0,45 ml (H. 140 cm).

Consumo COL: 0,8 mq.

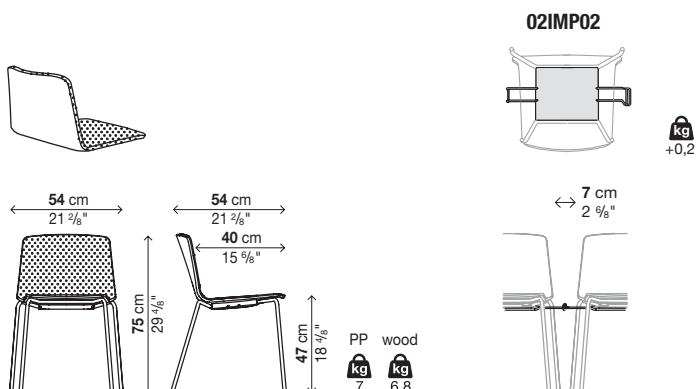
Embalajes reforzados, ver lado interno de la portada.

Código	Base	Asiento	Revestimiento frontal											pack	m ²	Kg		
			A	B	C	D	E	F	G	H	L1	L2	L3					
05RAM14	Acero cromado, Acero barnizado	Polipropileno														1	0,37	
05RAM36	Acero cromado, Acero barnizado	Madera																

cada paquete contiene 2 sillas (Kg. 19) / 1 silla (Kg. 12)

Opcionales

Código	Descripción	pack	m ²	Kg
02IMP01	Cárter de apilamiento debajo del asiento	-	-	-
02IMP02	Cárter de apilamiento debajo del asiento con elemento de unión	1	0,02	1
02PIE06	Juego de almohadillas de fieltro	-	-	-
20CAR03	Carro de transporte sillas (acero barnizado negro)	1	0,12	19



RAMA

Cuatro patas - Completamente revestida (no desenfundable)

Acabado base:

Acero cromado

Acero barnizado (en los colores del polipropileno)

Acabado revestimiento:

A = Valencia (piel sintética)

B = Field 2, COM (tejido Cliente)

C = Merit, Remix 2, COL (piel del Cliente)

D = Clara 2, Curmi, Patio

E = Canvas 2, Hero, Regal, Scuba

F = Melange Nap, Steelcut Trio 3

G = Divina Melange 3, Hallingdal 65

H = Twill Weave

L1 = Coast (piel flor corregida)

L2 = Elmosoft (piel semi-anilina)

L3 = Elmotique (piel anilina)

Notas:

Cárter debajo del asiento de material plástico en los siguientes colores:

- base acero barnizado y bastidor completamente revestido = cárter a juego con la base.

- base acero cromado y bastidor completamente revestido = cárter negro.

PATAS:

Estándar en plástico duro. Bajo pedido se suministran pies con inserto de fieltro para pisos de madera.

APILAR (solo con cárter de apilamiento debajo del asiento):

- Hasta 4 pza.

- En carro fino a 4 pza.

Consumo COM: 0,9 ml (H. 140 cm).

Consumo COL: 1,2 mq.

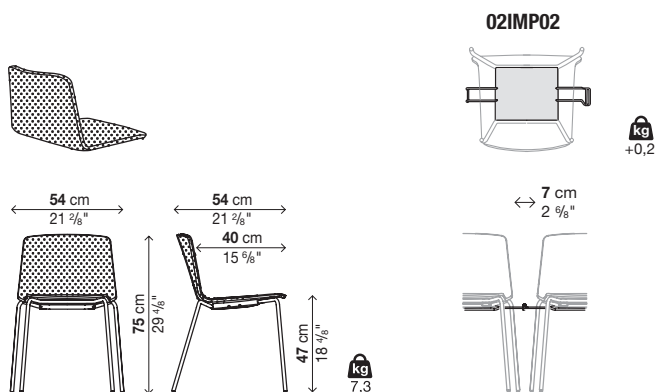
Embalajes reforzados, ver lado interno de la portada.

Código	Base	Revestimiento											pack	m ³	Kg		
		A	B	C	D	E	F	G	H	L1	L2	L3					
05RAM37	Acero cromado, Acero barnizado														1	0,39	

cada paquete contiene 2 sillas (Kg. 19,6) / 1 silla (Kg. 12,3)

Opcionales

Código	Descripción	pack	m ³	Kg
02IMP01	Cárter de apilamiento debajo del asiento	-	-	-
02IMP02	Cárter de apilamiento debajo del asiento con elemento de unión	1	0,02	1
02PIE06	Juego de almohadillas de fieltro	-	-	-
20CAR03	Carro de transporte sillas (acero barnizado negro)	1	0,12	19



RAMA

Cuatro patas madera

Acabado base:

Madera maciza de roble europeo
Madera maciza barnizada (en los colores del polipropileno)

Acabado asiento:

Polipropileno blanco (PP01)
Polipropileno negro (PP03)
Polipropileno beige (PP05)
Polipropileno gris claro (PP11)
Polipropileno amarillo cinc (PP12)
Madera efecto roble europeo
Madera efecto roble teñido negro

Acabado revestimiento cojín Lips:

A = COM (tejido Cliente)
B = Field 2

Notas:

Cárter debajo del asiento de material plástico en los siguientes colores:
- base acero barnizado y bastidor polipropileno = cárter a juego con la base.
- base acero cromado y bastidor polipropileno = cárter a juego con el bastidor.
- base acero barnizado y bastidor madera = cárter a juego con la base.
- base acero cromado y bastidor madera = cárter negro.

PATAS:

Estándar en plástico duro. Bajo pedido se suministran pies con inserto de fieltro para pisos de madera.

APILAR:

- Hasta 5 pza.
- En carro fino a 10 pza.

Consumo cojín Lips: 0,5 ml (H. 140 cm).

Embalajes reforzados, ver lado interno de la portada.

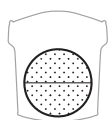
Código	Base	Asiento		pack	m³	Kg
		Polipropileno	Madera			
05RAM03	Roble europeo, Madera barnizada		-	1	0,43	
05RAM29	Roble europeo, Madera barnizada	-				

cada bulto contiene 4 sillas (Kg. 28,6) / 3 Sillas (Kg. 22,7) / 2 Sillas (Kg. 16,8) / 1 silla (Kg. 10,9)

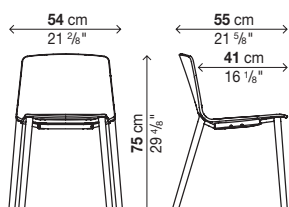
Opcionales

Código	Descripción	Revestimiento										pack	m³	Kg	
		A	B	C	D	E	F	G	H	L1	L2				L3
20LIR01	Cojín extraíble LIPS-R (no desfundable)			-	-	-	-	-	-	-	-	-	1	0,01	1
02IMP02	Cárter de apilamiento debajo del asiento con elemento de unión												1	0,02	1
02PIE07	Juego de almohadillas de fieltro												-	-	-
20CAR03	Carro de transporte sillas (acero barnizado negro)												1	0,12	19

LIPS-R (20LIR01)

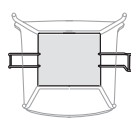


kg
0,6

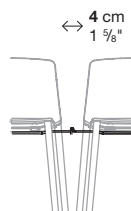


PP wood
kg 5,9 kg 5,7

02IMP02



kg
+0,2



RAMA

Cuatro patas madera - Revestimiento frontal (no desenfundable)

Acabado base:

Madera maciza de roble europeo
Madera maciza barnizada (en los colores del polipropileno)

Acabado asiento:

Polipropileno blanco (PP01)
Polipropileno negro (PPO3)
Polipropileno beige (PPO5)
Polipropileno gris claro (PP11)
Polipropileno amarillo cinc (PP12)
Madera efecto roble europeo
Madera efecto roble teñido negro

Acabado revestimiento:

A = Valencia (piel sintética)
B = Field 2, COM (tejido Cliente)
C = Merit, Remix 2, COL (piel del Cliente)
D = Clara 2, Curmi, Patio
E = Canvas 2, Hero, Regal, Scuba
F = Melange Nap, Steelcut Trio 3
G = Divina Melange 3, Hallingdal 65
H = Twill Weave
L1 = Coast (piel flor corregida)
L2 = Elmosoft (piel semi-anilina)
L3 = Elmotique (piel anilina)

Notas:

Cárter debajo del asiento de material plástico en los siguientes colores:
- base acero barnizado y bastidor polipropileno = cárter a juego con la base.
- base acero cromado y bastidor polipropileno = cárter a juego con el bastidor.
- base acero barnizado y bastidor madera = cárter a juego con la base.
- base acero cromado y bastidor madera = cárter negro.

PATAS:

Estándar en plástico duro. Bajo pedido se suministran pies con inserto de fieltro para pisos de madera.

APILAR (solo con cárter de apilamiento debajo del asiento):

- Hasta 4 pza.
- En carro fino a 4 pza.

Consumo COM: 0,45 ml (H. 140 cm).

Consumo COL: 0,8 mq.

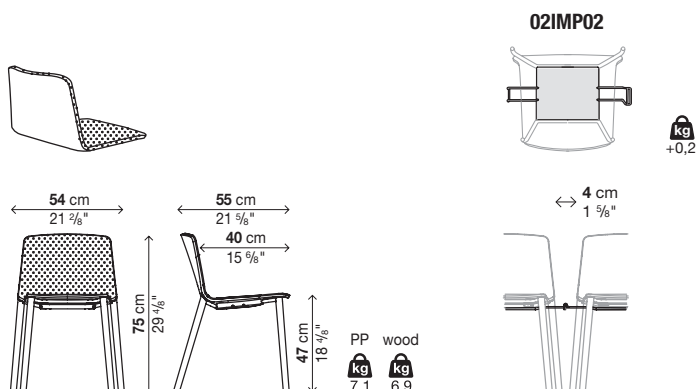
Embalajes reforzados, ver lado interno de la portada.

Código	Base	Asiento	Revestimiento frontal											pack	m ³	Kg		
			A	B	C	D	E	F	G	H	L1	L2	L3					
05RAM04	Roble europeo, Madera barnizada	Polipropileno																
05RAM30	Roble europeo, Madera barnizada	Madera																

cada paquete contiene 2 sillas (Kg. 19,2) / 1 silla (Kg. 12,1)

Opcionales

Código	Descripción	pack	m ³	Kg
02IMP01	Cárter de apilamiento debajo del asiento	-	-	-
02IMP02	Cárter de apilamiento debajo del asiento con elemento de unión	1	0,02	1
02PIE07	Juego de almohadillas de fieltro	-	-	-
20CAR03	Carro de transporte sillas (acero barnizado negro)	1	0,12	19



RAMA

Cuatro patas madera - Completamente revestida (no desenfundable)

Acabado base:

Madera maciza de roble europeo

Madera maciza barnizada (en los colores del polipropileno)

Acabado revestimiento:

A = Valencia (piel sintética)

B = Field 2, COM (tejido Cliente)

C = Merit, Remix 2, COL (piel del Cliente)

D = Clara 2, Curmi, Patio

E = Canvas 2, Hero, Regal, Scuba

F = Melange Nap, Steelcut Trio 3

G = Divina Melange 3, Hallingdal 65

H = Twill Weave

L1 = Coast (piel flor corregida)

L2 = Elmosoft (piel semi-anilina)

L3 = Elmotique (piel anilina)

Notas:

Cárter debajo del asiento de material plástico en los siguientes colores:

- base acero barnizado y bastidor completamente revestido = cárter a juego con la base.

- base acero cromado y bastidor completamente revestido = cárter negro.

PATAS:

Estándar en plástico duro. Bajo pedido se suministran pies con inserto de fieltro para pisos de madera.

APILAR (solo con cárter de apilamiento debajo del asiento):

- Hasta 4 pza.

- En carro fino a 4 pza.

Consumo COM: 0,9 ml (H. 140 cm).

Consumo COL: 1,2 mq.

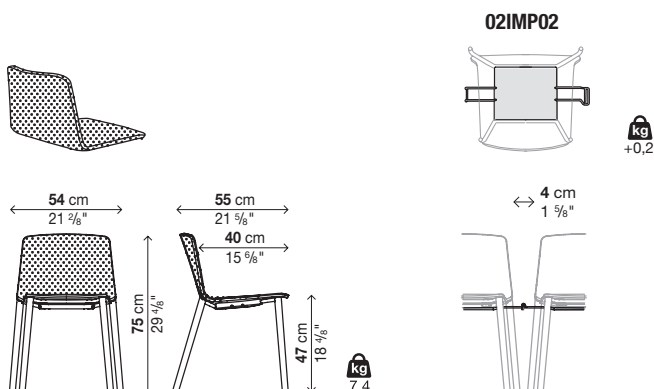
Embalajes reforzados, ver lado interno de la portada.

Código	Base	Revestimiento											pack	m ²	Kg		
		A	B	C	D	E	F	G	H	L1	L2	L3					
05RAM34	Roble europeo, Madera barnizada														1	0,39	

cada paquete contiene 2 sillas (Kg. 19,8) / 1 silla (Kg. 12,4)

Opcionales

Código	Descripción	pack	m ²	Kg
02IMP01	Cárter de apilamiento debajo del asiento	-	-	-
02IMP02	Cárter de apilamiento debajo del asiento con elemento de unión	1	0,02	1
02PIE07	Juego de almohadillas de fieltro	-	-	-
20CAR03	Carro de transporte sillas (acero barnizado negro)	1	0,12	19



RAMA

Trineo

Acabado base:

Acero cromado
Acero barnizado (en los colores del polipropileno)

Acabado asiento:

Polipropileno blanco (PP01)
Polipropileno negro (PP03)
Polipropileno beige (PP05)
Polipropileno gris claro (PP11)
Polipropileno amarillo cinc (PP12)
Madera efecto ceniza
Madera efecto roble europeo
Madera efecto nogal
Madera efecto roble teñido negro

Acabado revestimiento cojín Lips:

A = COM (tejido Cliente)
B = Field 2

Notas:

Cárter debajo del asiento de material plástico en los siguientes colores:
- base acero barnizado y bastidor polipropileno = cárter a juego con la base.
- base acero cromado y bastidor polipropileno = cárter a juego con el bastidor.
- base acero barnizado y bastidor madera = cárter a juego con la base.
- base acero cromado y bastidor madera = cárter negro.

PATAS:

Estándar en plástico duro. Bajo pedido se suministran pies con inserto de fieltro para pisos de madera.

APILAR:

- Hasta 10 pza.
- En carro fino a 15 pza.

Consumo cojín Lips: 0,5 ml (H. 140 cm).

Embalajes reforzados, ver lado interno de la portada.

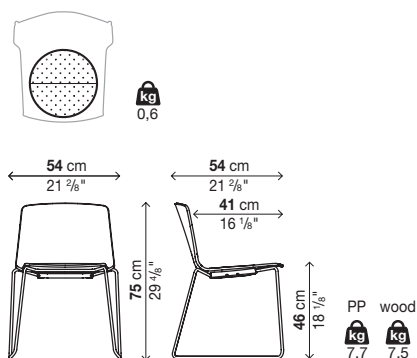
Código	Base	Asiento		pack	m³	Kg
		Polipropileno	Madera			
05RAM15	Acero barnizado		-	1	0,37	
	Acero cromado		-			
05RAM63	Acero barnizado	-				
	Acero cromado	-				

cada bulto contiene 4 sillas (Kg. 35,8) / 3 Sillas (Kg. 28,1) / 2 Sillas (Kg. 16,6) / 1 silla (Kg. 12,7)

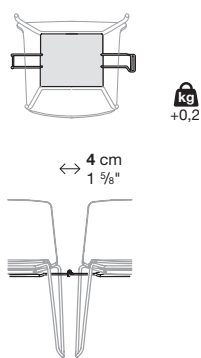
Opcionales

Código	Descripción	Revestimiento											pack	m³	Kg	
		A	B	C	D	E	F	G	H	L1	L2	L3				
20LIR01	Cojín extraíble LIPS-R (no desenfundable)			-	-	-	-	-	-	-	-	-	-	1	0,01	1
02IMP02	Cárter de apilamiento debajo del asiento con elemento de unión													1	0,02	1
02PIE09	Juego de almohadillas de fieltro													-	-	-
20CAR03	Carro de transporte sillas (acero barnizado negro)													1	0,12	19

LIPS-R (20LIR01)



02IMP02



RAMA

Trineo - Revestimiento frontal (no desenfundable)

Acabado base:

Acero cromado
Acero barnizado (en los colores del polipropileno)

Acabado asiento:

Polipropileno blanco (PP01)
Polipropileno negro (PP03)
Polipropileno beige (PP05)
Polipropileno gris claro (PP11)
Polipropileno amarillo cinc (PP12)
Madera efecto ceniza
Madera efecto roble europeo
Madera efecto nogal
Madera efecto roble teñido negro

Acabado revestimiento:

A = Valencia (piel sintética)
B = Field 2, COM (tejido Cliente)
C = Merit, Remix 2, COL (piel del Cliente)
D = Clara 2, Curmi, Patio
E = Canvas 2, Hero, Regal, Scuba
F = Melange Nap, Steelcut Trio 3
G = Divina Melange 3, Hallingdal 65
H = Twill Weave
L1 = Coast (piel flor corregida)
L2 = Elmosoft (piel semi-anilina)
L3 = Elmotique (piel anilina)

Notas:

Cárter debajo del asiento de material plástico en los siguientes colores:
- base acero barnizado y bastidor polipropileno = cárter a juego con la base.
- base acero cromado y bastidor polipropileno = cárter a juego con el bastidor.
- base acero barnizado y bastidor madera = cárter a juego con la base.
- base acero cromado y bastidor madera = cárter negro.

PATAS:

Estándar en plástico duro. Bajo pedido se suministran pies con inserto de fieltro para pisos de madera.

APILAR (solo con cárter de apilamiento debajo del asiento):

- Hasta 4 pza.
- En carro fino a 4 pza.

Consumo COM: 0,45 ml (H. 140 cm).

Consumo COL: 0,8 mq.

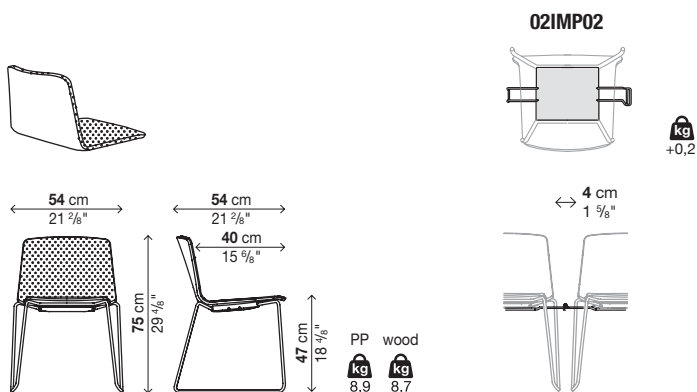
Embalajes reforzados, ver lado interno de la portada.

Código	Base	Asiento	Revestimiento frontal											pack	m³	Kg		
			A	B	C	D	E	F	G	H	L1	L2	L3					
05RAM16	Acero barnizado	Polipropileno															1	0,37
	Acero cromado	Polipropileno																
05RAM38	Acero barnizado	Madera																
	Acero cromado	Madera																

cada paquete contiene 2 sillas (Kg. 22,8) / 1 silla (Kg. 13,9)

Opcionales

Código	Descripción	pack	m³	Kg
02IMP01	Cárter de apilamiento debajo del asiento	-	-	-
02IMP02	Cárter de apilamiento debajo del asiento con elemento de unión	1	0,02	1
02PIE09	Juego de almohadillas de fieltro	-	-	-
20CAR03	Carro de transporte sillas (acero barnizado negro)	1	0,12	19



RAMA

Trineo - Completamente revestida (no desenfundable)

Acabado base:

Acero cromado

Acero barnizado (en los colores del polipropileno)

Acabado revestimiento:

A = Valencia (piel sintética)

B = Field 2, COM (tejido Cliente)

C = Merit, Remix 2, COL (piel del Cliente)

D = Clara 2, Curmi, Patio

E = Canvas 2, Hero, Regal, Scuba

F = Melange Nap, Steelcut Trio 3

G = Divina Melange 3, Hallingdal 65

H = Twill Weave

L1 = Coast (piel flor corregida)

L2 = Elmosoft (piel semi-anilina)

L3 = Elmotique (piel anilina)

Notas:

Cárter debajo del asiento de material plástico en los siguientes colores:

- base acero barnizado y bastidor completamente revestido = cárter a juego con la base.

- base acero cromado y bastidor completamente revestido = cárter negro.

PATAS:

Estándar en plástico duro. Bajo pedido se suministran pies con inserto de fieltro para pisos de madera.

APILAR (solo con cárter de apilamiento debajo del asiento):

- Hasta 4 pza.

- En carro hasta 4 pza.

Consumo COM: 0,9 ml (H. 140 cm).

Consumo COL: 1,2 mq.

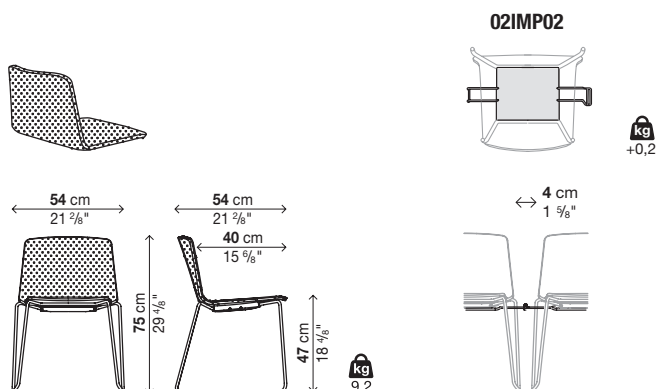
Embalajes reforzados, ver lado interno de la portada.

Código	Base	Revestimiento											pack	m ²	Kg		
		A	B	C	D	E	F	G	H	L1	L2	L3					
05RAM39	Acero barnizado																
	Acero cromado																1 0,39

cada paquete contiene 2 sillas (Kg. 23,4) / 1 silla (Kg. 14,2)

Opcionales

Código	Descripción	pack	m ²	Kg
02IMP01	Cárter de apilamiento debajo del asiento	-	-	-
02IMP02	Cárter de apilamiento debajo del asiento con elemento de unión	1	0,02	1
02PIE09	Juego de almohadillas de fieltro	-	-	-
20CAR03	Carro de transporte sillas (acero barnizado negro)	1	0,12	19



RAMA

Trineo con brazos

Acabado base:

Acero cromado
Acero barnizado (en los colores del polipropileno)

Acabado asiento:

Polipropileno blanco (PP01)
Polipropileno negro (PP03)
Polipropileno beige (PP05)
Polipropileno gris claro (PP11)
Polipropileno amarillo cinc (PP12)
Madera efecto ceniza
Madera efecto roble europeo
Madera efecto nogal
Madera efecto roble teñido negro

Acabado revestimiento cojín Lips:

A = COM (tejido Cliente)
B = Field 2

Notas:

Cárter debajo del asiento de material plástico en los siguientes colores:
- base acero barnizado y bastidor polipropileno = cárter a juego con la base.
- base acero cromado y bastidor polipropileno = cárter a juego con el bastidor.
- base acero barnizado y bastidor madera = cárter a juego con la base.
- base acero cromado y bastidor madera = cárter negro.

PATAS:

Estándar en plástico duro. Bajo pedido se suministran pies con inserto de fieltro para pisos de madera.

APILAR:

- Hasta 10 pza.
- En carro fino a 12 pza.

Consumo cojín Lips: 0,5 ml (H. 140 cm).

Embalajes reforzados, ver lado interno de la portada.

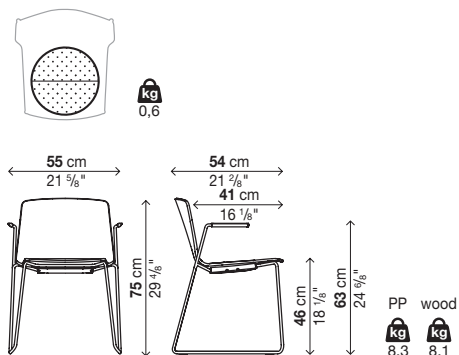
Código	Base	Asiento		pack	m ³	Kg
		Polipropileno	Madera			
05RAM48	Acero barnizado		-	1	0,37	
	Acero cromado		-			
05RAM50	Acero barnizado	-				
	Acero cromado	-				

cada bulto contiene 4 sillas (Kg. 38,2) / 3 sillas (Kg. 29,9) / 2 Sillas (Kg. 21,6) / 1 silla (Kg. 13,3)

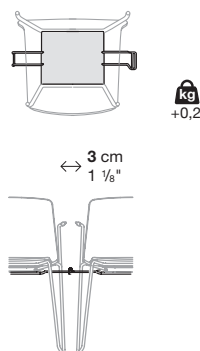
Opcionales

Código	Descripción	Revestimiento											pack	m ³	Kg
		A	B	C	D	E	F	G	H	L1	L2	L3			
20LIR01	Cojín extraíble LIPS-R (no desenfundable)			-	-	-	-	-	-	-	-	-	1	0,01	1
02IMP02	Cárter de apilamiento debajo del asiento con elemento de unión												1	0,02	1
02PIE09	Juego de almohadillas de fieltro												-	-	-
20CAR03	Carro de transporte sillas (acero barnizado negro)												1	0,12	19

LIPS-R (20LIR01)



02IMP02



RAMA

Trineo con brazos - Revestimiento frontal (no desenfundable)

Acabado base:

Acero cromado
Acero barnizado (en los colores del polipropileno)

Acabado asiento:

Polipropileno blanco (PP01)
Polipropileno negro (PP03)
Polipropileno beige (PP05)
Polipropileno gris claro (PP11)
Polipropileno amarillo cinc (PP12)
Madera efecto ceniza
Madera efecto roble europeo
Madera efecto nogal
Madera efecto roble teñido negro

Acabado revestimiento:

A = Valencia (piel sintética)
B = Field 2, COM (tejido Cliente)
C = Merit, Remix 2, COL (piel del Cliente)
D = Clara 2, Curmi, Patio
E = Canvas 2, Hero, Regal, Scuba
F = Melange Nap, Steelcut Trio 3
G = Divina Melange 3, Hallingdal 65
H = Twill Weave
L1 = Coast (piel flor corregida)
L2 = Elmosoft (piel semi-anilina)
L3 = Elmotique (piel anilina)

Notas:

Cárter debajo del asiento de material plástico en los siguientes colores:
- base acero barnizado y bastidor polipropileno = cárter a juego con la base.
- base acero cromado y bastidor polipropileno = cárter a juego con el bastidor.
- base acero barnizado y bastidor madera = cárter a juego con la base.
- base acero cromado y bastidor madera = cárter negro.

PATAS:

Estándar en plástico duro. Bajo pedido se suministran pies con inserto de fieltro para pisos de madera.

APILAR (solo con cárter de apilamiento debajo del asiento):

- Hasta 4 pza.
- En carro fino a 4 pza.

Consumo COM: 0,45 ml (H. 140 cm).

Consumo COL: 0,8 mq.

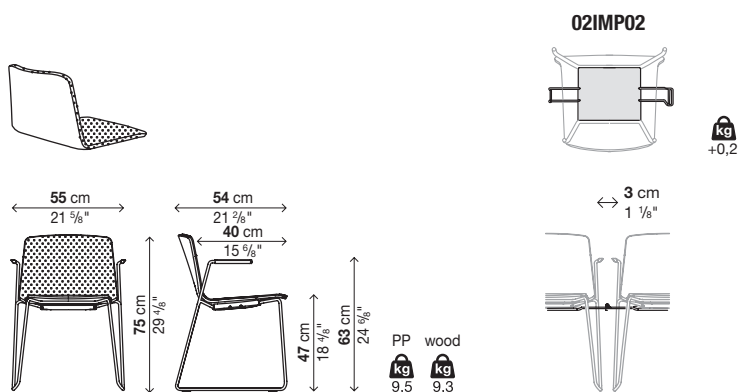
Embalajes reforzados, ver lado interno de la portada.

Código	Base	Asiento	Revestimiento frontal											pack	m ³	Kg	
			A	B	C	D	E	F	G	H	L1	L2	L3				
05RAM49	Acero barnizado	Polipropileno															
	Acero cromado	Polipropileno															
05RAM59	Acero barnizado	Madera															
	Acero cromado	Madera															

cada paquete contiene 2 sillas (Kg. 24) / 1 silla (Kg. 14,5)

Opcionales

Código	Descripción	pack	m ³	Kg
02IMP01	Cárter de apilamiento debajo del asiento	-	-	-
02IMP02	Cárter de apilamiento debajo del asiento con elemento de unión	1	0,02	1
02PIE09	Juego de almohadillas de fieltro	-	-	-
20CAR03	Carro de transporte sillas (acero barnizado negro)	1	0,12	19



RAMA

Trineo con brazos - Completamente revestida (no desenfundable)

Acabado base:

Acero cromado

Acero barnizado (en los colores del polipropileno)

Acabado revestimiento:

A = Valencia (piel sintética)

B = Field 2, COM (tejido Cliente)

C = Merit, Remix 2, COL (piel del Cliente)

D = Clara 2, Curmi, Patio

E = Canvas 2, Hero, Regal, Scuba

F = Melange Nap, Steelcut Trio 3

G = Divina Melange 3, Hallingdal 65

H = Twill Weave

L1 = Coast (piel flor corregida)

L2 = Elmosoft (piel semi-anilina)

L3 = Elmotique (piel anilina)

Notas:

Cárter debajo del asiento de material plástico en los siguientes colores:

- base acero barnizado y bastidor completamente revestido = cárter a juego con la base.

- base acero cromado y bastidor completamente revestido = cárter negro.

PATAS:

Estándar en plástico duro. Bajo pedido se suministran pies con inserto de fieltro para pisos de madera.

APILAR (solo con cárter de apilamiento debajo del asiento):

- Hasta 4 pza.

- En carro fino a 4 pza.

Consumo COM: 0,9 ml (H. 140 cm).

Consumo COL: 1,2 mq.

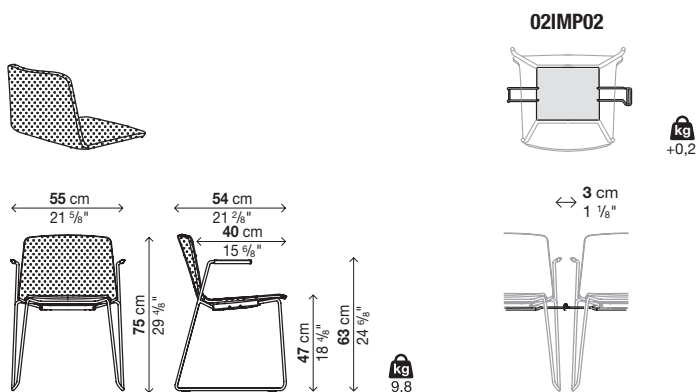
Embalajes reforzados, ver lado interno de la portada.

Código	Base	Revestimiento											pack	m ²	Kg		
		A	B	C	D	E	F	G	H	L1	L2	L3					
05RAM60	Acero barnizado															1	0,39
	Acero cromado																

cada paquete contiene 2 sillas (Kg. 24,6) / 1 silla (Kg. 14,8)

Opcionales

Código	Descripción	pack	m ²	Kg
02IMP01	Cárter de apilamiento debajo del asiento	-	-	-
02IMP02	Cárter de apilamiento debajo del asiento con elemento de unión	1	0,02	1
02PIE09	Juego de almohadillas de fieltro	-	-	-
20CAR03	Carro de transporte sillas (acero barnizado negro)	1	0,12	19



RAMA

Taburete su Trineo

Acabado base:

Acero cromado
Acero barnizado (en los colores del polipropileno)

Acabado asiento:

Polipropileno blanco (PP01)
Polipropileno negro (PP03)
Polipropileno beige (PP05)
Polipropileno gris claro (PP11)
Polipropileno amarillo cinc (PP12)
Madera efecto ceniza
Madera efecto roble europeo
Madera efecto nogal
Madera efecto roble teñido negro

Acabado revestimiento cojín Lips:

A = COM (tejido Cliente)
B = Field 2

Notas:

PATAS:
Estándar en plástico duro. Bajo pedido se suministran pies con inserto de fieltro para pisos de madera.

APILAR:

- Hasta 10 pza.

INFORMACIÓN DE ENVÍO DESMONTABLE:

Para pedidos de más de 8 unidades, el producto se entrega desmontado (solo para taburetes con bastidor no revestido):

4 asientos in polipropilene = 1 pack - Kg 17 / m³ 0,23.

4 asientos in legno = 1 pack - Kg 19 / m³ 0,23.

4 bases H.66 = 1 pack - Kg 23 / m³ 0,24.

4 bases H.76 = 1 pack - Kg 25 / m³ 0,29.

Consumo cojín Lips: 0,5 ml (H. 140 cm).

Embalajes reforzados, ver lado interno de la portada.

Taburete bajo (altura asiento 66 cm)

Código	Base	Asiento		pack	m ³	Kg
		Polipropileno	Madera			
05RAM17	Acero barnizado		-	1	0,36	
	Acero cromado		-			
05RAM18	Acero barnizado	-				
	Acero cromado	-				

cada bulto contiene 2 taburetes (Kg. 21) / 1 taburete (Kg. 12,5)

Taburete alto (altura asiento 76 cm)

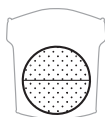
Código	Base	Asiento		pack	m ³	Kg
		Polipropileno	Madera			
05RAM40	Acero barnizado		-	1	0,40	
	Acero cromado		-			
05RAM44	Acero barnizado	-				
	Acero cromado	-				

cada bulto contiene 2 taburetes (Kg. 21,6) / 1 taburete (Kg. 12,8)

Opcionales

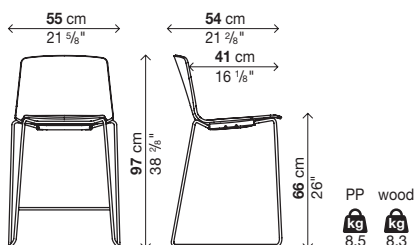
Código	Descripción	Revestimiento											pack	m ³	Kg	
		A	B	C	D	E	F	G	H	L1	L2	L3				
20LIR01	Cojín extraíble LIPS-R (no desenfundable)			-	-	-	-	-	-	-	-	-	-	1	0,01	1
02PIE09	Juego de almohadillas de fieltro													-	-	-

LIPS-R (20LIR01)

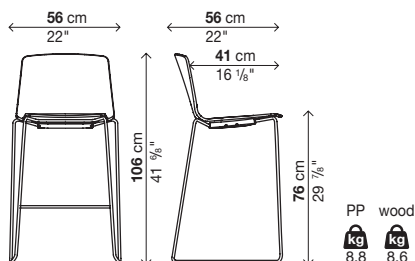


kg
0,6

05RAM17/18



05RAM40/44



RAMA

Taburete su Trineo - Revestimiento frontal (no desfundable)

Acabado base:

Acero cromado
Acero barnizado (en los colores del polipropileno)

Acabado asiento:

Polipropileno blanco (PP01)
Polipropileno negro (PP03)
Polipropileno beige (PP05)
Polipropileno gris claro (PP11)
Polipropileno amarillo cinc (PP12)
Madera efecto ceniza
Madera efecto roble europeo
Madera efecto nogal
Madera efecto roble teñido negro

Acabado revestimiento:

A = Valencia (piel sintética)
B = Field 2, COM (tejido Cliente)
C = Merit, Remix 2, COL (piel del Cliente)
D = Clara 2, Curmi, Patio
E = Canvas 2, Hero, Regal, Scuba
F = Melange Nap, Steelcut Trio 3
G = Divina Melange 3, Hallingdal 65
H = Twill Weave
L1 = Coast (piel flor corregida)
L2 = Elmosoft (piel semi-anilina)
L3 = Elmotique (piel anilina)

Notas:

Cárter debajo del asiento de material plástico en los siguientes colores:
- base acero barnizado y bastidor polipropileno = cárter a juego con la base.
- base acero cromado y bastidor polipropileno = cárter a juego con el bastidor.
- base acero barnizado y bastidor madera = cárter a juego con la base.
- base acero cromado y bastidor madera = cárter negro.

PATAS:

Estándar en plástico duro. Bajo pedido se suministran pies con inserto de fieltro para pisos de madera.

APILAR (solo con cárter de apilamiento debajo del asiento):

- Hasta 4 pza.

Consumo COM: 0,45 ml (H. 140 cm).

Consumo COL: 0,8 mq.

Embalajes reforzados, ver lado interno de la portada.

Taburete bajo (altura asiento 66 cm)

Código	Base	Asiento	Revestimiento frontal											pack	m ²	Kg	
			A	B	C	D	E	F	G	H	L1	L2	L3				
05RAM19	Acero barnizado	Polipropileno															
	Acero cromado	Polipropileno															
05RAM20	Acero barnizado	Madera															
	Acero cromado	Madera															

cada bulto contiene 2 taburetes (Kg. 23,4) / 1 taburete (Kg. 13,7)

Taburete alto (altura asiento 76 cm)

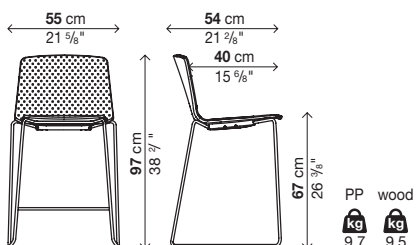
Código	Base	Asiento	Revestimiento frontal											pack	m ²	Kg	
			A	B	C	D	E	F	G	H	L1	L2	L3				
05RAM45	Acero barnizado	Polipropileno															
	Acero cromado	Polipropileno															
05RAM46	Acero barnizado	Madera															
	Acero cromado	Madera															

cada bulto contiene 2 taburetes (Kg. 24) / 1 taburete (Kg. 14)

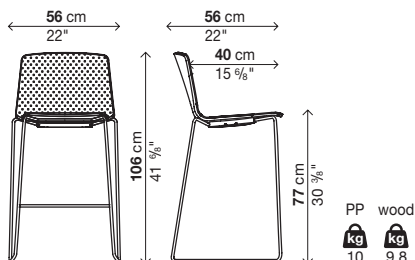
Opcionales

Código	Descripción	pack	m ²	Kg
02IMP01	Cárter de apilamiento debajo del asiento	-	-	-
02PIE09	Juego de almohadillas de fieltro	-	-	-

05RAM19/20



05RAM45/46



RAMA

Taburete su Trineo - Completamente revestida (no desenfundable)

Acabado base:

Acero cromado
Acero barnizado (en los colores del polipropileno)

Acabado revestimiento:

A = Valencia (piel sintética)
B = Field 2, COM (tejido Cliente)
C = Merit, Remix 2, COL (piel del Cliente)
D = Clara 2, Curmi, Patio
E = Canvas 2, Hero, Regal, Scuba
F = Melange Nap, Steelcut Trio 3
G = Divina Melange 3, Hallingdal 65
H = Twill Weave
L1 = Coast (piel flor corregida)
L2 = Elmosoft (piel semi-anilina)
L3 = Elmotique (piel anilina)

Notas:

Cárter debajo del asiento de material plástico en los siguientes colores:
- base acero barnizado y bastidor completamente revestido = cárter a juego con la base.
- base acero cromado y bastidor completamente revestido = cárter negro.

PATAS:

Estándar en plástico duro. Bajo pedido se suministran pies con inserto de fieltro para pisos de madera.

APILAR (solo con cárter de apilamiento debajo del asiento):

- Hasta 4 pza.

Consumo COM: 0,9 ml (H. 140 cm).

Consumo COL: 1,2 mq.

Embalajes reforzados, ver lado interno de la portada.

Taburete bajo (altura asiento 66 cm)

Código	Base	Revestimiento											pack	m ³	Kg		
		A	B	C	D	E	F	G	H	L1	L2	L3					
05RAM28	Acero barnizado															1	0,39
	Acero cromado																

cada bulto contiene 2 taburetes (Kg. 24) / 1 taburete (Kg. 14)

Taburete alto (altura asiento 76 cm)

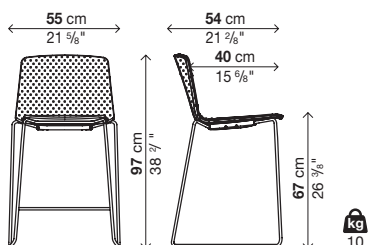
Código	Base	Revestimiento											pack	m ³	Kg		
		A	B	C	D	E	F	G	H	L1	L2	L3					
05RAM47	Acero barnizado															1	0,39
	Acero cromado																

cada bulto contiene 2 taburetes (Kg. 24,6) / 1 taburete (Kg. 14,3)

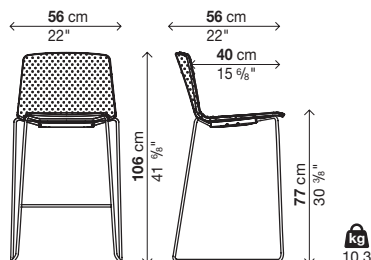
Opcionales

Código	Descripción	pack	m ³	Kg
02IMPO1	Cárter de apilamiento debajo del asiento	-	-	-
02PIE09	Juego de almohadillas de fieltro	-	-	-

05RAM28

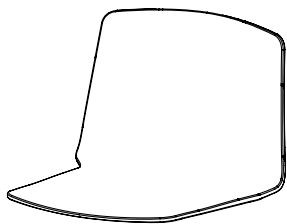


05RAM47

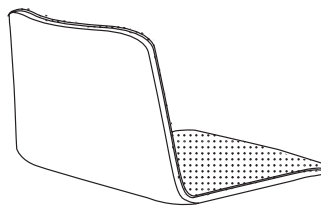


RAMA WOOD

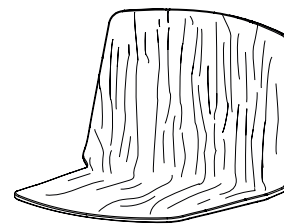
Leyenda



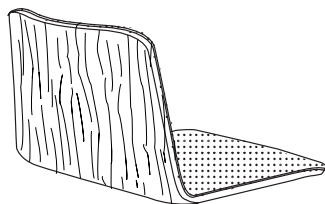
Bastidor de polipropileno



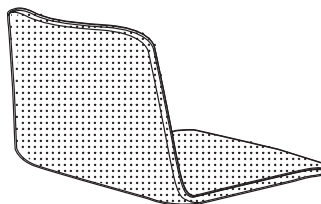
**Bastidor de polipropileno
con revestimiento frontal**



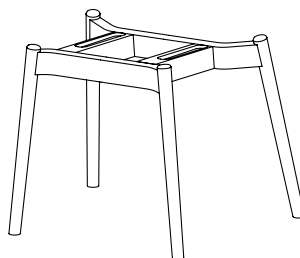
Bastidor de madera



**Bastidor de madera
con revestimiento frontal**



Bastidor completamente revestida



Cuatro patas madera maciza

RAMA WOOD

Base de madera

Acabado base:

Madera maciza de ceniza natural
 Madera maciza de ceniza teñido roble europeo
 Madera maciza de ceniza teñido nogal
 Madera maciza de ceniza teñido negro

Acabado asiento:

Polipropileno blanco (PP01)
 Polipropileno negro (PP03)
 Polipropileno beige (PP05)
 Polipropileno gris claro (PP11)
 Polipropileno amarillo cinc (PP12)
 Madera efecto ceniza
 Madera efecto roble europeo
 Madera efecto nogal
 Madera efecto roble teñido negro

Acabado revestimiento cojín Lips:

A = COM (tejido Cliente)
 B = Field 2

Notas:

PATAS:

Estándar en plástico duro. Bajo pedido se suministran pies con inserto de fieltro para pisos de madera.

APILAR:

- Hasta 4 pza.
 - En carro hasta 4 pza.

Consumo cojín Lips: 0,5 ml (H. 140 cm).

Embalajes reforzados, ver lado interno de la portada.

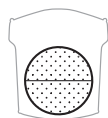
Código	Base	Asiento		pack	m ³	Kg
		Polipropileno	Madera			
05RAM05	Madera		-	1	0,38	
05RAM06	Madera	-				

cada paquete contiene 2 sillas (Kg. 14,2) / 1 silla (Kg. 8,6)

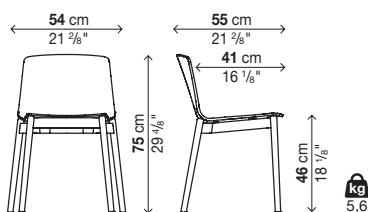
Opcionales

Código	Descripción	Revestimiento											pack	m ³	Kg
		A	B	C	D	E	F	G	H	L1	L2	L3			
20LIR01	Cojín extraíble LIPS-R (no desenfundable)			-	-	-	-	-	-	-	-	-	1	0,01	1
02PIE08	Juego de almohadillas de fieltro												-	-	-
20CAR03	Carro de transporte sillas (acero barnizado negro)												1	0,12	19

LIPS-R (20LIR01)



0,6



RAMA WOOD

Base de madera - Revestimiento frontal (no desenfundable)

Acabado base:

Madera maciza de ceniza natural
 Madera maciza de ceniza teñido roble europeo
 Madera maciza de ceniza teñido nogal
 Madera maciza de ceniza teñido negro

Acabado asiento:

Polipropileno blanco (PP01)
 Polipropileno negro (PP03)
 Polipropileno beige (PP05)
 Polipropileno gris claro (PP11)
 Polipropileno amarillo cinc (PP12)
 Madera efecto ceniza
 Madera efecto roble europeo
 Madera efecto nogal
 Madera efecto roble teñido negro

Acabado revestimiento:

A = Valencia (piel sintética)
 B = Field 2, COM (tejido Cliente)
 C = Merit, Remix 2, COL (piel del Cliente)
 D = Clara 2, Curmi, Patio
 E = Canvas 2, Hero, Regal, Scuba
 F = Melange Nap, Steelcut Trio 3
 G = Divina Melange 3, Hallingdal 65
 H = Twill Weave
 L1 = Coast (piel flor corregida)
 L2 = Elmosoft (piel semi-anilina)
 L3 = Elmotique (piel anilina)

Notas:

PATAS:
 Estándar en plástico duro. Bajo pedido se suministran pies con inserto de fieltro para pisos de madera.

Asiento NO apilable.

Consumo COM: 0,45 ml (H. 140 cm).
 Consumo COL: 0,8 mq.

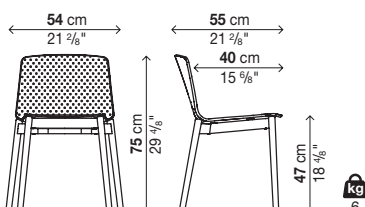
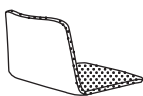
Embalajes reforzados, ver lado interno de la portada.

Código	Base	Asiento	Revestimiento frontal											pack	m ³	Kg	
			A	B	C	D	E	F	G	H	L1	L2	L3				
05RAM07	Madera	Polipropileno														1	0,38
05RAM08	Madera	Madera															

cada paquete contiene 2 sillas (Kg. 15) / 1 silla (Kg. 9)

Opcionales

Código	Descripción	pack	m ³	Kg
02PIE08	Juego de almohadillas de fieltro	-	-	-



RAMA WOOD

Base de madera - Completamente revestida (no desenfundable)

Acabado base:

Madera maciza de ceniza natural
 Madera maciza de ceniza teñido roble europeo
 Madera maciza de ceniza teñido nogal
 Madera maciza de ceniza teñido negro

Acabado revestimiento:

A = Valencia (piel sintética)
 B = Field 2, COM (tejido Cliente)
 C = Merit, Remix 2, COL (piel del Cliente)
 D = Clara 2, Curmi, Patio
 E = Canvas 2, Hero, Regal, Scuba
 F = Melange Nap, Steelcut Trio 3
 G = Divina Melange 3, Hallingdal 65
 H = Twill Weave
 L1 = Coast (piel flor corregida)
 L2 = Elmosoft (piel semi-anilina)
 L3 = Elmotique (piel anilina)

Notas:

PATAS:
 Estándar en plástico duro. Bajo pedido se suministran pies con inserto de fieltro para pisos de madera.

Asiento NO apilable.

Consumo COM: 0,9 ml (H. 140 cm).
 Consumo COL: 1,2 mq.

Embalajes reforzados, ver lado interno de la portada.

Código	Base	Revestimiento											pack	m ²	Kg	
		A	B	C	D	E	F	G	H	L1	L2	L3				
05RAM09	Madera													1	0,38	

cada paquete contiene 2 sillas (Kg. 15) / 1 silla (Kg. 9)

Opcionales

Código	Descripción	pack	m ²	Kg
02PIE08	Juego de almohadillas de fieltro	-	-	-

