

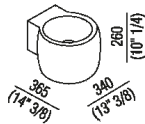


Washbasin without tap hole

ACER0710NRZ

design Benedini Associati, 1999

Washbasin in white fire clay.



Finishes



White

Materials



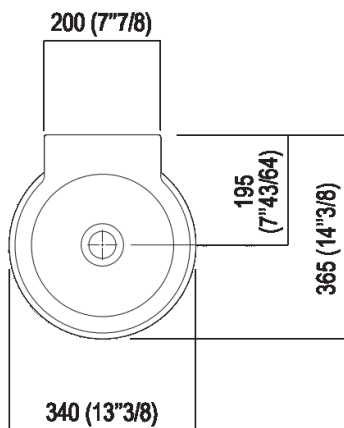
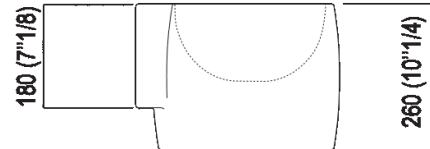
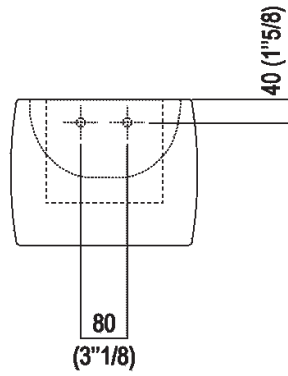
Fire clay

Circular washbasin in white fire clay with or without tap hole, without overflow, complete with fixing kit. Designed for waste .MET0563.

Height:	26 cm	10" 1/4 inches
Width:	34 cm	13" 3/8 inches
Weight:	8.5 kg	19 lbs
Depth:	36.5 cm	14" 3/8 inches
Packaging:	49 x 42 x 31 cm	19" 2/8 x 16" 4/8 x 12" 2/8 inches
Total weight:	10 kg	22 lbs

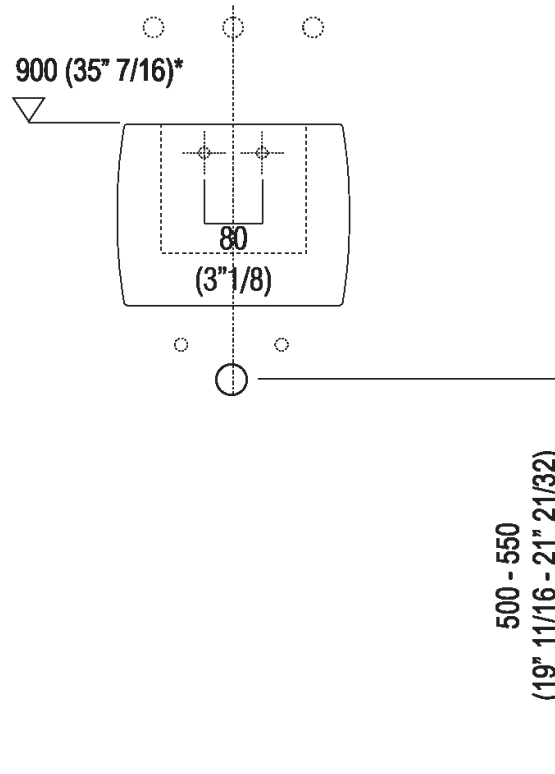


Main dimensions





Installation notes

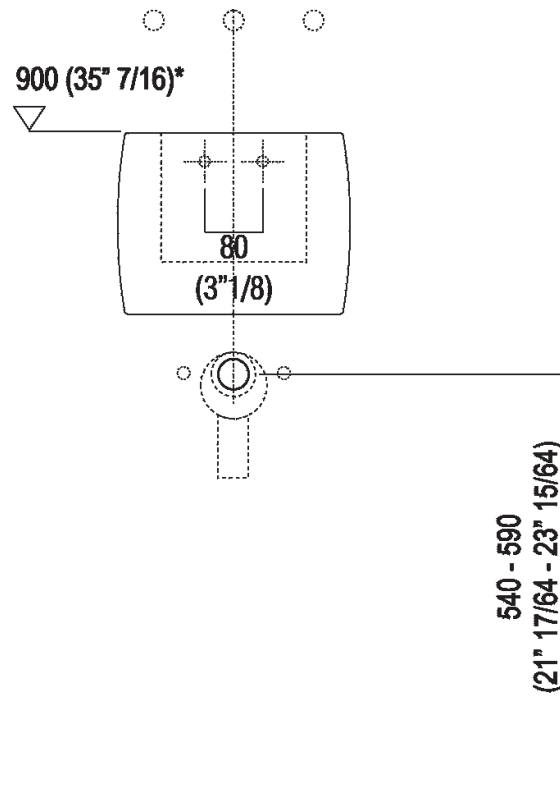


Scarico per sifone a bottiglia
Drain for bottle trap

***h.consigliata / advised h.**



Installation notes



Scarico per sifone ad incasso
Drain for concealed waste trap

***h.consigliata / advised h.**



Tap position, recommended height

POSIZIONE RUBINETTERIA / TAP POSITION

Altezza consigliata / Recommended height

