

## AXOR Starck Organic Bath spout

Surfaces: **Chrome** Article Number: **12417000**



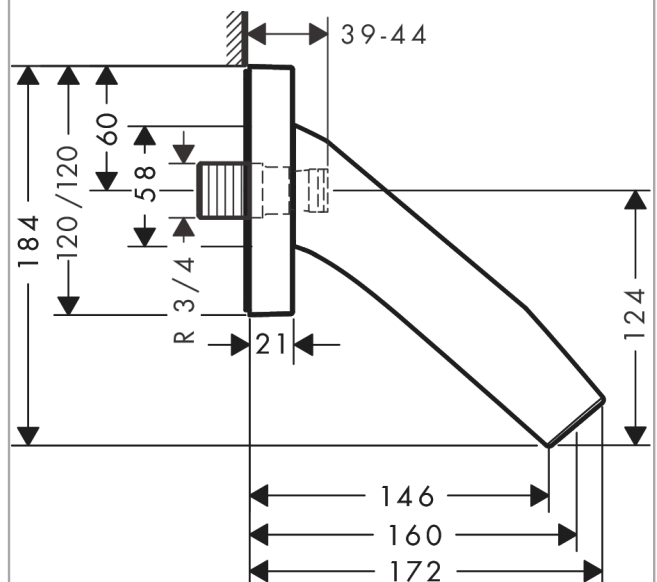
### product features

- 1 function
- projection 160 mm
- maximum flow rate at 3 bar: 27 l/min
- connection dimension: device connection DN20
- spray type: laminar spray

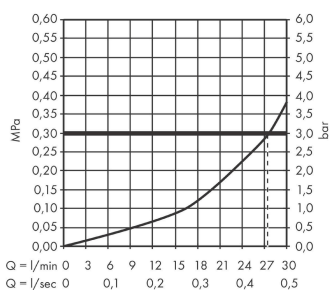
### Product image



### Scale drawing



### Flowchart



The consumption was measured in combination with the appropriate fittings (thermostat/mixer/in-wall valve) to reflect actual application in practice.

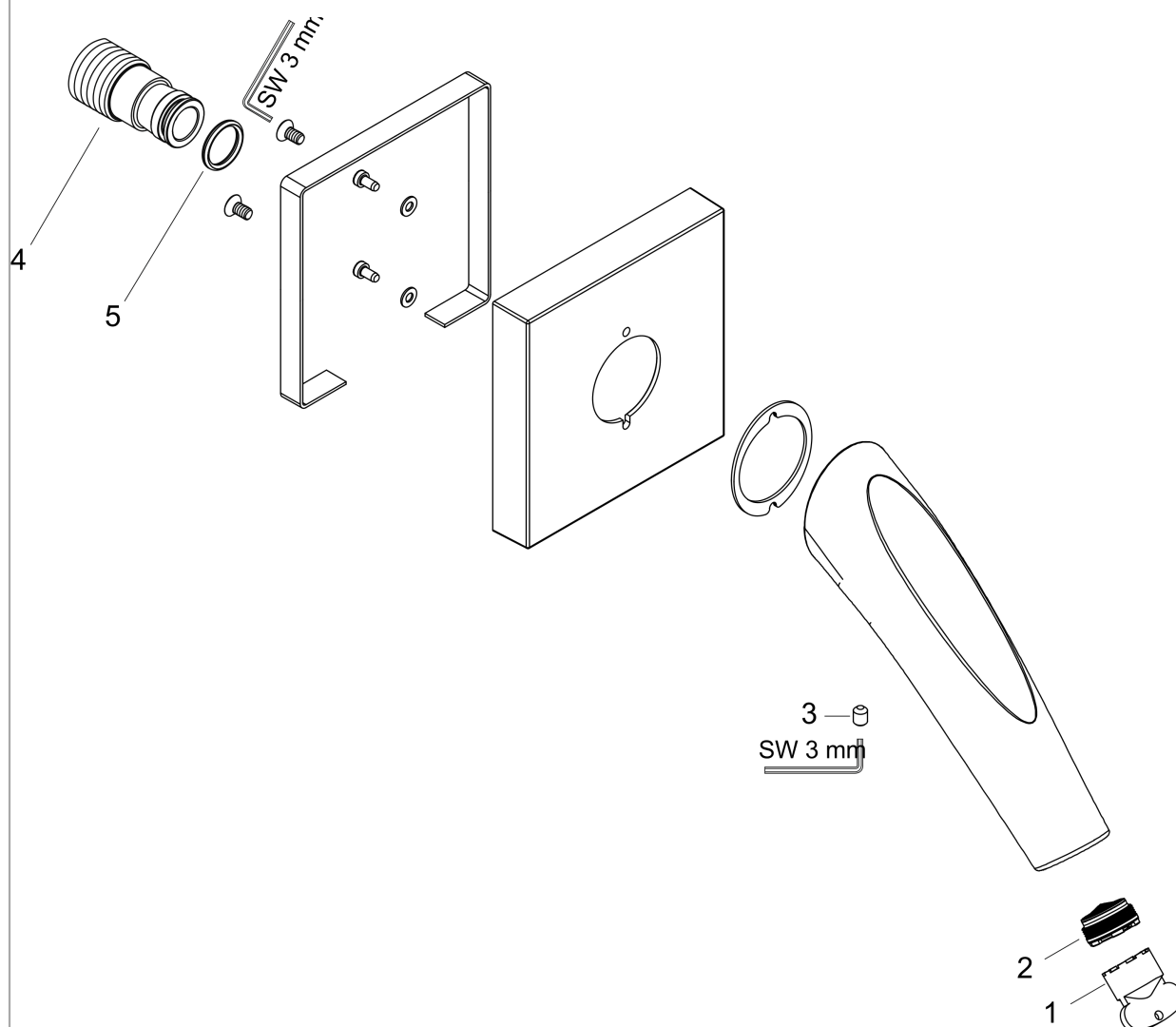
**AXOR Starck Organic**  
**Bath spout**

Surfaces: **Chrome**    Article Number: **12417000**



## Exploded Drawing

Year of production: >11/12



## AXOR Starck Organic

### Bath spout

Surfaces: **Chrome** Article Number: **12417000**



### Spare part list

Year of production: >11/12

Pos.		Article Number	Price	PU
1	special tool	95158000	-	1
2	aerator laminar M24x1 C	98337000	-	1
3	hollow set screw M6x8	97810000	-	1
4	connecting thread G $\frac{3}{4}$	96472000	-	1
5	O-ring 16x2,5	98134000	-	1
a	connecting thread G $\frac{1}{2}$	97228000	-	1