

**AXOR Starck Organic**  
**Single lever bath mixer for concealed installation with integrated security combination**  
**according to EN1717**  
 Surfaces: **Chrome** Article Number: **12416000**



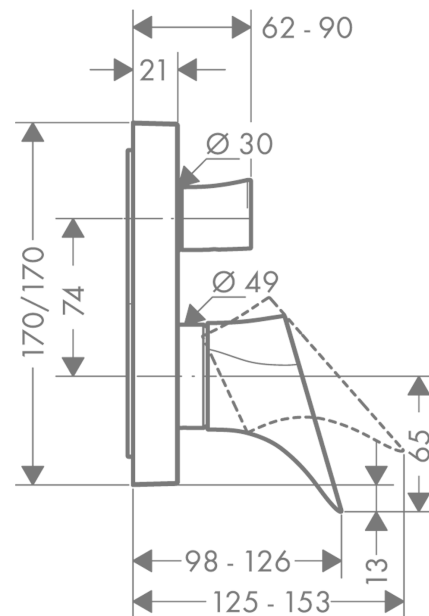
**product features**

- 2 functions
- connection type: basic set
- maximum flow rate at 3 bar: 22 l/min
- ceramic cartridge
- temperature limitation adjustable
- diverter with automatic resetting
- with silencer
- suitable for continuous flow water heaters
- with integrated safety combination EN 1717

**Product image**



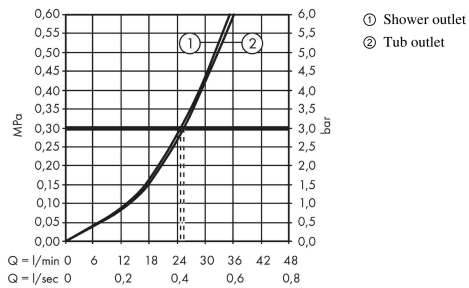
**Scale drawing**



**AXOR Starck Organic**  
**Single lever bath mixer for concealed installation with integrated security combination**  
**according to EN1717**  
 Surfaces: **Chrome**    Article Number: **12416000**



## Flowchart

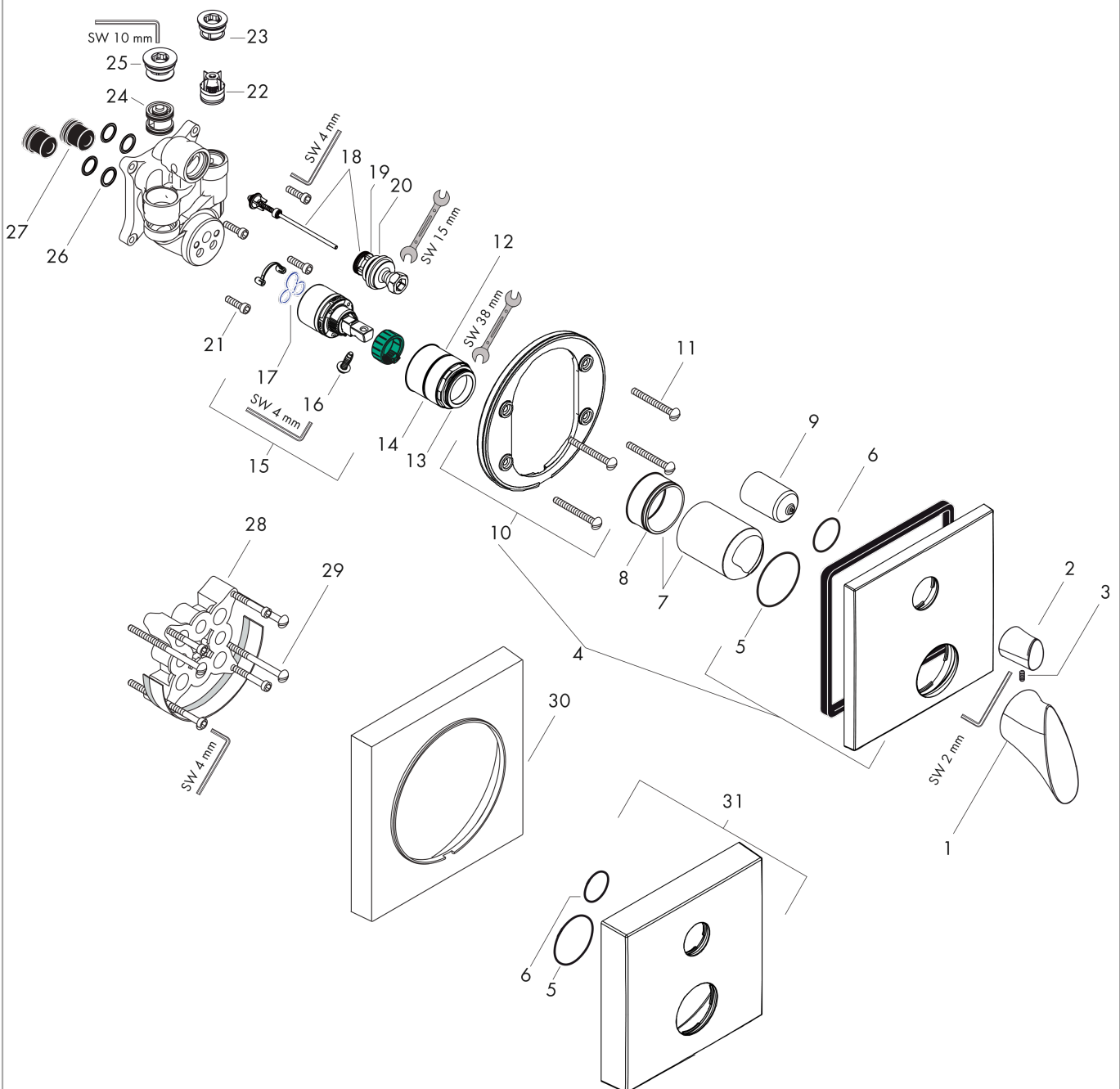


**AXOR Starck Organic**  
**Single lever bath mixer for concealed installation with integrated security combination**  
**according to EN1717**  
 Surfaces: **Chrome**    Article Number: **12416000**



## Exploded Drawing

Year of production: >01/17



**AXOR Starck Organic**  
**Single lever bath mixer for concealed installation with integrated security combination**  
**according to EN1717**  
 Surfaces: **Chrome** Article Number: **12416000**



## Spare part list

Year of production: >01/17

Pos.		Article Number	Price	PU
1	handle	98311000	-	1
2	diverter knob cpl.	98310000	-	1
3	hollow set screw M4x10	97667000	-	1
4	escutcheon	98309000	-	1
5	O-Ring 48x3	95508000	-	1
6	O-ring 29x3	98371000	-	1
7	flange	98684000	-	1
8	O-ring 43x1,5	98148000	-	1
9	sleeve	98308000	-	1
10	holder for escutcheon	98793000	-	1
11	set of fixing screws	96454000	-	1
12	nut	98796000	-	1
13	O-ring 30x1,5	98433000	-	1
14	O-ring 39x1,5	98400000	-	1
15	cartridge, assy	92730000	-	1
16	locking screw for handle	95140000	-	1
17	seal	95008000	-	1
18	selector assy	95014000	-	1
19	O-ring 17x2	98199000	-	1
20	O-ring 20x2,5	92602000	-	1
21	set of screws	96525000	-	1
22	non return valve	96655000	-	1
23	O-ring 19x2	98426000	-	1
24	vacuum breaker	96753000	-	1
25	O-Ring 22x2	98185000	-	1
26	O-ring 16x2	98133000	-	1
27	noise reduction	94073000	-	1
28	extension 25 mm	13595000	-	1
29	set of fixing screws	97747000	-	1
30	extension 22 mm	97407000	-	1
31	escutcheon height = 33 mm (when wall is not deep enough).	14968000	-	1
a	concealed item	01800180	-	1
b	fixation set	96615000	-	1