

## PS65AT Pass 65

### Oval countertop basin 65 cm

• WITHOUT OVERFLOW • WITHOUT TAP LEDGE

Complements: FORTY6 shelf (F6PS65)  
 BOX wall hung vanity units depth 37 / 50 cm  
 CUBIKA wall hung vanity units depth 37 / 50 cm  
 DENVER furniture (DV103M)  
 FILO 75 metal structure (FI75SV - FI75SC)  
 Line taps basin: ONE - NOKÉ - SI - FOLD - X1  
 Line accessories: TWO - HOOP - NOKÉ - FOLD

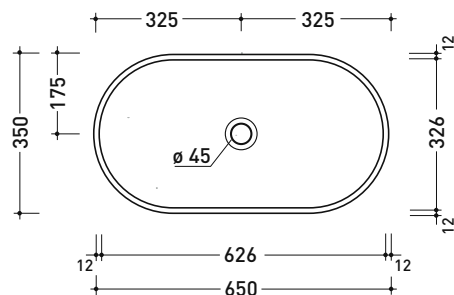
Technical accessories: Chrome siphon (SIFL/CR) - Telescopic chrome siphon (SIFL066)  
 Stop & Go drain (PLSG)  
 CERAMIC Stop & Go drain (PLCE)  
 Chrome waste with automatic integrated overflow (PLTPCR)  
 Waste with automatic integrated overflow and ceramic cover (PLTPCE)  
 Two piece set chrome tap filters (RF026)

Package dim.

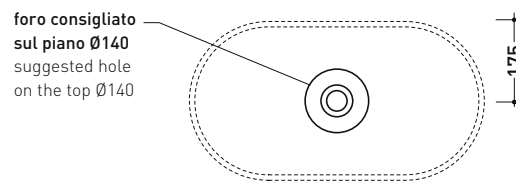
Weight 11 kg

Pz. Pallet n° 30

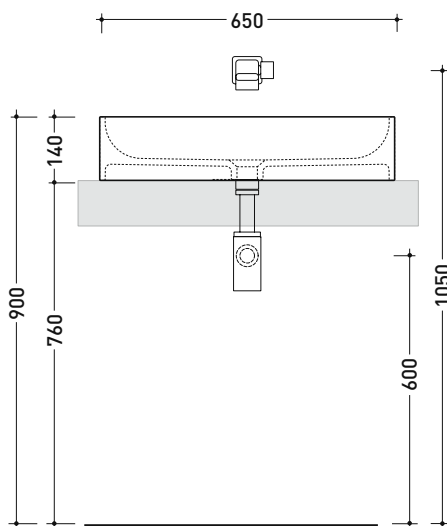
UNI EN 14688 - CL00 Dop-No14688



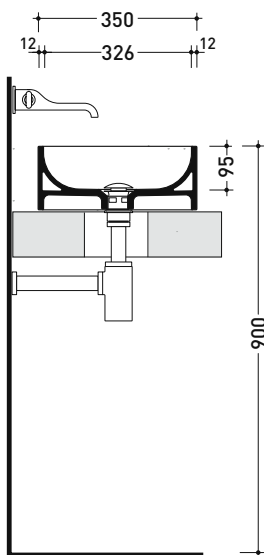
vista zenitale / zenital view



vista zenitale / zenital view



vista frontale / frontal view



sezione longitudinale / section

sizes in mm

Please consider a 2% tolerance on indicated measurements

CERAMIC: glossy finish



white