

AXOR Starck Organic
2-handle basin mixer for concealed installation wall-mounted with spout 187 mm
 Surfaces: **Chrome** Article Number: **12015000**



product features

- consists of: 2-handle basin mixer, waste set
- projection: 187 mm
- spray type: shower spray
- maximum flow rate at 3 bar: 3,5 l/min
- flow rate booster: 5 l/min
- ceramic cartridge for temperature control
- ceramic valve for volume control
- temperature limitation adjustable
- separation of temperature and volume control
- with isolated water conduction - without contact with nickel and lead
- suitable for continuous flow water heaters
- non-closing waste set
- connection type: basic set
- connection dimension: DN15

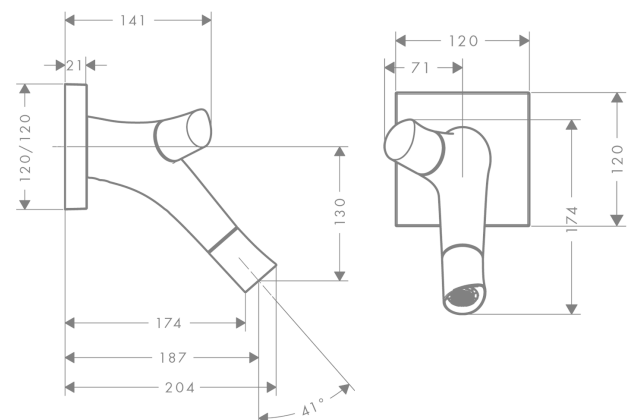
Technology



Product image



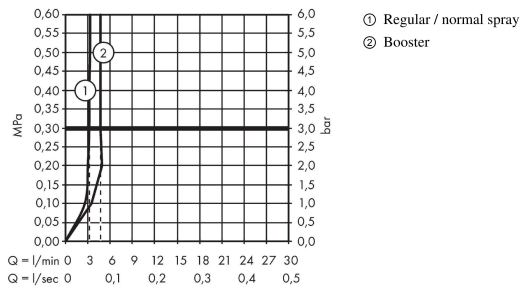
Scale drawing



AXOR Starck Organic
2-handle basin mixer for concealed installation wall-mounted with spout 187 mm
 Surfaces: **Chrome** Article Number: **12015000**



Flowchart

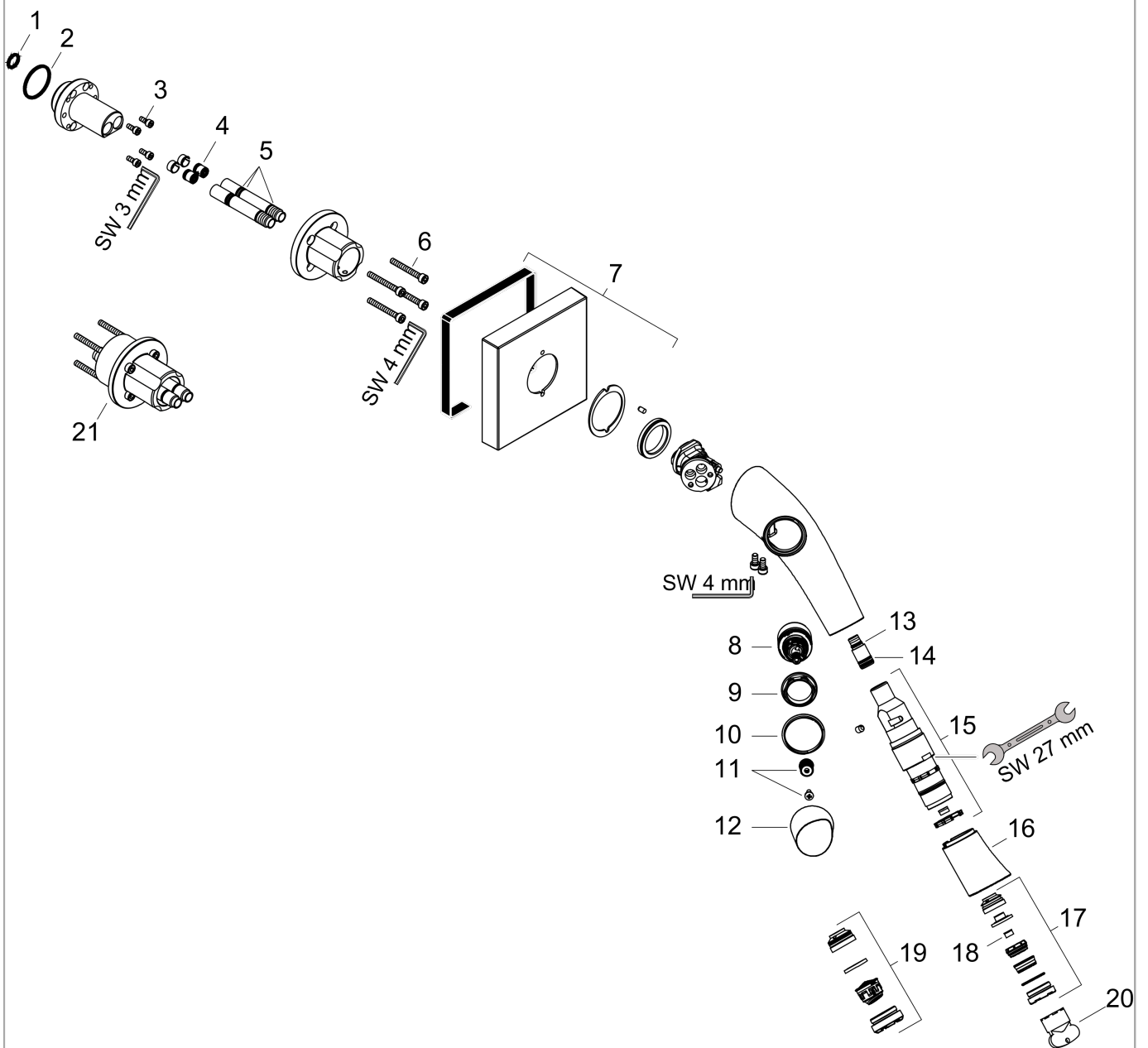


AXOR Starck Organic
2-handle basin mixer for concealed installation wall-mounted with spout 187 mm
 Surfaces: **Chrome** Article Number: **12015000**



Exploded Drawing

Year of production: >11/12



AXOR Starck Organic
2-handle basin mixer for concealed installation wall-mounted with spout 187 mm
 Surfaces: **Chrome** Article Number: **12015000**



Spare part list

Year of production: >11/12

Pos.		Article Number	Price	PU
1	O-ring 11x2	98127000	-	1
2	O-Ring 30x2	98186000	-	1
3	hexagon socket screw M4x10	97661000	-	1
4	non return valve DW 10	96456000	-	1
5	O-ring 9x1,5	98117000	-	1
6	hexagon socket screw M5x40	97673000	-	1
7	escutcheon	98357000	-	1
8	cartridge, assy	98303000	-	1
9	nut	98913000	-	1
10	color-ring cold / hot water	98304000	-	1
11	handle fixing set	98932000	-	1
12	handle	98296000	-	1
13	O-ring 8x1,75	97827000	-	1
14	O-ring 11x2,5	98487000	-	1
15	shut off cartridge	98301000	-	1
16	spout cpl.	98297000	-	1
17	spray former	98299000	-	1
18	flow limiter (5 l/min)	95311000	-	1
19	aerator M24x1 (7 l/min)	98300000	-	1
20	special tool	95158000	-	1
21	extension set 28 mm	12918000	-	1
a	waste	50001000	-	1
b	concealed item	10902180	-	1