

AXOR Starck Organic
2-hole rim mounted thermostatic bath mixer
Surfaces: **Chrome** Article Number: **12422000**



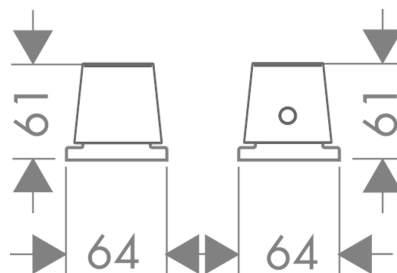
product features

- 2 functions
- safety lock at 40 °C
- temperature limitation adjustable
- suitable for remote spout
- connection type: basic set
- connection dimension: DN15

Product image



Scale drawing

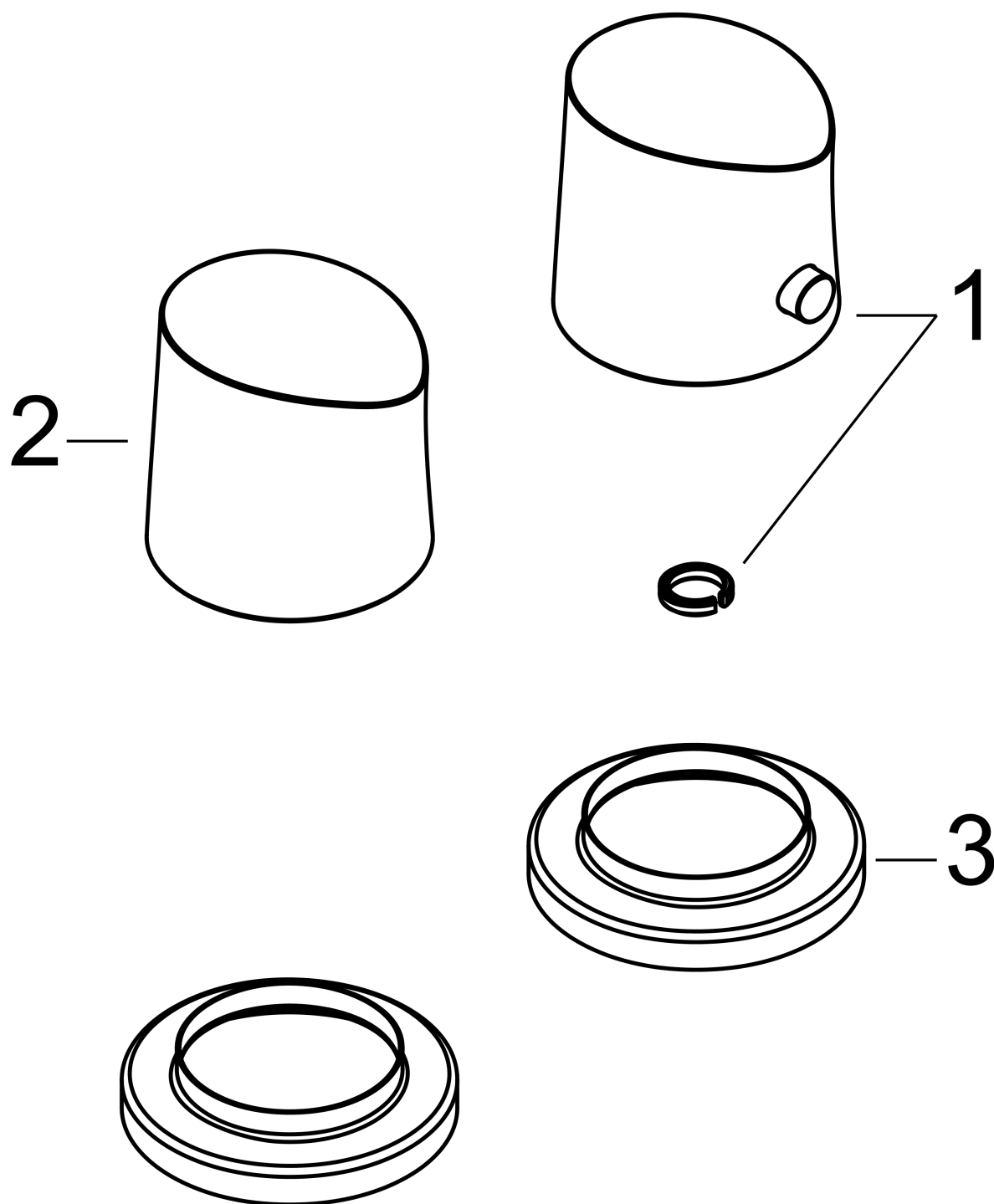


AXOR Starck Organic
2-hole rim mounted thermostatic bath mixer
Surfaces: **Chrome** Article Number: **12422000**



Exploded Drawing

Year of production: >11/12



AXOR Starck Organic
2-hole rim mounted thermostatic bath mixer
 Surfaces: **Chrome** Article Number: **12422000**



Spare part list

Year of production: >11/12

Pos.		Article Number	Price	PU
1	handle for thermostat	92120000	-	1
2	handle	98312000	-	1
3	escutcheon Ø 65 mm	98406000	-	1
4	escutcheon	21828000	-	1
a	concealed item	13550180	-	1