

**AXOR Urquiola**  
**3-hole rim mounted bath mixer**  
 Surfaces: **Chrome** Article Number: **11436000**



### product features

- projection 198 mm
- connection type: basic set
- spray type mixer: normal spray
- maximum flow rate at 3 bar: 25 l/min
- min. operating pressure: 1 bar
- max. operating pressure: 10 bar
- ceramic valves hot/ cold 90°
- connection dimension: DN15

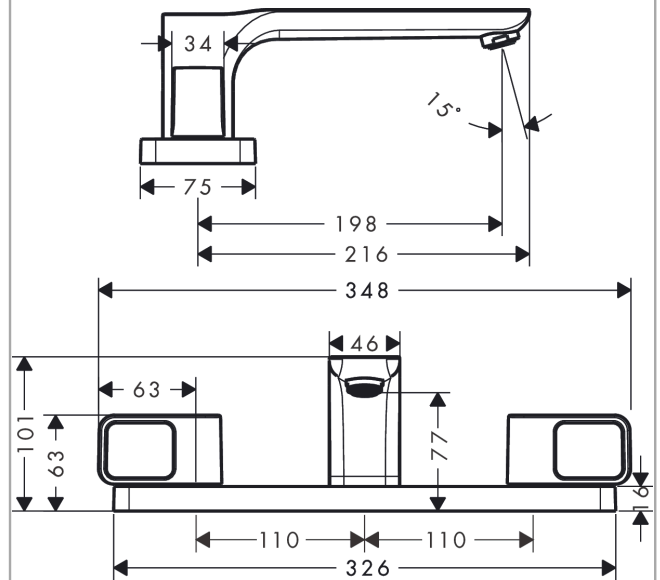
### Technology



### Product image



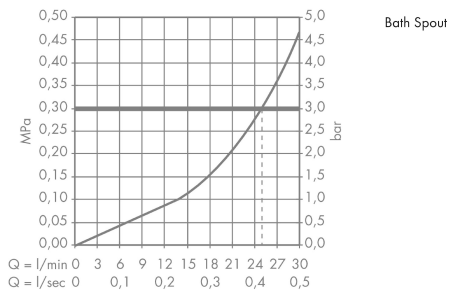
### Scale drawing



**AXOR Urquiola**  
**3-hole rim mounted bath mixer**  
Surfaces: **Chrome** Article Number: **11436000**



## Flowchart

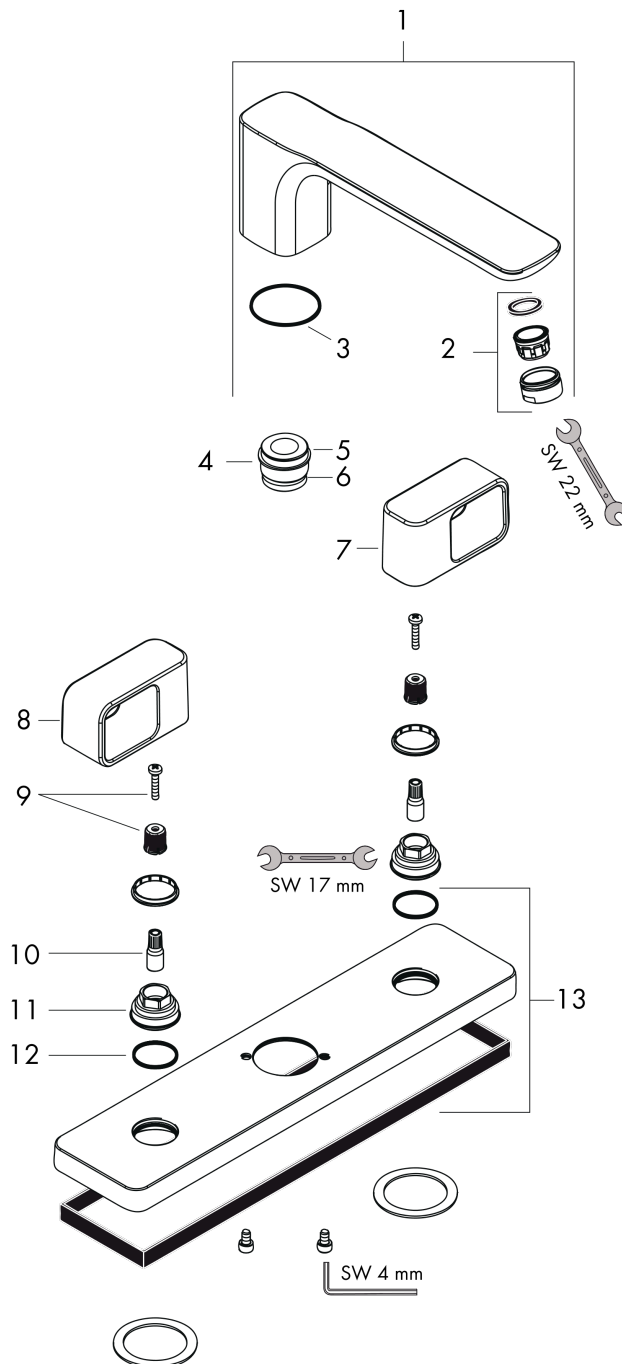


**AXOR Urquiola**  
**3-hole rim mounted bath mixer**  
Surfaces: **Chrome** Article Number: **11436000**



## Exploded Drawing

Year of production: >04/10



**AXOR Urquiola**  
**3-hole rim mounted bath mixer**  
 Surfaces: **Chrome** Article Number: **11436000**



## Spare part list

Year of production: >04/10

Pos.		Article Number	Price	PU
1	spout cpl.	95613000	-	1
2	aerator M24x1 (30 l/min)	96512000	-	1
3	O-ring 39x1,5	98400000	-	1
4	adapter for spout	88512000	-	1
5	O-Ring 23x2,5	98183000	-	1
6	O-ring 21x2,5	98211000	-	1
7	handle for cold water	11498000	-	1
8	handle for hot water	11497000	-	1
9	handle fixing set	98932000	-	1
10	adapter for handle	95615000	-	1
11	nut	95610000	-	1
12	O-ring 24x1,5	98434000	-	1
13	escutcheon	95619000	-	1
a	concealed item	13233180	-	1
b	concealed item	15484180	-	1