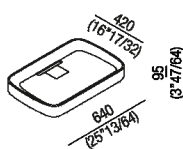




Wall-mounted, column-mounted or  
 overcountertop washbasin  
 ACER092\_

Marco Merendi, Diego Vencato, 2018

Cementoskin® washbasin ideal for indoor,  
 with different possible installations: fixed to  
 the wall or to the accessorised column or  
 placed on a wall mounted top.



**Finishes**

-  Cementoskin® brick red
-  Cementoskin® coffee
-  Cementoskin® dark grey
-  Cementoskin® green
-  Cementoskin® light grey

**Materials**

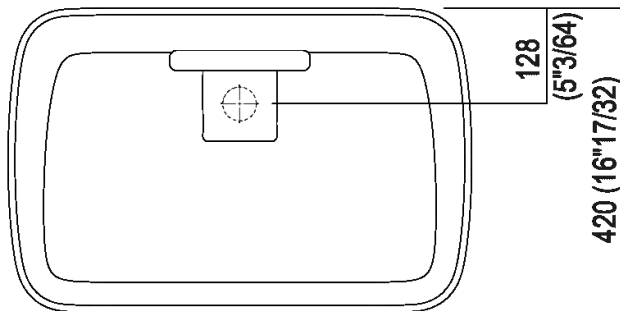
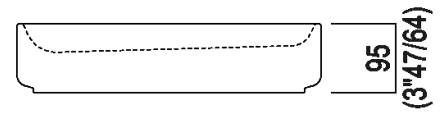
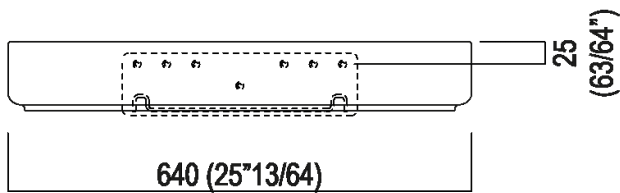
-  Concrete

Overcountertop washbasin without overflow in Cementoskin® (coloured concrete paste) with a natural, velvety surface, available in different colours, designed for waste .MET0563.

|               |                 |                                   |
|---------------|-----------------|-----------------------------------|
| Height:       | 9.5 cm          | 3" 47/64 inches                   |
| Length:       | 64 cm           | 25" 13/64 inches                  |
| Weight:       | 18 kg           | 40 lbs                            |
| Depth:        | 42 cm           | 16" 17/32 inches                  |
| Packaging:    | 52 x 74 x 15 cm | 20" 4/8 x 29" 1/8 x 5" 7/8 inches |
| Total weight: | 25 kg           | 55 lbs                            |

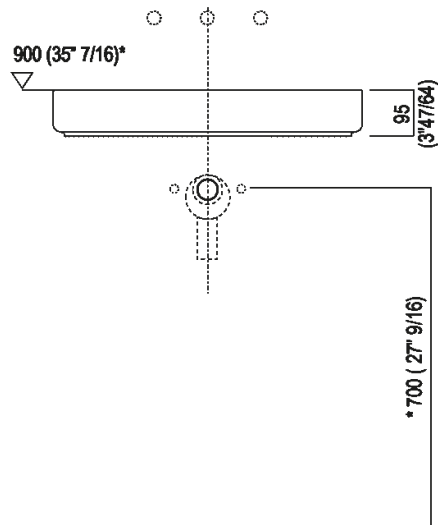


Main dimensions





Installation notes

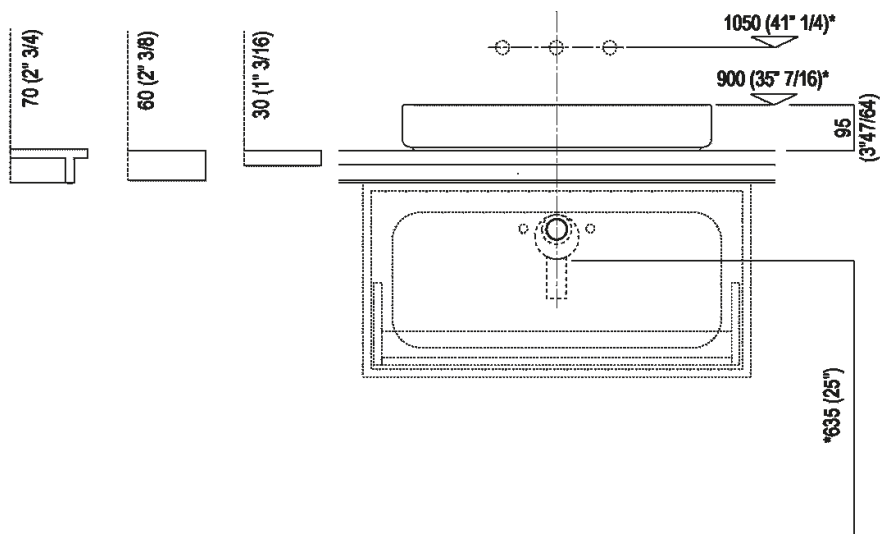


Scarico per sifone ad incasso e a bottiglia  
Drain for concealed waste trap and bottle trap

\*h.consigliata / advised h.



Installation notes: on countertop to be resede on cabinets

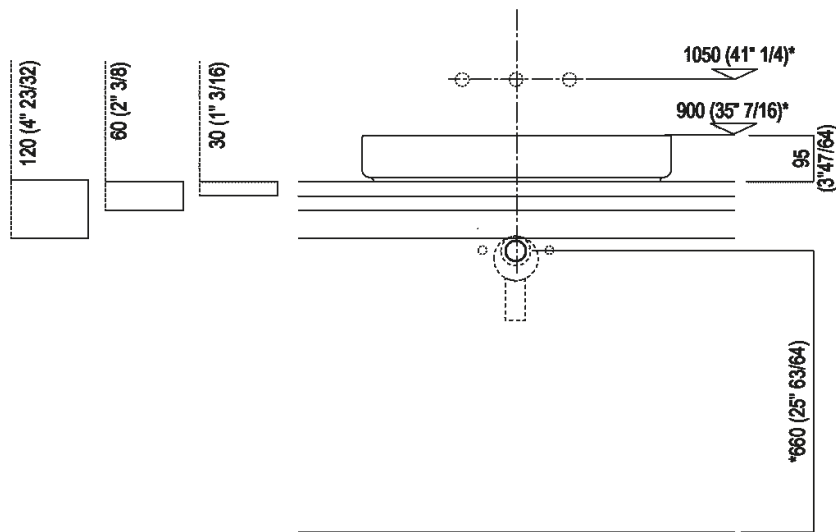


Scarico per sifone a bottiglia  
Drain for bottle trap

\*h.consigliata / advised h.



Installation notes: on self-bearing countertop

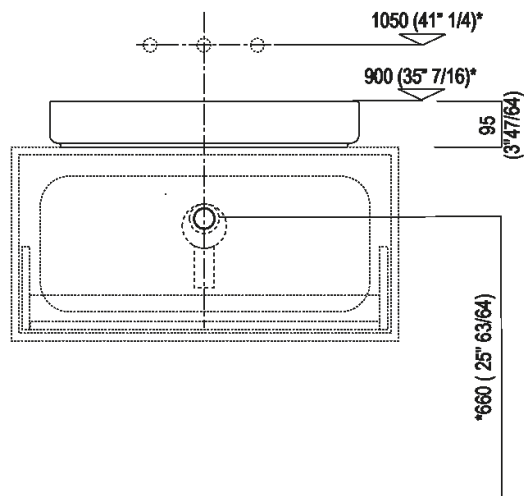


Scarico per sifone a bottiglia e ad incasso  
 Drain for bottle trap and concealed waste trap

\*h.consigliata / advised h.



Installation notes: on casing H 40 cm Lato

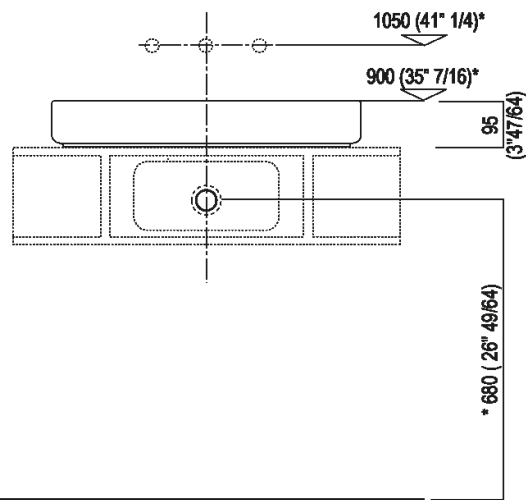


Scarico per sifone a bottiglia  
Drain for bottle trap

\*h.consigliata / advised h.



Installation notes: on casing H 20 cm Lato

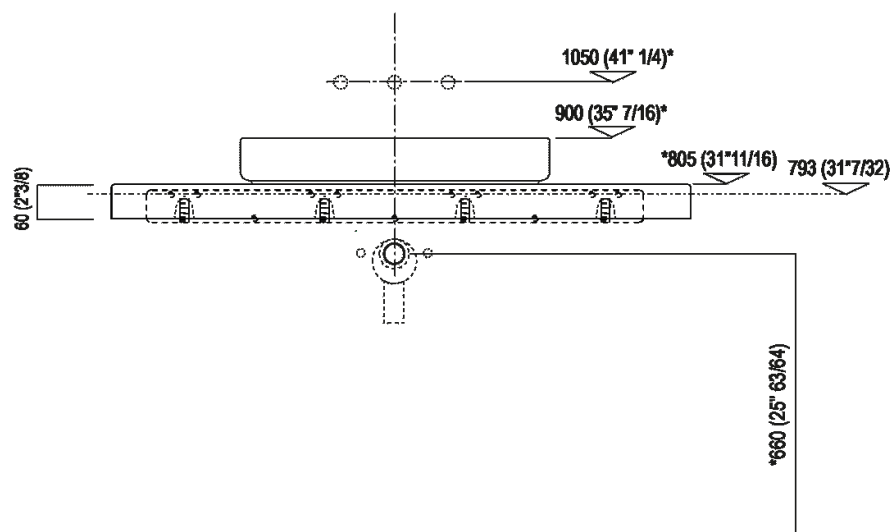


Scarico per sifone a bottiglia  
Drain for bottle trap

\*h.consigliata / advised h.



Installation notes: on countertop Petra ACER093



Scarico per sifone a bottiglia e ad incasso  
 Drain for bottle trap and concealed waste trap

\*h.consigliata / advised h.





Holes for countertop washbasins and top mounted taps for top

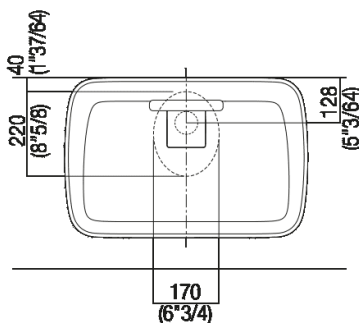
**PIANO cm 50 / COUNTERTOP cm 50**

Posizione standard per rubinetto su piano  
 Standard position for top mounted tap

Posizione standard per rubinetto a parete  
 Standard position for wall mounted tap

Posizione speciale per rubinetto Sen a parete e Square con bocca curva  
 Special position for wall mounted tap Sen and Square white curved spout

RUBINETTO SU PIANO NON  
 POSSIBILE  
 TOP MOUNTED TAP NOT  
 POSSIBLE



NON NECESSARIA  
 NOT NECESSARY



**Tap position, recommended height**

**POSIZIONE RUBINETTERIA / TAP POSITION**

Altezza consigliata / Recommended height

