

# Papilio

BEDS

2013

Naoto Fukasawa



## Description

---

The single-material Papilio bed, available in five sizes, stands out for its continuous line and attractive proportions. Upholstered either in fabric or in leather, Papilio features the same clean lines as the armchairs of the same name, though with slightly less conical sides. The mattress is placed almost flush with the perimeter to enhance the overall sense of rigour.

## Technical information

---

**Internal frame**

tubular steel and steel profiles

**Internal frame upholstery**

Bayfit® flexible cold shaped polyurethane foam, polyester fibre cover

**Feet**

steel and plastic material

**Support crosspiece for slatted base**

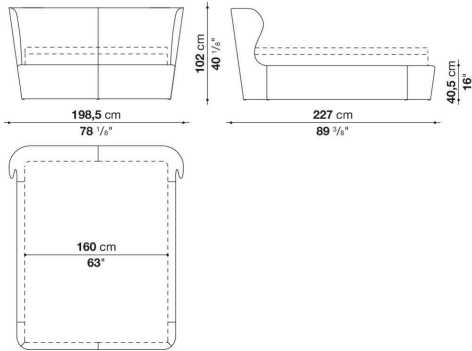
tubular steel

**Cover**

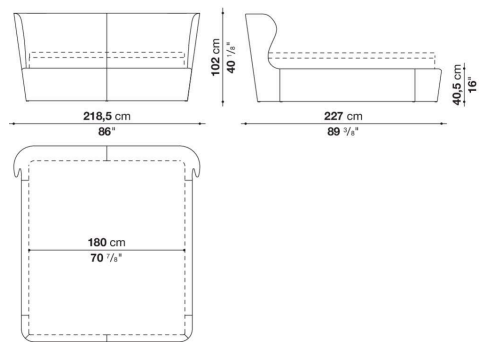
fabric or leather in limited categories

# Technical drawings

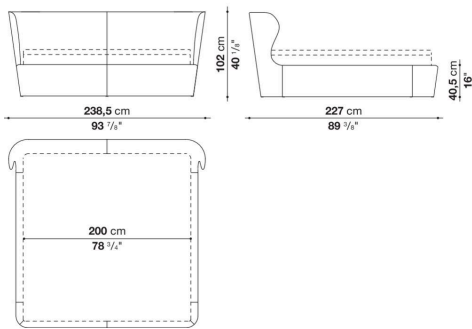
**LP160**



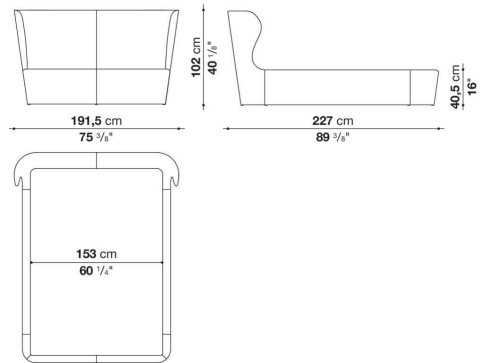
**LP180**



**LP200**



**LP153**



**LP193**

