

AXOR Starck Organic
Pillar tap 50 without waste set
 Surfaces: **Chrome** Article Number: **12110000**



product features

- ComfortZone 50
- projection: 109 mm
- spray type: shower spray
- maximum flow rate at 3 bar: 3,5 l/min
- flow rate booster: 5 l/min
- ceramic valve for volume control
- with isolated water conduction - without contact with nickel and lead
- suitable for continuous flow water heaters
- for cold water connection
- connection type: G ¾ connection hose
- connection dimension: DN15

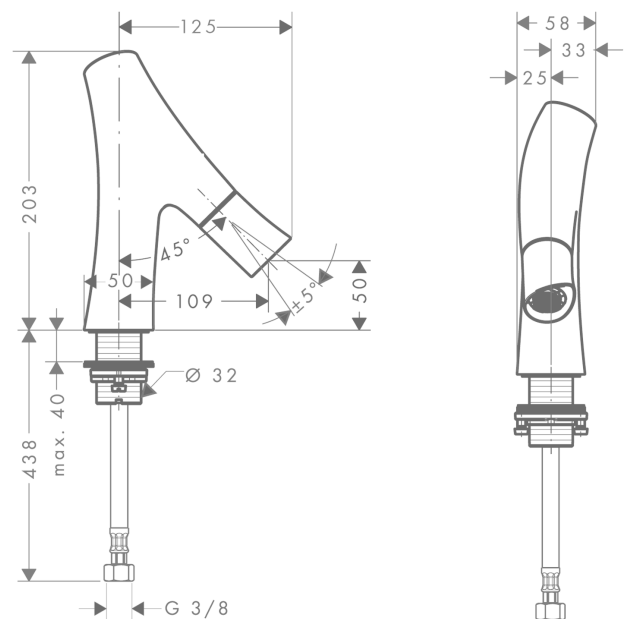
Technology



Product image



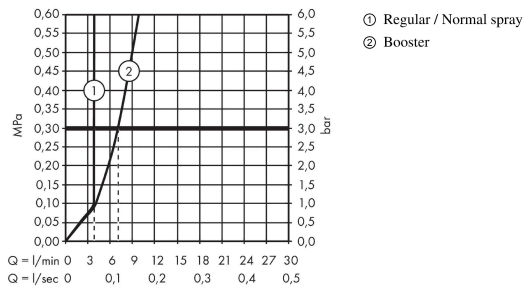
Scale drawing



AXOR Starck Organic
Pillar tap 50 without waste set
 Surfaces: **Chrome** Article Number: **12110000**



Flowchart

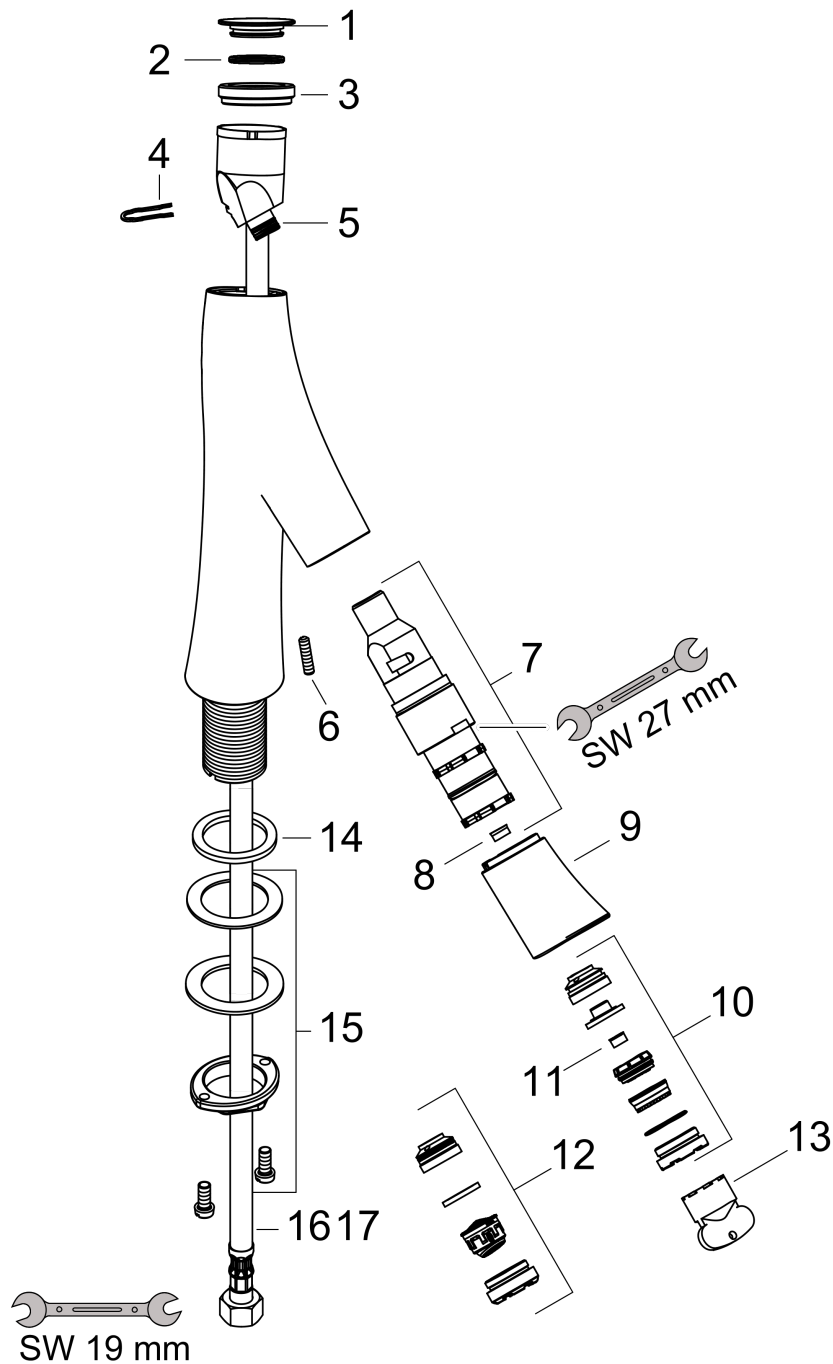


AXOR Starck Organic
Pillar tap 50 without waste set
Surfaces: **Chrome** Article Number: **12110000**



Exploded Drawing

Year of production: >11/12



AXOR Starck Organic
Pillar tap 50 without waste set
 Surfaces: **Chrome** Article Number: **12110000**



Spare part list

Year of production: >11/12

Pos.		Article Number	Price	PU
1	cover	98306000	-	1
2	O-Ring 22x2	98185000	-	1
3	locking screw	98307000	-	1
4	cramp	98403000	-	1
5	O-ring 11x1,5	98385000	-	1
6	hollow set screw M5x16	98404000	-	1
7	shut off cartridge	98302000	-	1
8	flow limiter (3,5 l/min)	98405000	-	1
9	spout cpl.	98297000	-	1
10	spray former	98299000	-	1
11	flow limiter (5 l/min)	95311000	-	1
12	aerator M24x1 (7 l/min)	98300000	-	1
13	special tool	95158000	-	1
14	flat seal	98749000	-	1
15	fixing set (Ø 32)	13961000	-	1
16	connection hose 600 mm M8x0,75 G3/8	95664000	-	1
17	O-ring 7x1,5	98422000	-	1
a	fixation extension 35 mm	13898000	-	1