



Round table made entirely of solid wood, with top in glued lists and central turned leg in vulcano cedar.

STANDARD VERSION: BASE IN CEDARWOOD VULCANO FINISH

CODE	SIZE	A1	A2	A3	A4
PANDANUS WOOD 1	Ø 140 x H.75	■	■	■	■
PANDANUS WOOD 2	Ø 160 x H.75	■	■	■	■
PANDANUS WOOD 3	Ø 180 x H.75	■	■	■	■

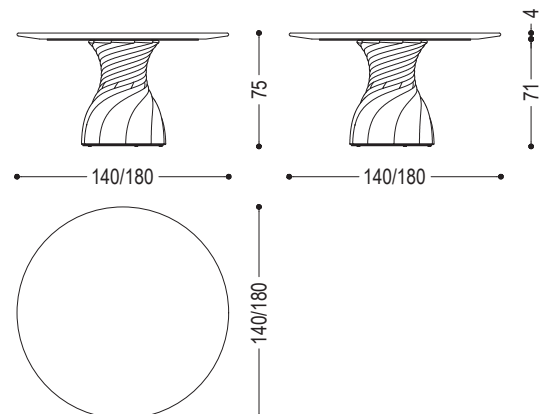
AVAILABLE FINISHES:

A1: walnut with knots

A2: oak with knots

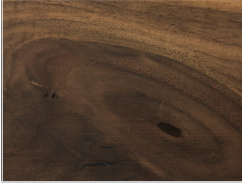
A3: oak with knots finish: whitened, mystic black, vintage, neutro

A4: oak with knots pigmented: ash grey, white milk, total black



WOOD

A1



walnut with knots

A2



oak with knots

A3



oak with knots finish:
whitened



oak with knots finish:
mystic black



oak with knots finish:
vintage



oak with knots finish:
neutro

A4



oak with knots pigmented:
ash grey



oak with knots pigmented:
white milk



oak with knots pigmented:
total black