

AXOR Starck Organic
2-handle basin mixer 170 for wash bowls with waste set
 Surfaces: **Chrome** Article Number: **12012000**



product features

- consists of: 2-handle basin mixer, waste set
- ComfortZone 170
- projection: 116 mm
- spray type: shower spray
- maximum flow rate at 3 bar: 3,5 l/min
- flow rate booster: 5 l/min
- ceramic cartridge for temperature control
- ceramic valve for volume control
- temperature limitation adjustable
- separation of temperature and volume control
- with isolated water conduction - without contact with nickel and lead
- suitable for continuous flow water heaters
- non-closing waste set
- connection type: G 3/8 connections
- connection dimension: DN15

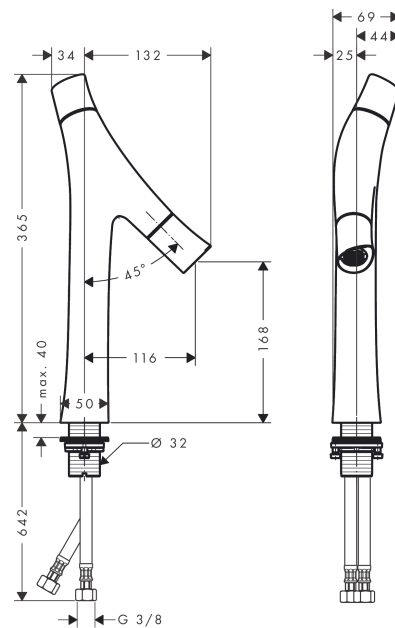
Technology



Product image



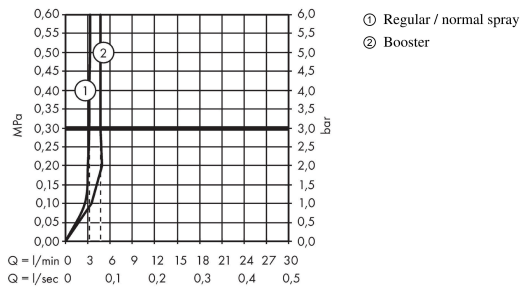
Scale drawing



AXOR Starck Organic
2-handle basin mixer 170 for wash bowls with waste set
 Surfaces: **Chrome** Article Number: **12012000**



Flowchart

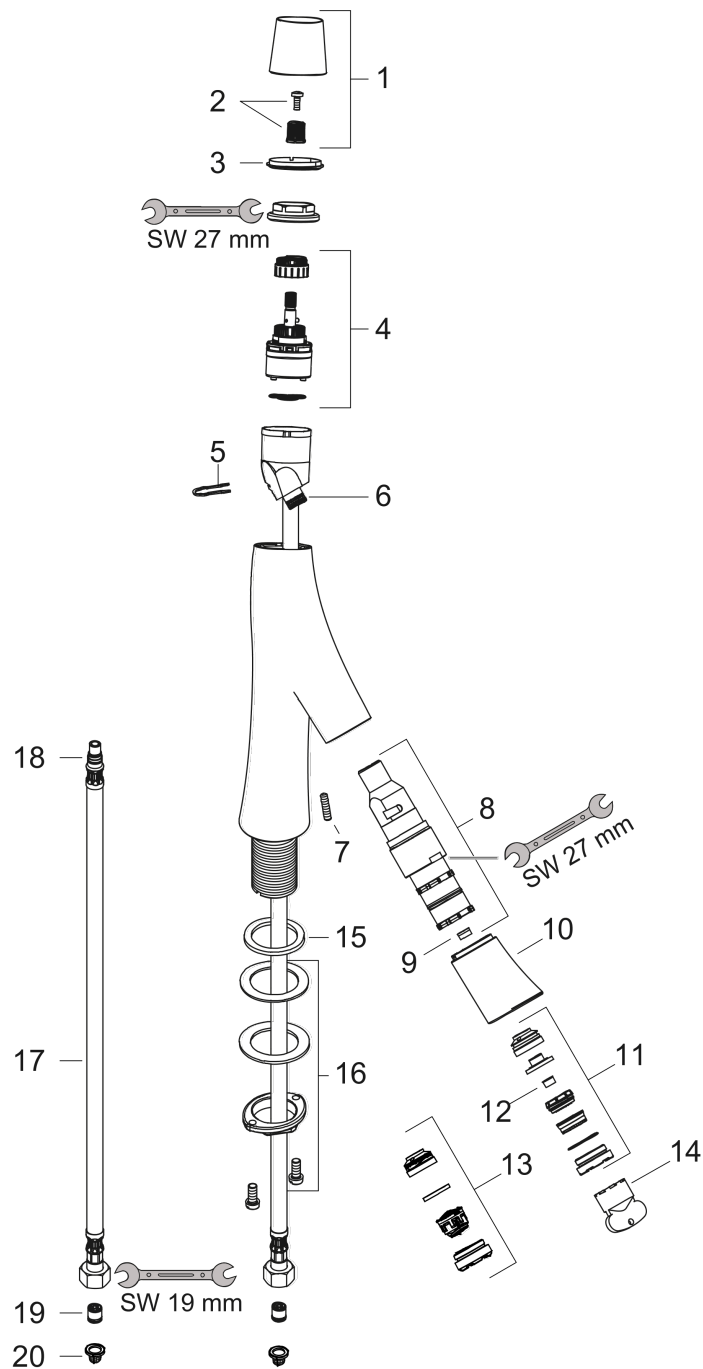


AXOR Starck Organic
2-handle basin mixer 170 for wash bowls with waste set
 Surfaces: **Chrome** Article Number: **12012000**



Exploded Drawing

Year of production: >11/12



AXOR Starck Organic
2-handle basin mixer 170 for wash bowls with waste set
 Surfaces: **Chrome** Article Number: **12012000**



Spare part list

Year of production: >11/12

Pos.		Article Number	Price	PU
1	handle	98296000	-	1
2	handle fixing set	98932000	-	1
3	color-ring cold / hot water	98304000	-	1
4	cartridge, assy	98303000	-	1
5	cramp	98403000	-	1
6	O-ring 11x1,5	98385000	-	1
7	hollow set screw M5x16	98404000	-	1
8	shut off cartridge	98301000	-	1
9	flow limiter (3,5 l/min)	98405000	-	1
10	spout cpl.	98297000	-	1
11	spray former	98299000	-	1
12	flow limiter (5 l/min)	95311000	-	1
13	aerator M24x1 (7 l/min)	98300000	-	1
14	special tool	95158000	-	1
15	flat seal	98749000	-	1
16	fixing set (Ø 32)	13961000	-	1
17	connection hose 900 mm M8x0,75 G3/8	95372000	-	1
18	O-ring 7x1,5	98422000	-	1
19	non return valve DW 10	96456000	-	1
20	filter packing	95291000	-	1
a	waste	50001000	-	1
b	fixation extension 35 mm	13898000	-	1