

Dambo

SOFAS

2023

Piero Lissoni

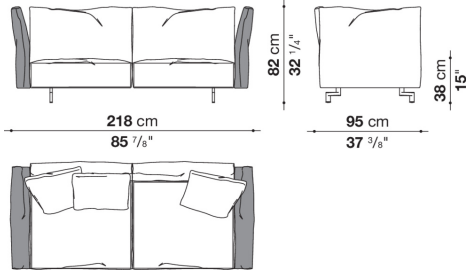


Description

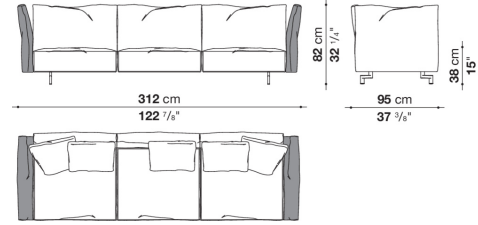
Dambo is the third sofa system that Piero Lissoni has designed for B&B Italia. It's a modular system composed of irregular pentagons and rectangular modules that combines more complex geometric shapes with linear elements and lends itself to multiple compositions and environments. The pentagonal base elements, with their large dimensions and great flexibility, can be used as peninsulas when combined with other elements or as free-standing monoliths. They are cozy volumes to be placed in the middle of a room, to craft corner solutions or to create customized compositions. The high, enveloping backrests are a hymn to the organic forms of the botanical world. The armrests resemble petals thanks to a front movement that allows them to be lowered and adjusted as desired. There are five basic elements, characterized by a cozy softness and plush ergonomics. The different geometries are in harmony with each other, informal yet functional and versatile. The entire series boasts a cold-foamed construction system with state-of-the-art upholstery. Backrests and armrests are attached to the base structure by means of a bayonet coupling system. The small feet, with their discrete and essential design, have an elegant oval section. What emerges is lightness but also versatility, in line with the contemporary lifestyle dictates increasingly merging living spaces and home office corners. Dambo thus lends itself to a wide audience, faithful to the B&B Italia tradition, but with an eye on the art of modern living.

Technical drawings

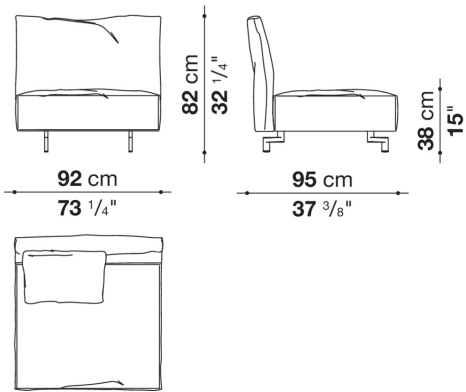
DM218



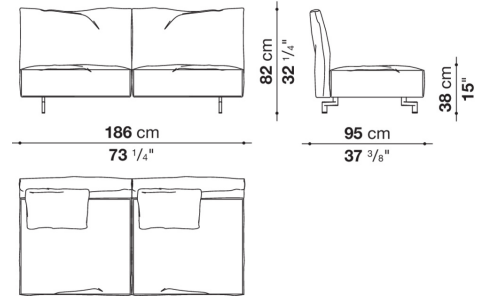
DM312



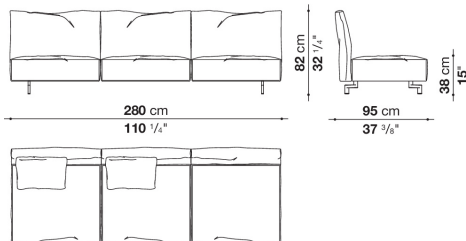
DM92C



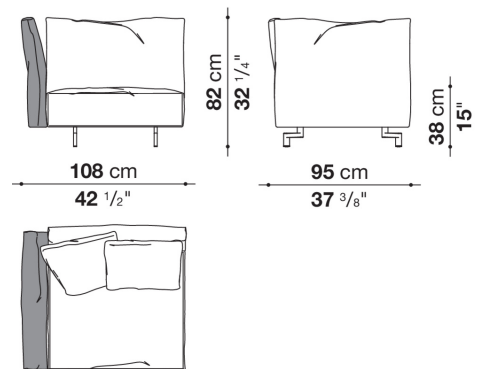
DM186C



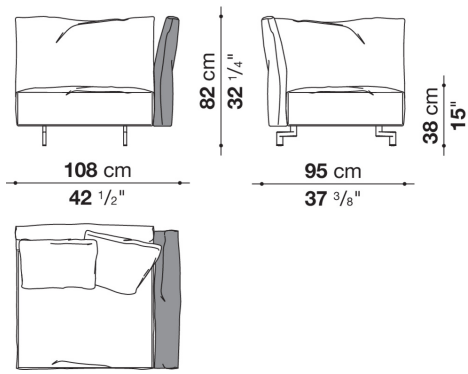
DM280C



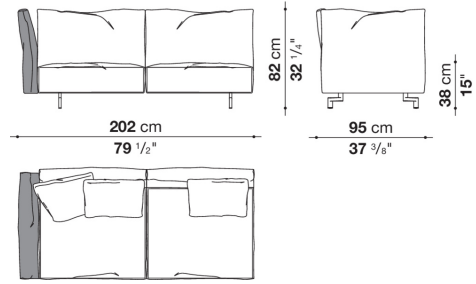
DM108S



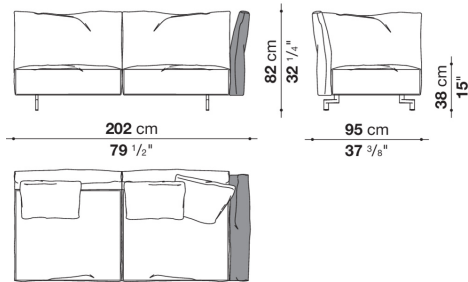
DM108D



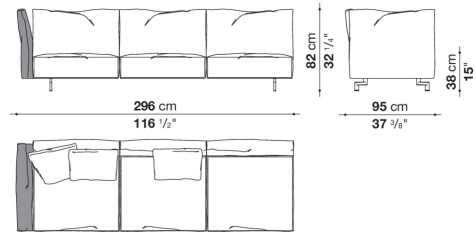
DM202S



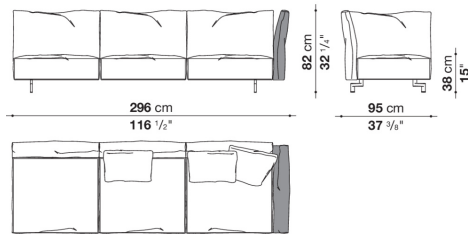
DM202D



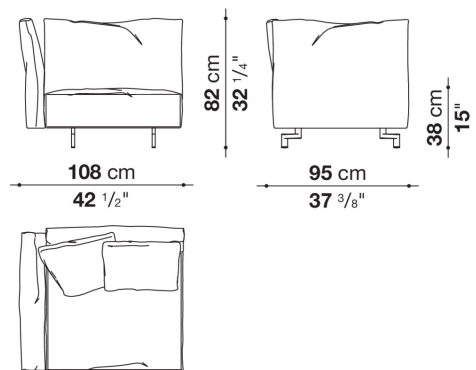
DM296S



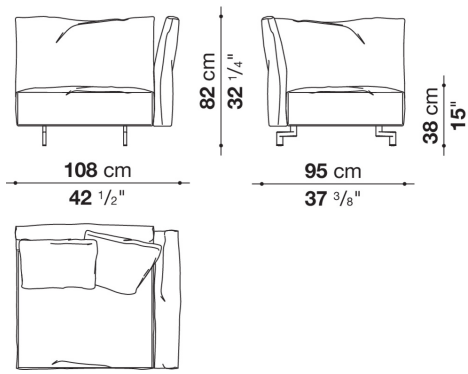
DM296D



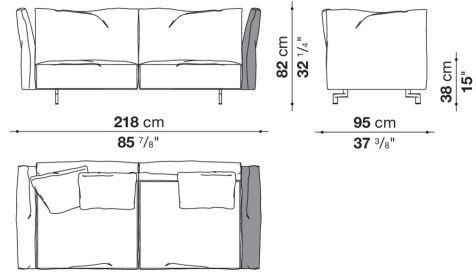
DM108AS



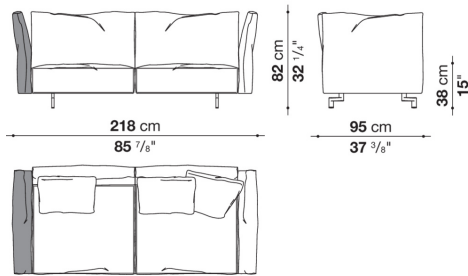
DM108AD



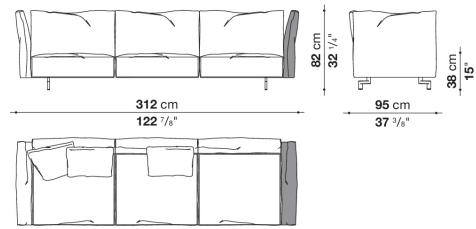
DM218AS



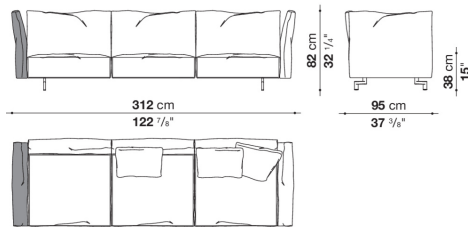
DM218AD



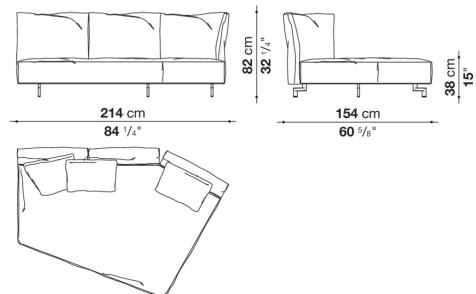
DM312AS



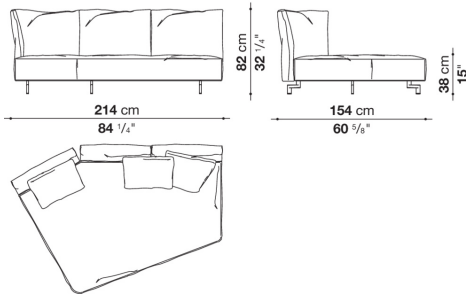
DM312AD



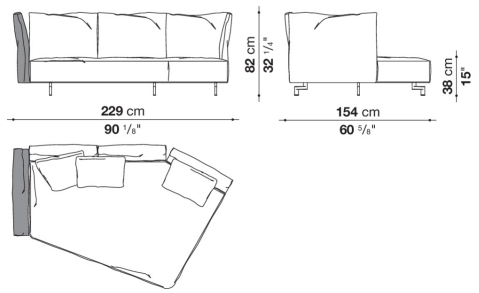
DM154LS_1



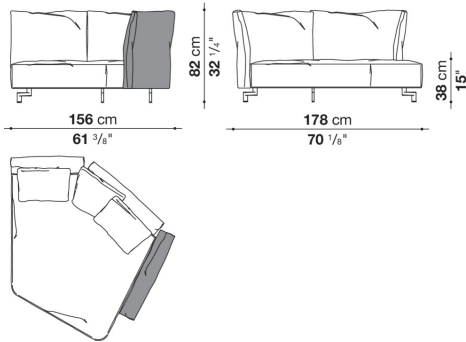
DM154LD_1



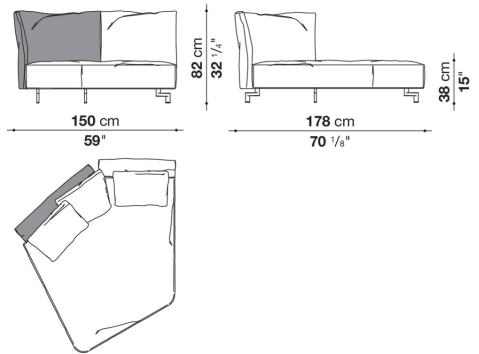
DM154LS_2



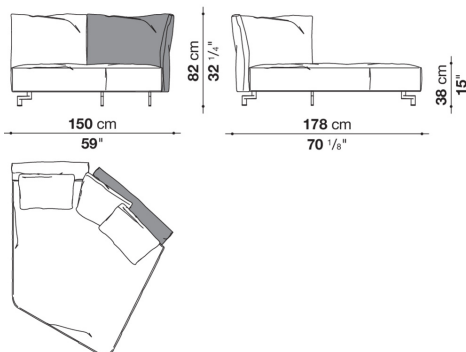
DM178LD_2



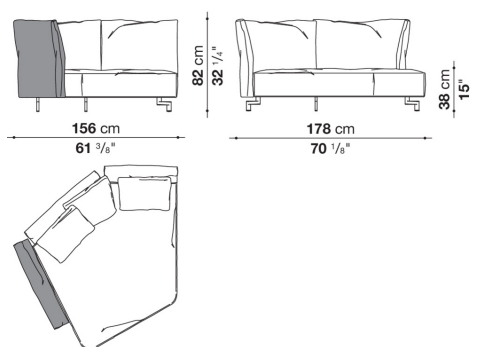
DM178LS_1



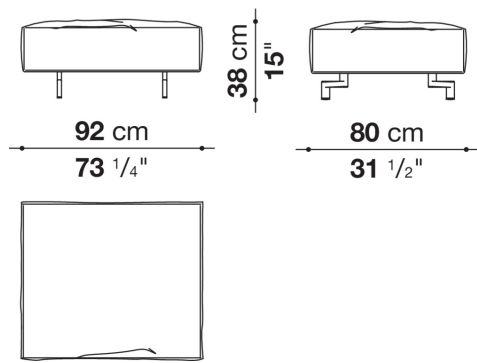
DM178LD_1



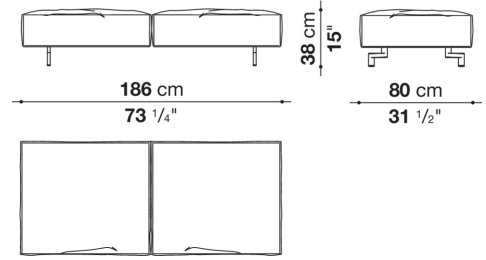
DM178LS_2



DM92P



DM186P



DM280P

