

# Canasta

SOFAS

2007

Patricia Urquiola



## Description

---

Vienna straw, with its geometric decorative pattern, is the inspiration behind Canasta. Enlarged to macro proportions, the design is applied to chairs with a striking effect. The sofas, available in circular and in-line versions, are characterised by ribbons in polyethylene fibre woven on aluminium frames painted with polyester powder to make them weather resistant. Classic in style but with a contemporary sense of plasticity, Canasta is a hyper-decorative collection, ideal for use at the edge of a swimming pool or in a luxuriant garden. In addition to sofas, the family also includes armchairs and small tables in various sizes.

## Technical information

---

**Frame**

aluminium or steel with polyester powder painting

**Interlacing**

polyethylene fibre

**Seat cushion (CN190B-CN226B)**

shaped polyurethane, cover in water repellent polyester fibre (with heat-sealed ribbon)

**Seat cushion (CN160P1)**

shaped polyurethane, cover in water repellent polyester fibre

**Back cushion**

polyester fibre, cover in water repellent polyester fibre

**Canopy frame (CN160P1C)**

glass fibre

**Canopy mechanism (CN160P1C)**

electro polished steel, anodized aluminium

**Canopy cover (CN160P1C)**

Batik fabric

**Wheels (CN160P1W)**

plastic material, elastomeric polyurethane, electro polished stainless steel pin

**Ferrules**

thermoplastic material

**Waterproof cover cloth**

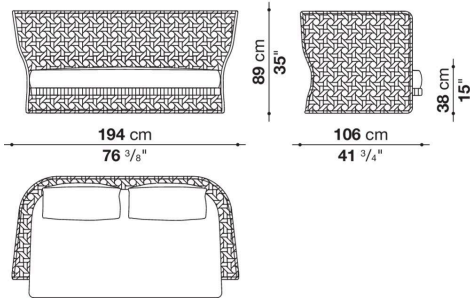
PES fabric coated on one side in PU

**Cover**

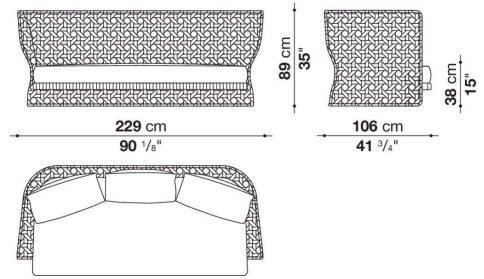
fabric in limited categories

# Technical drawings

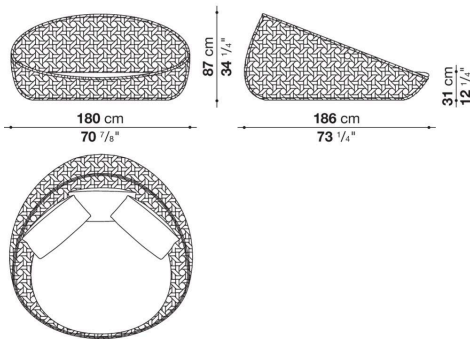
**CN190B**



**CN226B**



**CN160P1**



**CN160P1  
CN160P1W  
CN160P1C**

